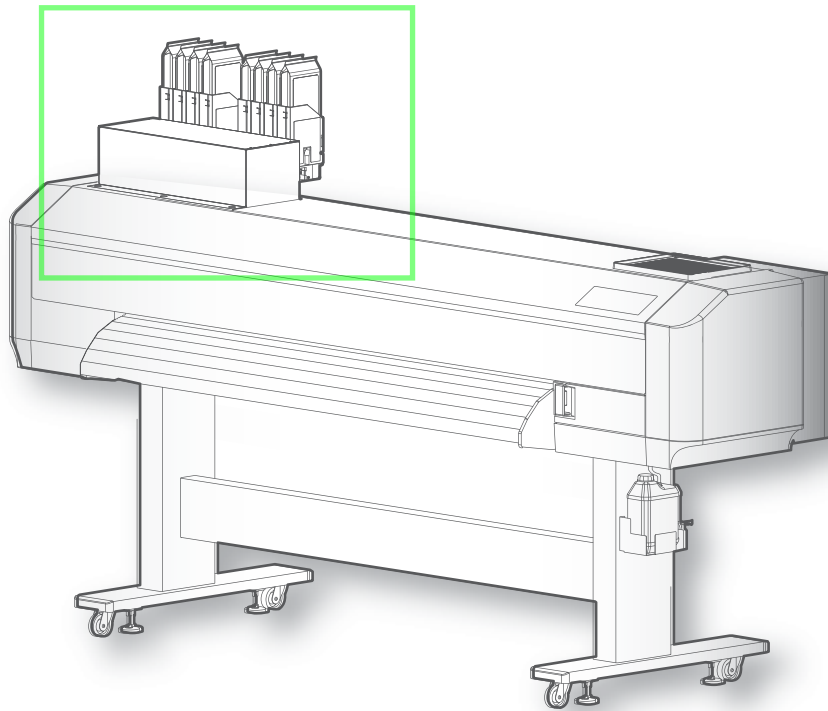


XPJ-1682D

Operation Manual

Operations and Maintenance Methods



-
- Unauthorized copying or duplication of the whole or part of the contents of this manual is prohibited.
 - Every care has been taken in writing the contents of this manual, but please contact MUTOH or the dealer you purchased the product from if you find any unclear, erroneous or otherwise unsatisfactory content in the manual.
 - Please be aware that MUTOH will not be liable in any way for failures or accidents that result from handling or operating the printer according to any procedures other than those set forth in this manual.
 - Company names and product names that appear in this manual are registered trademarks of the respective companies.

For Users in Europe



The CE marking is a mandatory European marking for certain product groups to indicate conformity with the essential health and safety requirements set out in European Directives.

By affixing the CE marking, the manufacturer, his authorized representative, or the person placing the product on the market or putting it into service ensures that the item meets all the essential requirements of all applicable EU directives and that the applicable conformity assessment procedures have been applied.

For Users in the United States

This equipment has been tested and found to comply with the limits for a Class A digital device, pursuant to Part 15 of the FCC Rules.

These limits are designed to provide reasonable protection against harmful interference when the equipment is operated in a commercial environment.

This equipment generates, uses, and can radiate radio frequency energy and, if not installed and used in accordance with the instruction manual, may cause harmful interference to radio communications.

Operation of this equipment in a residential area is likely to cause harmful interference in which case the user will be required to correct the interference at his own expense.

Installation Location Requirements

This equipment is not suitable for use in locations where children are likely to be present.

Chapter 1 Basic Operations

Introduction	9
Main components of your printer	9
Connecting to a Computer.....	12
System configurations of this product.....	14
Launching/Displaying/Exiting MUTOH Status Monitor (MSM)	15
Printing area	17
Media size.....	17
Precautions	19
Powering ON / OFF	21
Loading a roll media.	22
Load a roll media into the printer	22
Nozzle check and cleaning	31
Nozzle check	31
Cleaning	32
Calibrating your printer	33
Head alignment	33
Print quality calibration	35
Media feed adjustment	38
Advanced setting	39
Changing the Head Height	39
Changing holddown pressure using media feed lever.	40
Canceling or reducing pressure rollers individually	41
Operating from Front panel.	43
Feeding media	43
Pausing / Restarting printing.....	43
Canceling printing.....	44
Starting printing during warming up.....	44
Cutting media	45
Menus you can access while printing.....	46

Chapter 2 Advanced Operations

Introduction	53
Operating the keys to use the menus.....	53
Panel setup menu	55

Menu 1: Setup 59

Setup 1: User Type	59
Setup 2: Spitting	75
Setup 3: Side Margin	76
Setup 4: Media Initial	77
Setup 5: Media Width	77
Setup 6: Output Mode	77
Setup 7: Method of Cut	79
Setup 8: Origin	80
Setup 9: Prevent Stick menu	81
Setup 10: Standby Heating	81
Setup 11: Head Travel	81
Setup 12: Multi Strike	82
Setup 13: Strike Wait	82
Setup 14: Slant Check	82
Setup 15: Auto Cleaning	83
Setup 16: Ink Status	84
Setup 17: Roll Length	84
Setup 18: Exhaust Fan	86
Setup 19: Longstore	86
Setup 20: CR Maintenance	86
Setup 21: Initialization	87
Setup 22: Life Times	87
Setup 23: IP Address	88
Setup 24: Subnet Mask	88
Setup 25: Gateway	89
Setup 26: Header Dump	89
Setup 27: Heater Control	90
Setup 28: Start Feed	90
Setup 29: Alert Buzzer	91
Setup 30: Internal LED Lights	91
Setup 31: Front Interlace	91
Setup 32: Temporary	92

Menu 2: Test Print 93

Test Print 1: Nozzle Check F	93
Test Print 2: Mode Print	93
Test Print 3: Setup List	94
Test Print 4: Palette	94
Test Print 5: Adjust Head	95

Menu 3: Cleaning 98

Menu3: Cleaning	98
-----------------------	----

Menu 4: Menu Option 99

Menu4: Menu Option	99
--------------------------	----

Menu 5: System Info 100

Menu 6: Sleep Mode 101

Sleep Mode 1: Cleaning Setting	101
Sleep Mode 2: Start	102
Menu 7: Display	103
Display 1: Language	103
Display 2: Temperature	103
Display 3: Length	104
Menu 8: Job Status	104
Menu 9: Roll Length Manage	105
Roll Length Manage1: Print	106
Roll Length Manage2: Simple Print	106
Roll Length Manage3: Scan	107
Roll Length Manage4: Roll Length	108
Roll Length Manage5: Auto Scan	108
Menu chart	109
Setting menu 1	109
Setting menu 2	110
Setting menu 3	111
Menu during printing	112

Chapter 3 Maintenance

Maintenance	114
Agitating ink	115
Agitating ink	115
Checking ink and replacing ink bag	117
Checking ink level	117
When it becomes time to replace ink bag	118
Replacing ink bag	118
Emptying waste ink tank	121
Emptying waste ink tank	121
Cleaning	123
Head cleaning	123
Cleaning of cleaning wiper	126
Cleaning around the capping unit	129
Cleaning around the print head	131
Cleaning the color sensor	133
Inside cleaning	135
Replacing consumable parts	136

Replacing absorption material for the flushing box.....	136
Replacing Cutter	138
Replacing the cleaning wiper.....	140
Replacing Adapter's plug.....	142

Moving or transporting the printer..... 148

Moving the printer	148
Transporting the printer.....	149
Long-term storage	150
Performing initial charging after head cleaning	154

Chapter 4 Appendix

Messages and Error Messages 158

Status messages	158
Error message display and remedies	160
Error requiring restart	163

Troubleshooting..... 164

Installation and initial setup troubleshooting.....	164
Boot-up troubleshooting	165
Media-related troubleshooting	166
Printing-related troubleshooting	168
The media is jammed	172

Specifications of this product 175

List of specifications.....	175
-----------------------------	-----

Options / Supply list..... 178

Revision History 179

Chapter 1 Basic Operations

Introduction	9
Main components of your printer	9
Connecting to a Computer	12
System configurations of this product	14
Launching/Displaying/Exiting MUTOH Status Monitor (MSM)	15
Printing area	17
Media size	17
Precautions	19
Powering ON / OFF	21
Loading a roll media	22
Load a roll media into the printer	22
Nozzle check and cleaning	31
Nozzle check	31
Cleaning	32
Calibrating your printer	33
Head alignment	33
Print quality calibration	35
Media feed adjustment	38
Advanced setting	39
Changing the Head Height	39
Changing holddown pressure using media feed lever	40
Canceling or reducing pressure rollers individually	41
Operating from Front panel	43
Feeding media	43
Pausing / Restarting printing	43
Canceling printing	44
Starting printing during warming up	44
Cutting media	45
Menus you can access while printing	46

Introduction

Main components of your printer

Front side

Internal LED lights

The lights allow you to inspect inside of the printer or your print during printing.

Front cover

Open this cover when loading a roll media or removing a media jam. It is normally closed.

Front panel

⇒ Front panel P. 11

Media feed lever

Push the lever to lower the pressure rollers to keep the media flat while printing. Pull it to release the media. The holddown pressure can be changed between High and Normal using this lever.

Maintenance cover L

Open this cover for cleaning. It is normally closed.

Maintenance cover R

Open this cover for cleaning or replacing consumables. It is normally closed.

Media guide

Front media path that the heater is installed inside to dry the print.

Waste ink tank

Collect waste ink produced during printing and cleaning cycle. Empty the tank as needed.

Adjuster

Stand

Carriage

The print head is installed on the carriage.

Pressure rollers

Keep the media in place to ensure proper feeding. The holddown pressure can be individually reduced or canceled by slide lock levers on the pressure rollers.

Edge holder

Place it on the edge of the media to prevent media curl while printing. While not printing, slide them to the left and right side edges of the platen.

Media cut groove

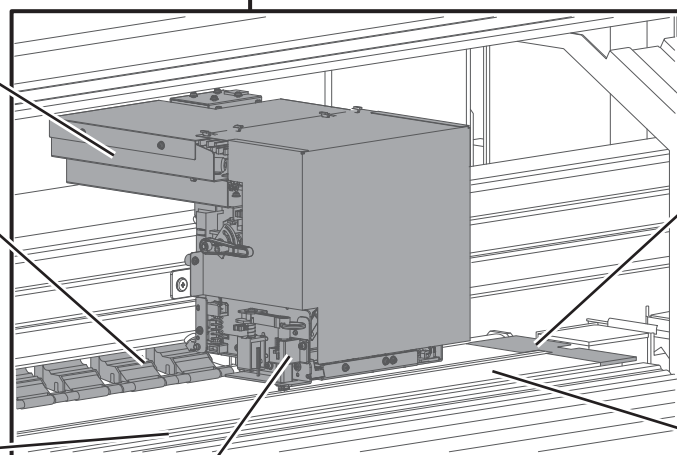
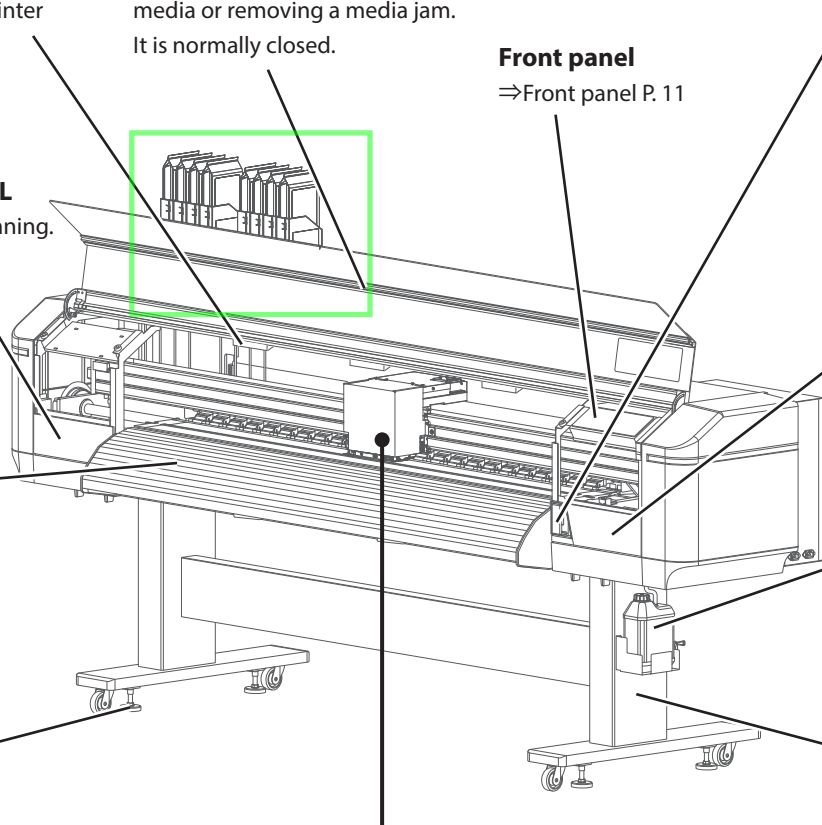
Manually cut the media along the groove.

Cutter

Automatically cut the media after printing.

Platen

Media is printed on here. There is an adsorption fan inside.



Rear side

Media feed lever

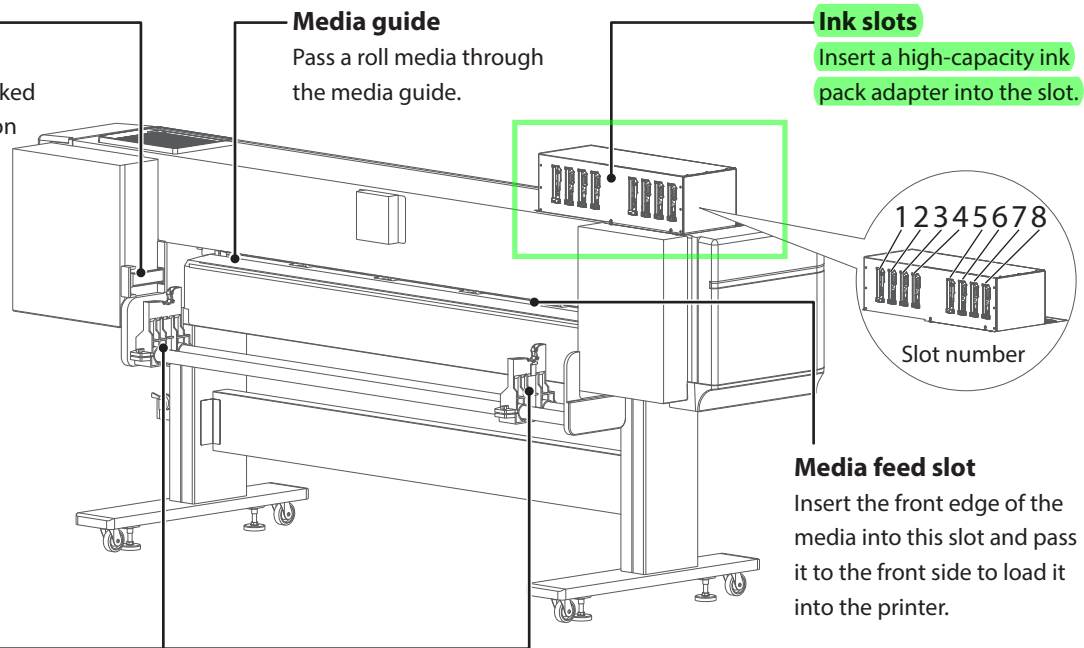
Hold down or release the media. This lever is interlocked with the media feed lever on the front side.

Media guide

Pass a roll media through the media guide.

Ink slots

Insert a high-capacity ink pack adapter into the slot.

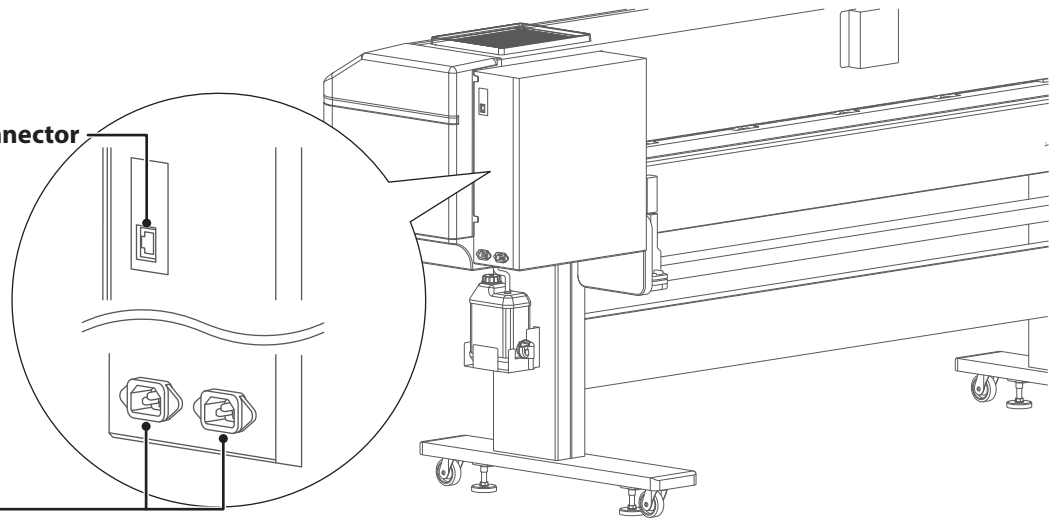


Roll media holder

Attach the media flanges to both ends of a roll media and load it onto the roll media holder.

Network interface cable connector

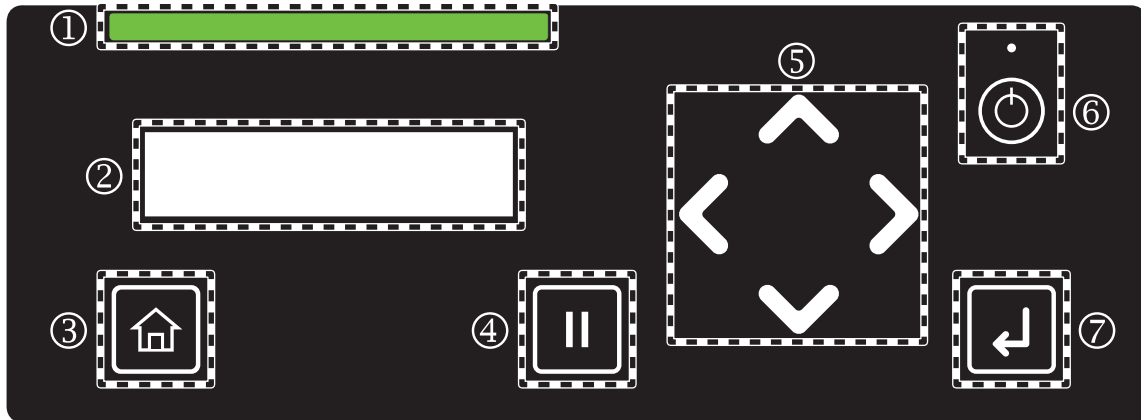
AC inlet



Front panel

The printer has a touch-screen panel located on the front right of the printer. The active keys are lit up on the panel for guidance.

- Tap: Lightly touch the key with your finger, then immediately release.
- Long-touch: Keep touching the key.



1 Status Bar

Indicates the printer status by LED light.

- Working normally: Solid green
- Error/Alert state: Solid red (error) or flash red (alert)

2 Display

Displays the printer status, setting menu, errors and so on.

3



[Home] key:
Access to or exit the menu.

4







[Cancel] key:

- Pause the print job. While pausing, tap the key again to resume printing.
- While the printer is not printing, tap the key to cut the media.





5



Arrow keys:
When you have entered the setup menu, the arrow keys are used to select a menu or enter a value.

-  key: Go to the previous item.
-  key: Return to the upper level menu without saving the change.
-  key: Go to the sub menu.
-  key: Go to the next item.

While the printer is in standby mode, it is used to feed media, run a **nozzle check F**, or perform head cleaning.

-  key: Feed the media backward. Long-touch to feed it with high speed.
-  key: Tap to run a **nozzle check F**.
-  key: Tap to perform cleaning.
-  key: Feed the media forward. Long-touch to feed it with high speed.


6



[Power] button:

- Long press to power on the printer. The Power LED (above the Power button) turns on with a solid white light.
- While the power is on, long press the button to power off the printer. In the Off state, the Power LED lights off.

 Note

The  symbol means “standby”. Even the Power LED turns off, the device still consumes some power unless the power cords are disconnected. This state is referred to as the power being “off” in this Manual.

7



[Enter] key:

Use the Enter key to select a menu or confirm a value.

- While the printer warms up, tap the Enter key to start printing immediately before fully warming up.

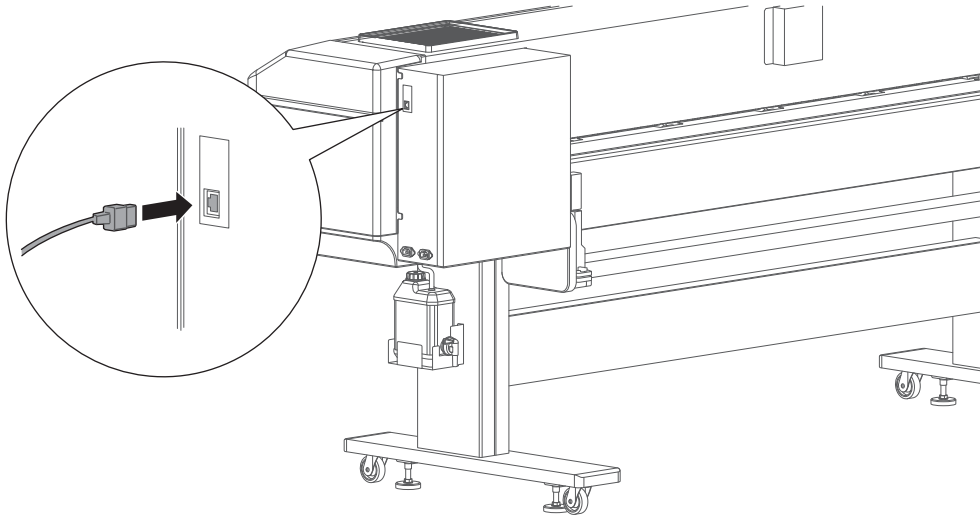
Connecting to a Computer

Important!

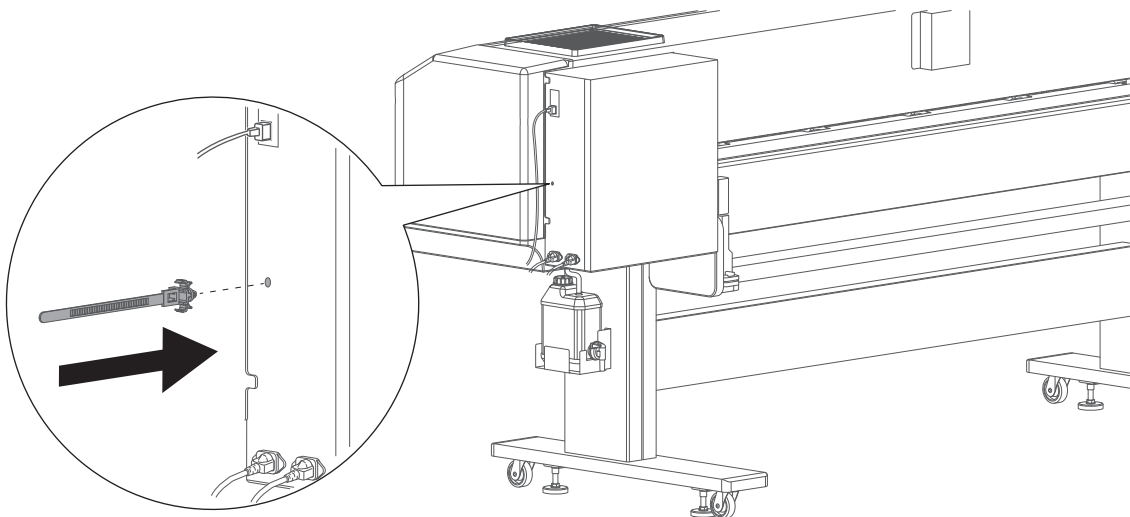
Make sure your computer meets the following requirements.

- OS: Windows 11, Windows 10, Windows 8.1
- CPU: Intel (R) Core (TM) i5 / i7
- Memory: 8GB minimum
- Network:
Use a network port that supports Gigabit Ethernet, and an Ethernet cable that supports Category 6 Gigabit Ethernet or later.

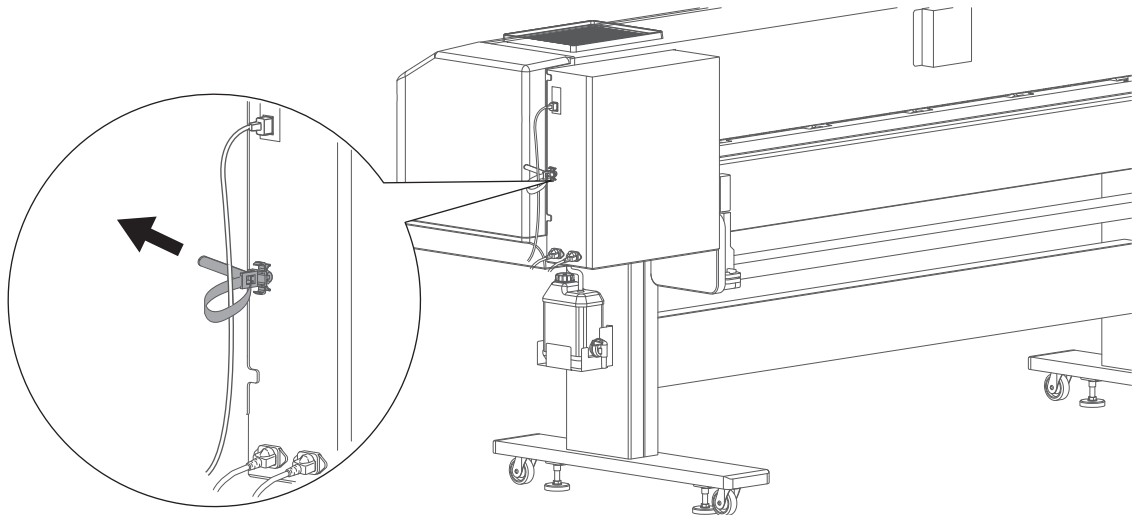
- [1] Connect the Gigabit Ethernet cable to the printer.



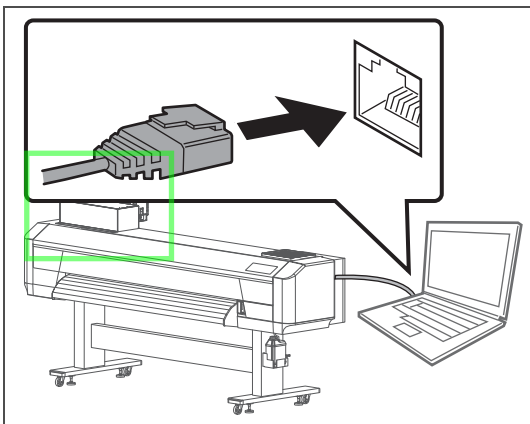
- [2] Insert the tip of the cable tie into the hole on the printer to attach it.



- [3] Use the cable tie to secure the Ethernet cable to the printer.



- [4] Connect the Gigabit Ethernet cable to the computer.



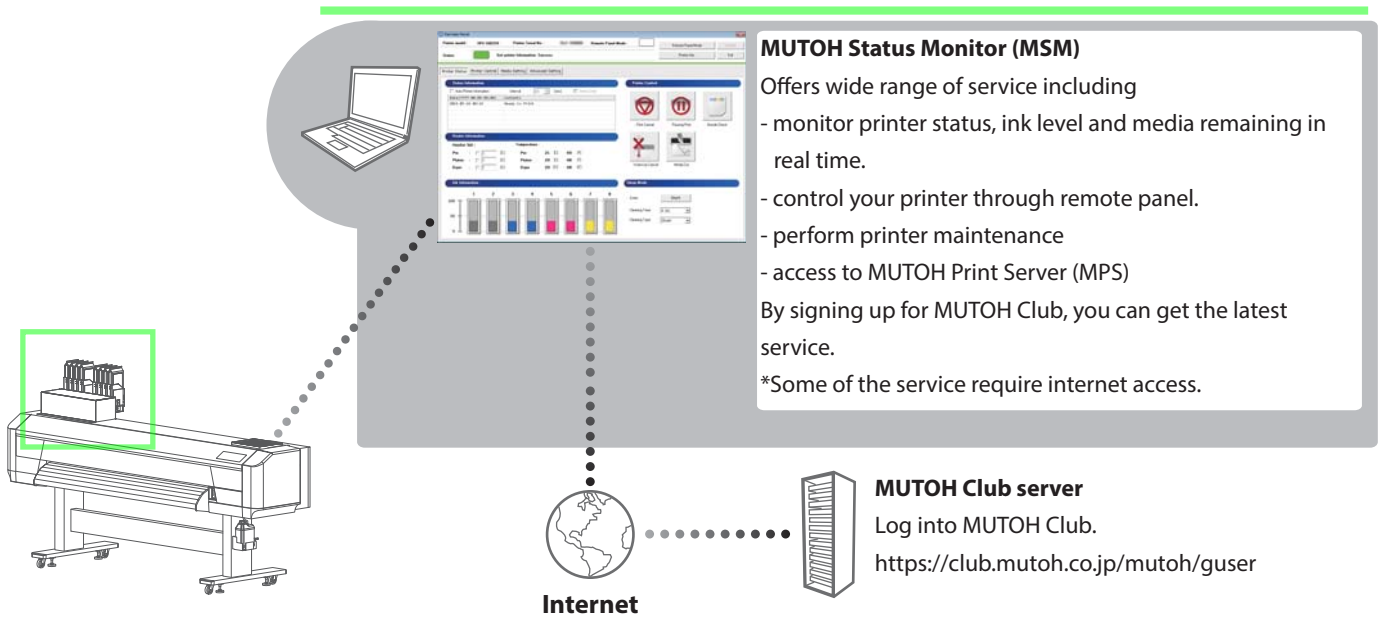
- [5] Use the front panel on the printer to assign the IP address, subnet mask and gateway.

 ["Setup 23: IP Address" P. 88](#), ["Setup 24: Subnet Mask" P. 88](#), ["Setup 25: Gateway" P. 89](#)

 **Note**

- The illustration above shows the peer-to-peer connection between this product and computer.
- If you are using the LAN connection, make sure that your printer and computer are on the same subnet.

System configurations of this product



*1 MUTOH Club

By signing up for MUTOH Club, it offers free useful contents including

- download the latest version of application, operation manual
- download media profile
- check printer information
(printer information uploaded through MSM can be viewed)

<Print Support Software>

To get the best out of this product, use the MUTOH Print Server (MPS) function available from MUTOH Status Monitor (MSM).

You can download the latest version of MSM from the MUTOH Club Server.

(To use MPS, specify the output port of RIP software to MPS.)

Launching/Displaying/Exiting MUTOH Status Monitor (MSM)

Launching MSM



Windows 11 / Windows 10

Double click the MSM icon on the Desktop.

Windows 8.1

- In the [Start] screen, click [Desktop].
- Double click the MSM icon on the Desktop.

Note

Launching from the Start Menu of Windows

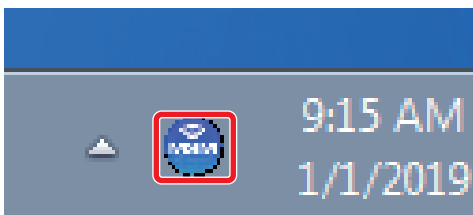
• Windows 11 / Windows 10

From the [Start] menu, click [All Programs] (or [All Apps]) - [MUTOH] - [MUTOH Status Monitor].

• Windows 8.1

Right click somewhere the [Start] screen tiles are not displayed to display the application bar, and click [All Apps].

Displaying MSM



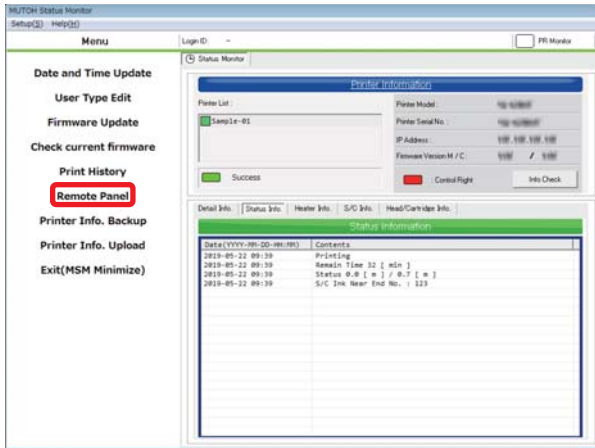
Double click the MSM icon in the task tray.

Displaying remote panel

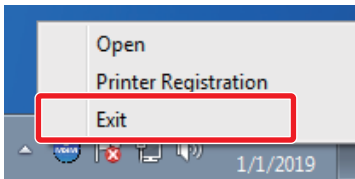
The remote panel allows you to view the printer status or remotely operate your printer.

Click [Remote Panel].

- The remote panel opens.



Exiting MSM



Right click the MSM icon in the task tray, and click [Exit].

Note

While using your printer, do not exit MSM. To close the MSM window, click [Settings] - [Close].

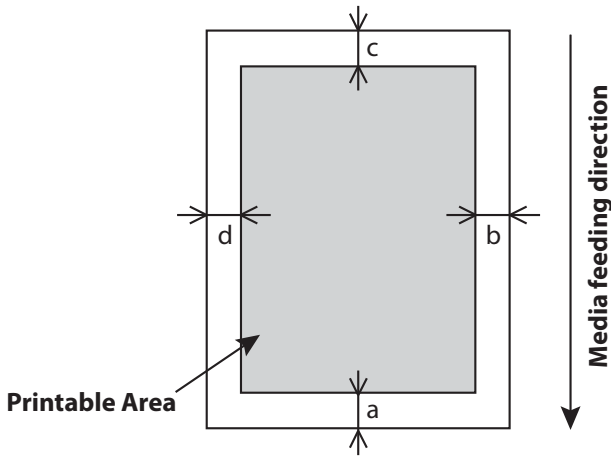
Windows 8.1

Click the Down Arrow in the [Start] screen.

Click [MUTOH Status Monitor].


Printing area

Printing is always started from Origin position (print start point) with following margin on all sides of a page as shown here.



a=5 mm *¹
b=5 mm to 25 mm
c=5 mm
d=5 mm to 25 mm

*¹ The value of "a" will be 15 mm in the following cases:

- Immediately after media initialization
- When feeding the media backward by using 

The value of "a" will be 40 mm in the following cases:

- When Media Initial menu is set to "Top&Width"
- After cutting the media

Media size

Media that meet the requirements below can be used on this printer.

Roll media diameter	150 mm maximum
Media core diameter	2 inches: 50 mm to 52 mm 3 inches: 75.5 mm to 79 mm
Weight	30 kg or less
Width	500 mm to 1,625 mm
Maximum thickness	2.8 mm (When the head height is set to "High")

Important!

The default head height is set to "Low".

In the "Low" setting, media up to 0.3 mm thick can be loaded on the printer.

Note

Contact your local MUTOH dealer about roll media recommended for your printer.

Cautions on handling media

Note the following points when handling the media.

- Use the media under an appropriate environment.
The appropriate temperature and humidity for printing are as follows.

Recommended Printing Environment	Temperature 22 to 30 °C Humidity 40 to 60%, No condensation
Change rate	Temperature: No more than 2 °C per 1 hour Humidity: No more than 5% per 1 hour

- Do not use media which is folded, cut, or torn.
- The size of media can change according to changes in humidity in the printing environment.
Before using media, leave media for 1 hour in the printing environment to adapt it to the environment.
Performing printing without adapting media to the printing environment may cause media jams due to gaps or wrinkles in the media. Print quality is also affected.
- When using the printer in a low-humidity environment, the cut media may stuck and may not come down. In such a case, open the front cover after the media is cut to remove the media.
- Do not touch the print side.
Moisture and oil on your hands may affect the print quality.
- Do not leave media set in the printer for a long time.
Some media has a tendency to bend, causing media jams and degradation of print quality.
Avoid using such media especially in winter, in dry conditions, and when printing formal documents.
- Do not discard the individual box and bag. Use them for storing media.

Precaution on storing media after use

When storing roll media after use, follow these precautions to avoid print defects caused by cockling.

- After removing your roll media from the scroller, wind it back onto the roll properly and put it in the original plastic bag. Then store it in the package it came in.
- Avoid high temperature, high humidity, and direct sunlight when storing media.
- Keep the media dry.

Precautions

Do not turn the power off

Use the printer with its power turned permanently on. When you are not using the printer, always leave the power on and put the printer into the sleep mode while not in use. In the sleep mode, the printer will periodically circulate the ink inside the printer and carry out head cleaning automatically. If you do not put the printer into the sleep mode, the ink inside the printer could settle out and/or coagulate, causing poor image quality or printer failure.



If you need to leave the printer unused for extended period of times (more than one month), please contact your local MUTOH dealer.

Agitate the ink bags

Before installing a new ink bag, invert the ink bag back and forth to agitate ink. Periodical ink agitation is also required when prompted on the operation panel. Otherwise, the ink inside the bags settles or coagulates and may cause poor print quality or a malfunction.

Please use this product at least once a week

If the printer is not used for a long time, the print head nozzles can get clogged causing damage to the printer.

Please handle ink bag carefully

- Before using an ink bag, make sure to read the Safety Data Sheet (SDS).
- Do not disassemble Ink bag.
Ink may come into contact with your eyes or skin, causing irritation or allergic reaction.
- **Wear protective equipment (gloves, goggles or eye protection, protective mask, protective clothing) when handling ink.**
- **Be cautious that ink does not get into your eye or make a contact with your skin.**
When ink gets into your eye or make a contact with your skin, wash with water immediately.
If left as it is, it may cause red eye or light inflammation. If it is necessary, please see your doctor immediately.
- DO NOT drop or hit an ink bag.
Ink may leak from the bag.
- Be sure to use the ink before it expires.
The expired ink should be disposed of as industrial waste. The empty ink bag should be put in a plastic bag and should be disposed of according to the local regulations.
- MUTOH strongly recommends to use genuine ink.
This printer is designed to bring out the best performance when using with the MUTOH genuine ink.
Non-MUTOH ink may cause print defects or damage to the printer.

Conduct periodic maintenance

This product requires regular user maintenance.

- Run a nozzle check before and after printing.
If nozzle missing is found, run a head cleaning.
- Clean the cleaning wiper and around the print head once a week.
- If you are not using the printer for an extended period*, run a head cleaning once a week.
If you may not be able to perform weekly head cleaning, perform [Longstore] (👉 ["Long-term storage" P. 150](#)).
*"Extended period" means one to four weeks.
- Clean inside of your printer once a month.
- Regularly check the waste ink tank and empty the tank as needed.

Some parts need to be replaced periodically

In this product, there are some parts required to be replaced after a long-term use.

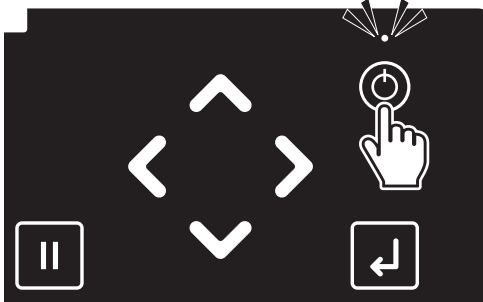
- User replaceable parts: Absorption material for the flushing box, Cutter, Cleaning wiper
- Parts required to be replaced by service personnel: Motors, Pumps, Print heads

Powering ON / OFF

Turning the power ON

[1] Close the front cover.

[2]



Long press the Power button.

- The Power LED (above the Power button) lights up.
- The printer will start mechanical initialization.



Note

Once the Power LED lights up, release the Power button.

Turning the power OFF

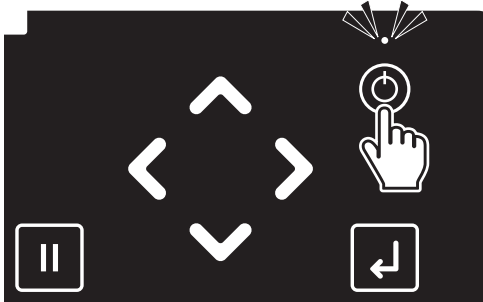
Important!

Use the printer with its power turned permanently on. When you are not using the printer, always leave the power on and put the printer into the sleep mode while not in use. If you do not put the printer into the sleep mode, the ink inside the printer could settle out and/or coagulate, causing poor image quality or printer failure.

["Sleep Mode 2: Start" P. 102](#)

[1] Make sure printing is done.

[2]



Long press the Power button.

- The printer will start powering off.

[3]

Power Off

When the message on the left appears, release the Power button.

- The Power LED lights off.

Loading a roll media

Important!

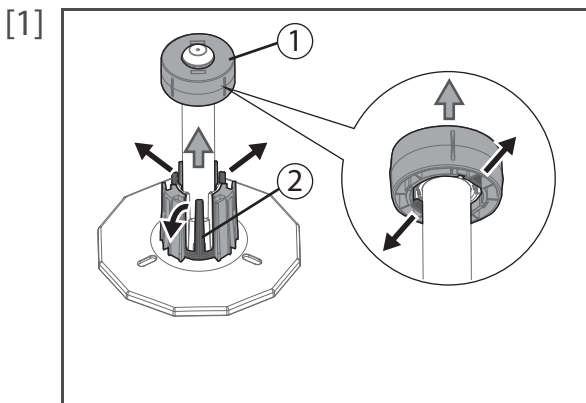
Depending on the size of media, two or more people are required.

Load a roll media into the printer

Items Required:

- Roll media
- Media flange: x2

1. Attach flanges to the media

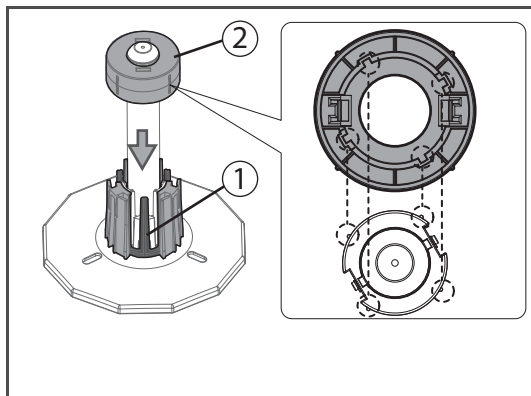


(If you are using 2-inch core roll media) Remove the 3-inch adapter from the media flange.

- ①: Pull two tabs on the adapter outward, then remove it from the flange.
- ②: Pull three tabs on the adapter outward, then remove it from the flange.

Note

- If ② adaptor cannot be removed, turn the handle on the flange anti-clockwise to loose (see Step 2), then remove it.
- If you are using 3-inch core roll media, skip this step.

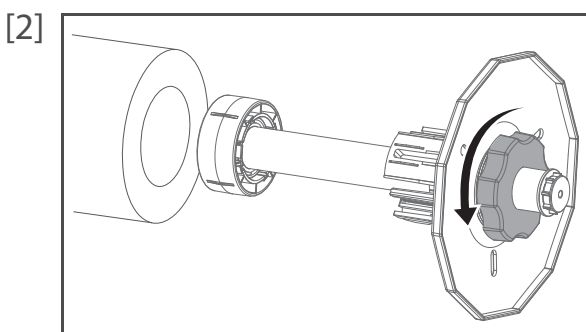


(When replacing 2-inch core roll media with 3-inch core roll media) Attach the 3-inch adapters to the media flange.

- ①: Align the tabs (x3) on the adapter with the dents on the base of flange to click into place.
- ②: Align the notches (x4) on the inside of adapter with the protrusions (x4) on the leading edge of media flange as shown to the left to attach it to the edge of the media flange.

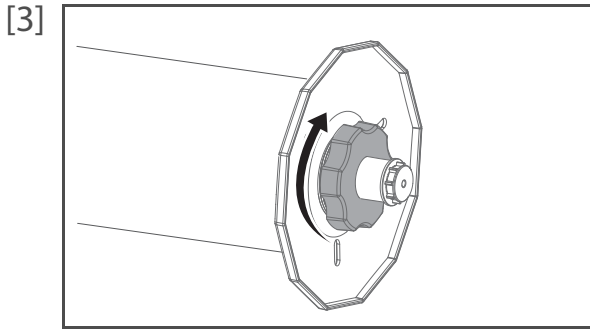
Note

- If ② adapter is misaligned, it will not be properly fixed to the media flange.



Push the media flange (x2) into the both ends of the media core.

- Before inserting, twist the handle on the flange anticlockwise to unlock it.



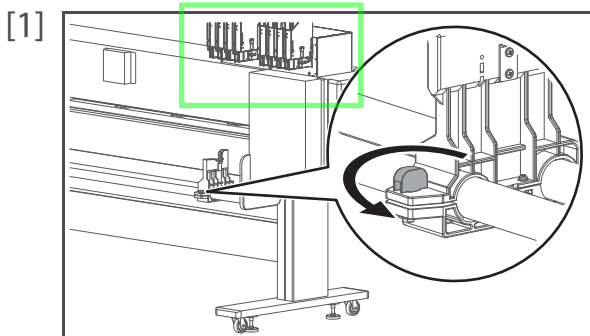
Twist the handle clockwise to lock the flange.



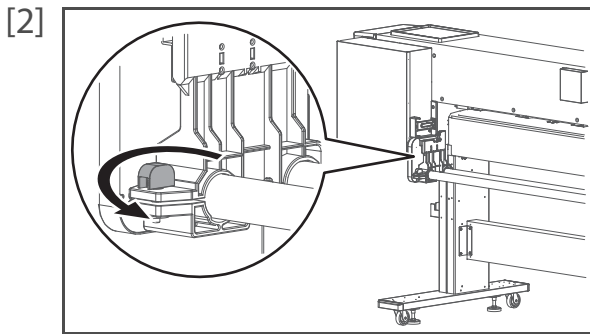
**Check that the flange is firmly locked.
If not, the media can be removed from the flanges, affecting the print quality.**

2. Enable torque on media holders

If you want to apply torque to the media holders, follow the steps below.

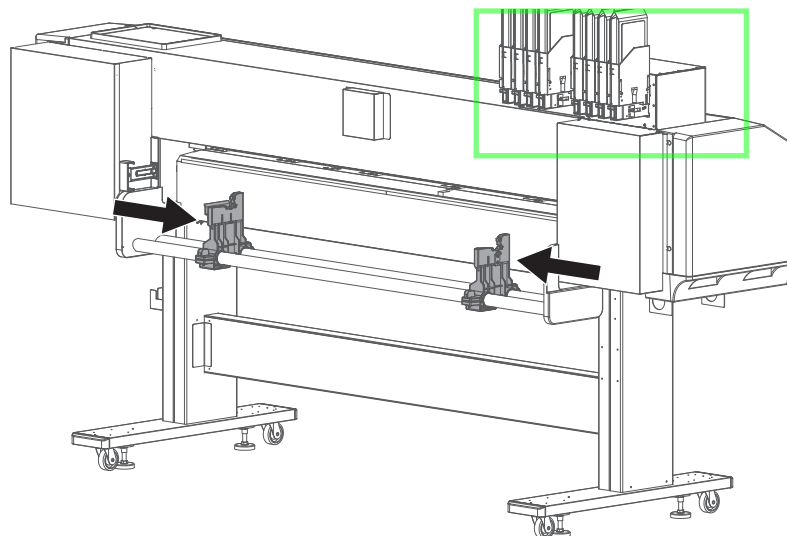


Twist the knob bolt on the right side of the media holder anticlockwise to loosen.

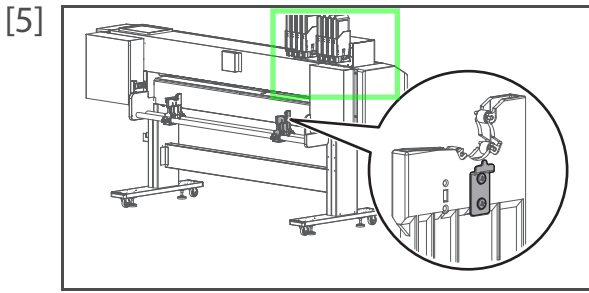


Twist the knob bolt on the left side of the media holder anticlockwise to loosen.

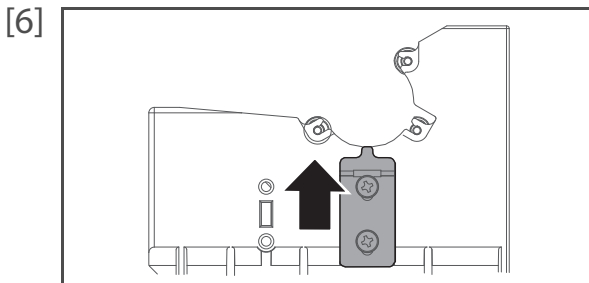
[3] Slide both left and right media holders about 30 cm towards the center of the slider for easy access.



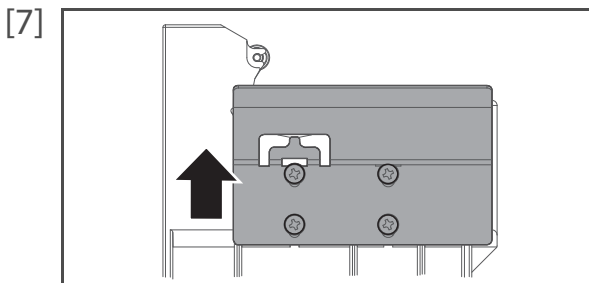
[4] Tighten the knob bolts on both media holders.



[5] (When looking from the rear side of the printer) Use the screwdriver to loosen two screws securing the roller shaft guide plate to the right media holder.



[6] Slide up the roller shaft guide plate as far as it will go and tighten the screws.



[7] Do the same for the left media holder to slide up the roller shaft guide plate as far as it will go and tighten the screws.



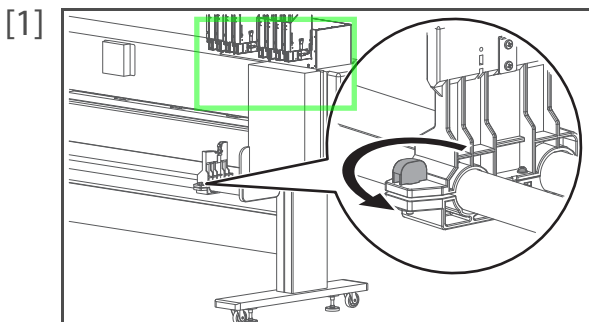
Note

The shape, number of screws, and mounting location differ between left and right guide plates.

[8] Loosen the knob bolts and slide back both media holders to the original position.

[9] Tighten the knob bolts.

3. Place the media onto the media holder



[1] Twist the knob bolt on the right side of the media holder anticlockwise to loosen.

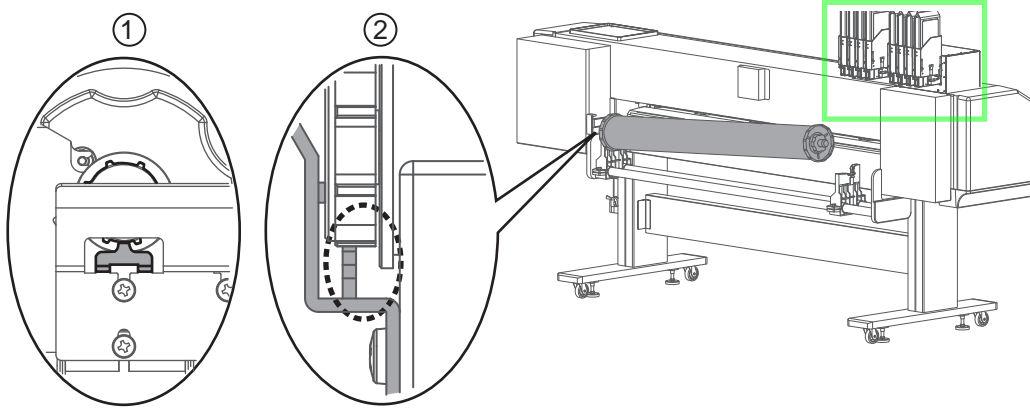
[2] Place the roll media onto the left media holder. Carefully and gently place it on the holder.

(If torque is enabled)

- ①: When looking from the left side, check that the protrusion on the roller shaft guide plate is fitted into between two protrusions on the flange end cap.
- ②: When looking from the rear side of the printer, check that the flange end cap is properly placed on the protrusion on the roller shaft guide plate.

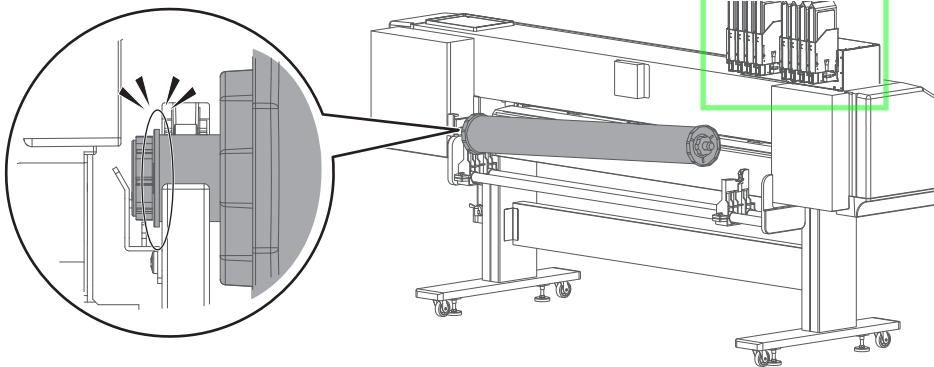
 Important!

Do not drop or apply excessive impact while placing the media. This will cause damage to the part.



(If torque is disabled)

- Check that the stopper on the shaft is fitted into the slit as shown in the illustration (not on the media holder).



 Important!

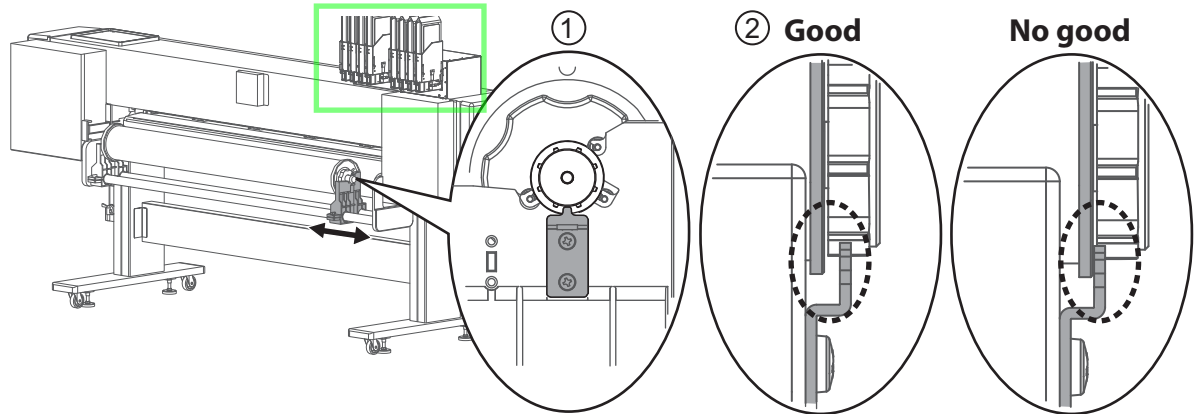
When you adjust the position of the media holder (left), do not move it more than 450 mm away from the left-hand end. The printer will not be able to detect media.

- [3] Slide the right side of the media holder to place the right side of the flange onto the holder. Place the roll media onto the right media holder. Carefully and gently place it on the holder.
(If torque is enabled)

- ①: When looking from the right side, check that the protrusion on the roller shaft guide plate is fitted into between two protrusions on the flange end cap.
- ②: When looking from the rear side of the printer, check that there is a gap between the protrusion on the roller shaft guide plate and stopper on the shaft.

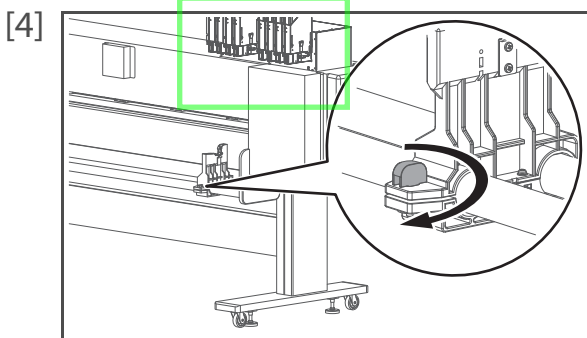
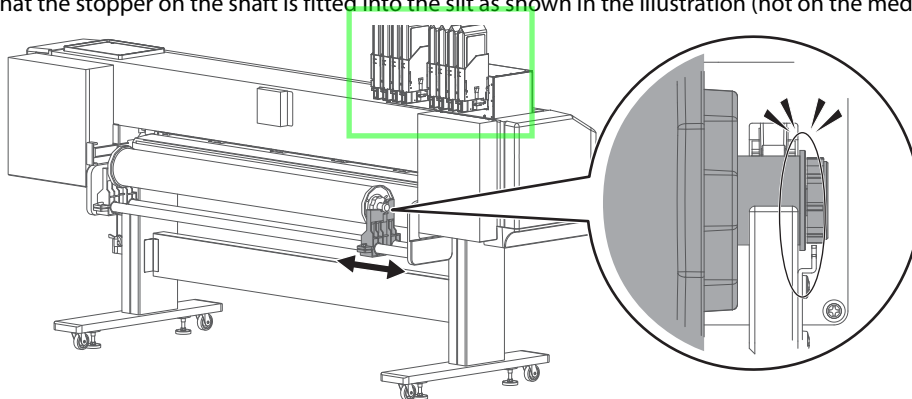
Important!

- Do not drop or apply excessive impact while placing the media. This will cause damage to the part.
- If the stopper gets contact with the guide plate as "No Good" example below, it may cause damage to the part.



(If torque is disabled)

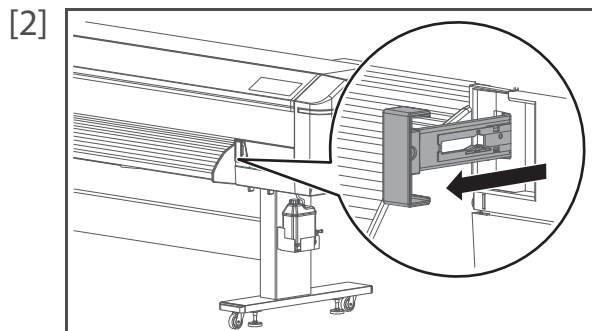
- Check that the stopper on the shaft is fitted into the slit as shown in the illustration (not on the media holder).



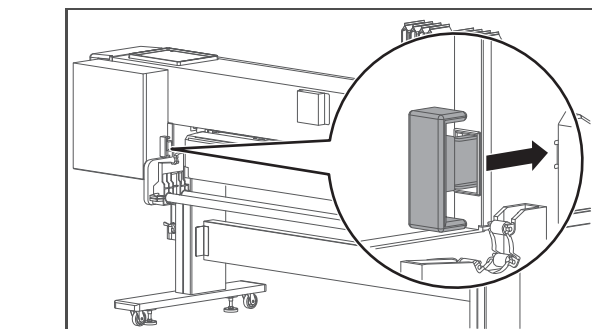
Twist the knob bolt on the right side of the media holder clockwise to tighten.

4. Load the media into the printer

[1] Check that the printer is powered on.



From the front side of the printer, pull the media feed lever towards you as much as possible to release the pressure rollers.



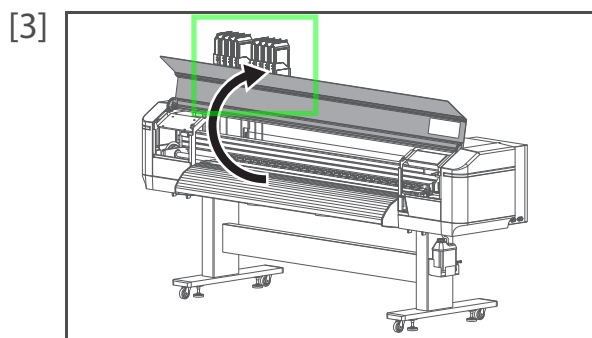
You can access to the media feed lever from the rear side of the printer.

- To release the pressure rollers, push the media feed lever.
- To lock the pressure rollers, pull it towards you.

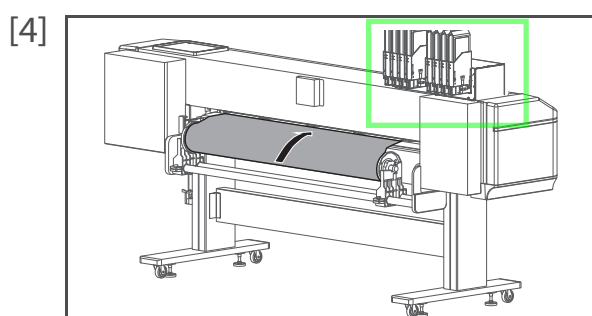
 **Note**

Using this lever, the holddown pressure can be changed between High and Normal. To apply high pressure, pull the lever towards you as much as possible.

 ["Changing holddown pressure using media feed lever" P. 40](#)



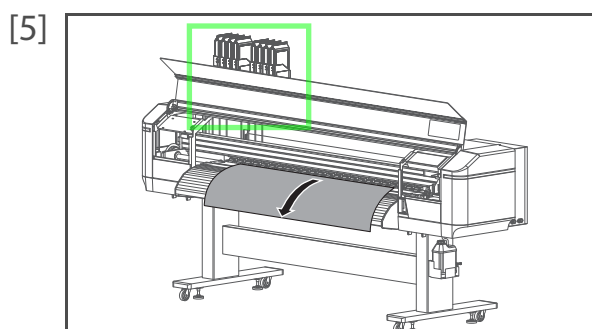
[3] Open the front cover.



[4] From the rear side of the printer, insert the front edge of the media into the media slot.

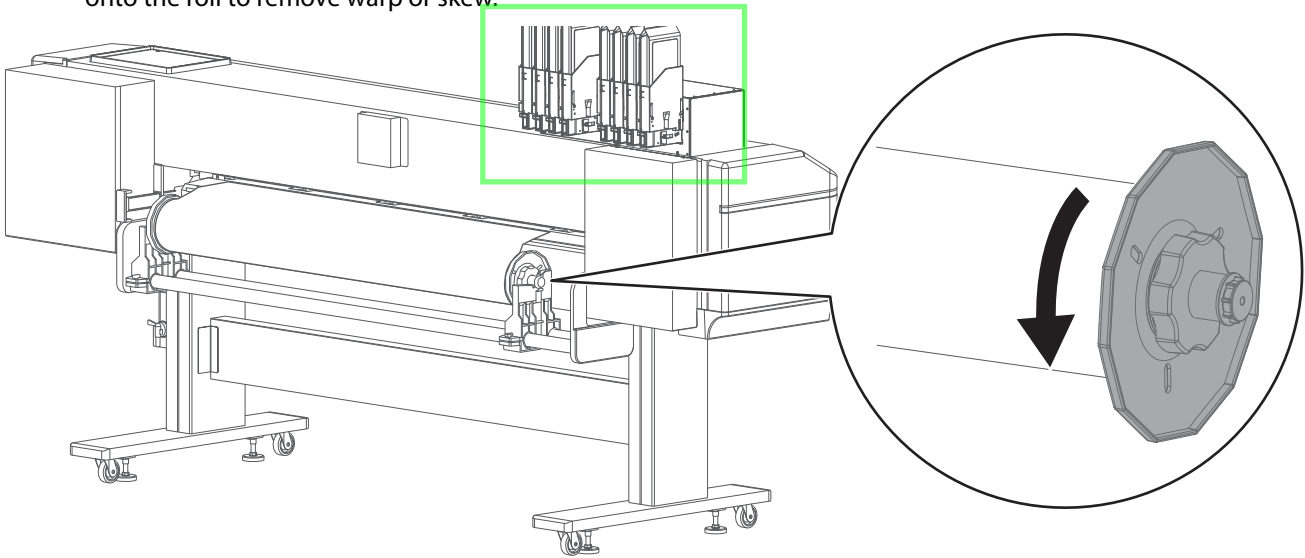
 **Note**

Before inserting, rewind the media properly.



[5] From the front side of the printer, pull the media for approximately 1 m.

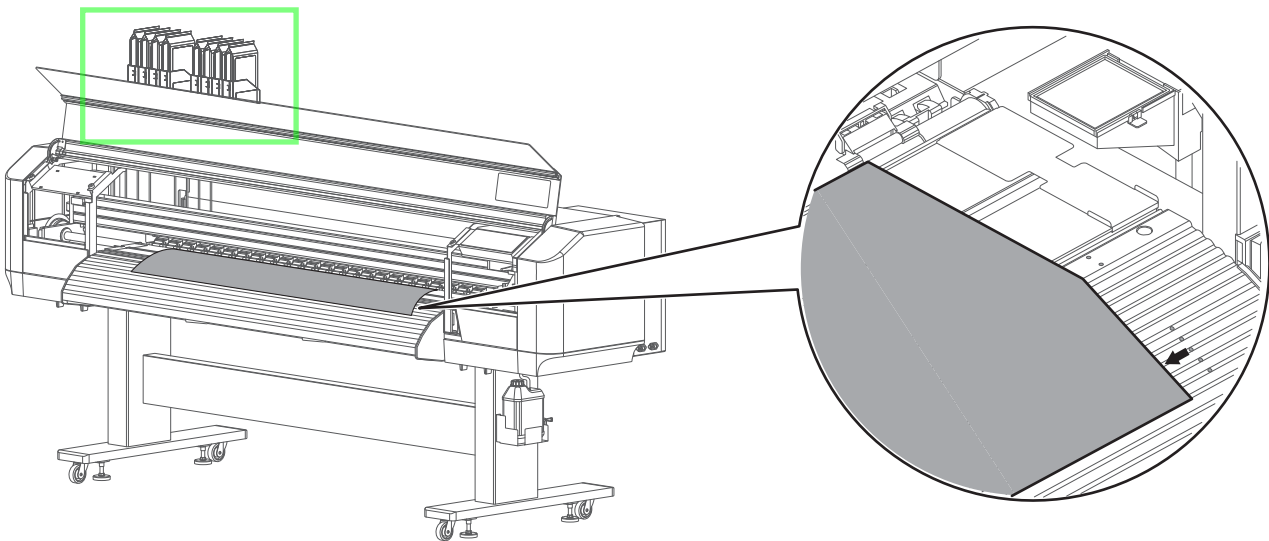
- [6] While one person holds the front edge of the media, the other person turns the flange to slightly rewind the media onto the roll to remove warp or skew.



 Note

If you remove your hands from the front edge of the media while rewinding, the media can be removed from the media slot.

- [7] Check that the right-hand edge of the media is located at the left side of the media guide line.
If not, print quality can be affected.



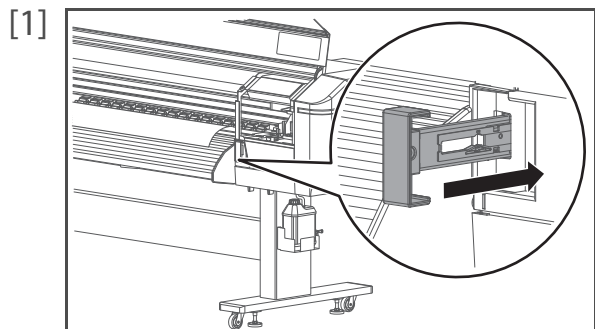
- [8] If needed, use a slide lock lever on the pressure rollers to individually cancel or reduce the holddown pressure.

 ["Canceling or reducing pressure rollers individually" P. 41](#)

 Note

Normally you do not need to adjust the holddown pressure by the slide lock levers.
To print on thin or soft media, individually reduce the holddown pressure.

5. After loading the media...



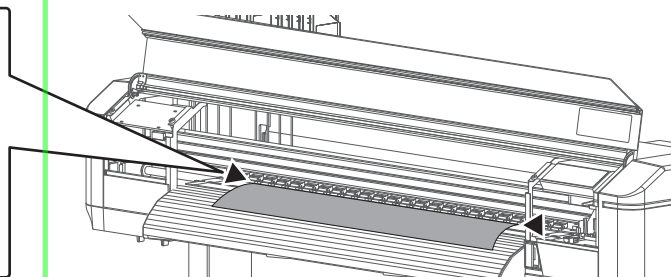
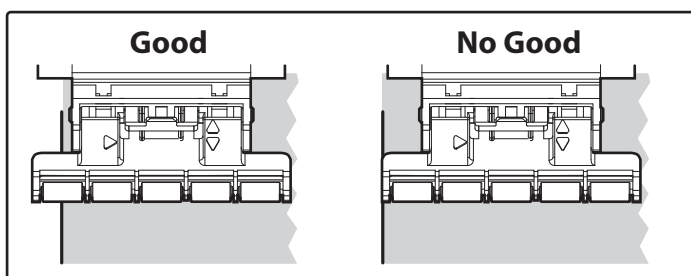
From the front side of the printer, push the media feed lever to hold the media flat with pressure rollers.

Note

Using this lever, the holddown pressure can be changed between High and Normal. Normally push the lever until it clicks to apply normal pressure.

["Changing holddown pressure using media feed lever" P. 40](#)

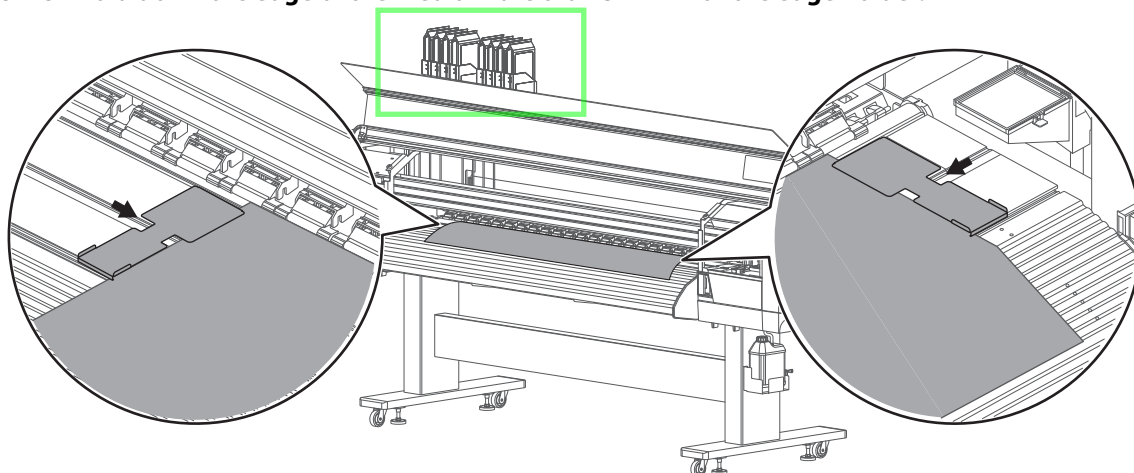
- [2] Check that the pressure rollers hold down the both edges of the media properly.
- If it holds as a "No Good" example, pull the media feed lever towards you as much as possible, then adjust the position of the left or right side of the media holder until the both edges of the media are held down properly (see ["Load the media into the printer" P. 27](#) for more details).



- [3] Place the edge holders on both edges of the media.

Important!

In the default setting, the printer starts printing with 5 mm margin on the sides. DO NOT hold down the edge of the media more than 5 mm with the edge holder.




Tap (Home).



Tap .




Use  to choose the menu shown left.

• Tap .



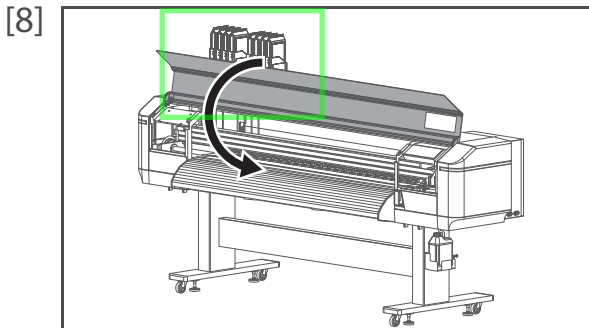
Enter the side margin. At least 10 mm margin is required.

• Use  or  to enter the value.

• Tap  (Enter) to confirm the setting.

 Note




The side margin can be set between 5 mm and 25 mm.



Close the front cover.



“User: Type** OK?” appears on the touch panel.

• Use  or  to choose the correct user type and tap  (Enter) to start media initialization.
End the media loading.

Nozzle check and cleaning

Before you start daily printer operation, run a nozzle check. If nozzle missing is found, perform cleaning.

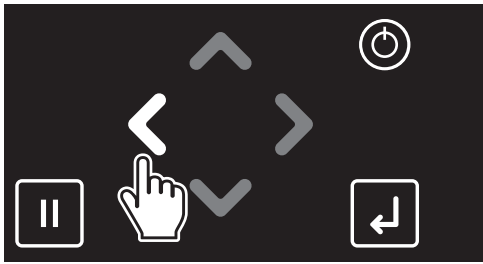
Nozzle check

Nozzle check F steps

[1] Load a roll media for Nozzle check.

 ["Loading a roll media" P. 22](#)

[2] Tap .



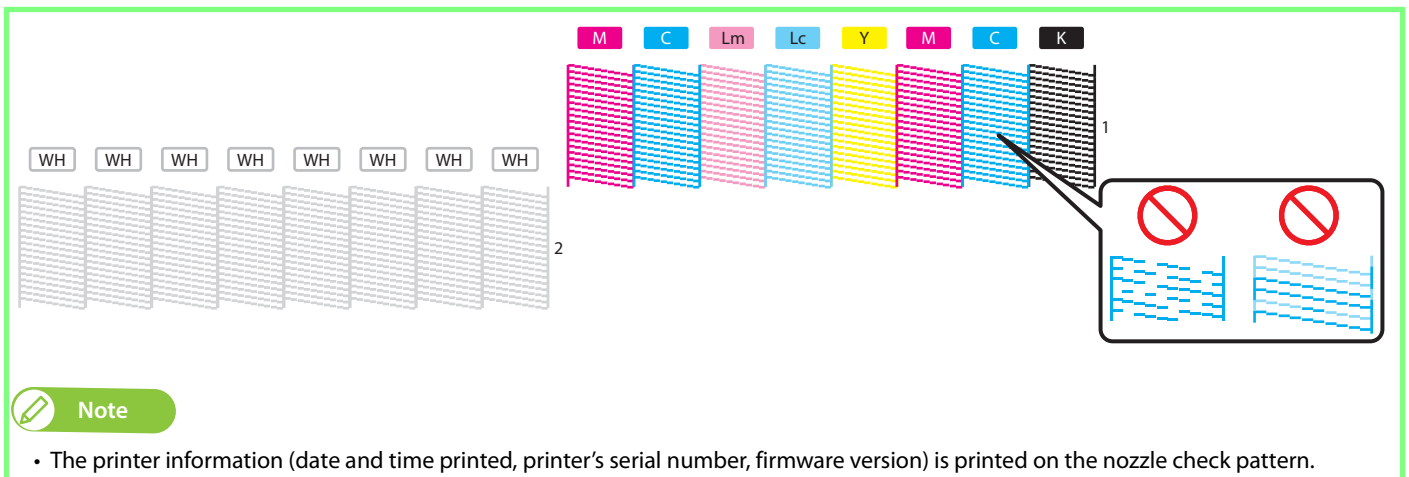
[3] Tap  (Enter).



• The printer will print the nozzle check pattern.

[4] Check the nozzle check print to see all nozzles are clear.

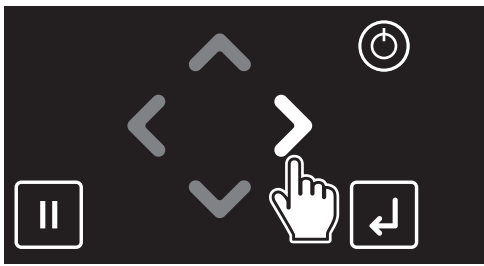
- If you find missing or thin lines on the print, go to ["Cleaning steps" P. 32](#).
- If all lines are clearly printed, you can start printing.



The image shows a nozzle check printout with various color patterns. The patterns are labeled with color codes: M (Magenta), C (Cyan), Lm (Light Magenta), Lc (Light Cyan), Y (Yellow), M (Magenta), C (Cyan), and K (Black). The printout is divided into two sections: 1 (top) and 2 (bottom). Section 1 shows a pattern of lines with a red 'X' over it, indicating a problem. Section 2 shows a pattern of lines with a red 'X' over it, indicating a problem. A note at the bottom states: "Note: The printer information (date and time printed, printer's serial number, firmware version) is printed on the nozzle check pattern."

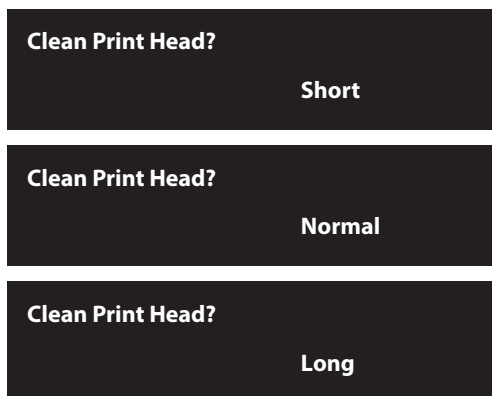
Cleaning steps



[1]



Tap .

[2]



Use  or  to choose the cleaning mode.

Tap  (Enter).

- The printer will start cleaning.

[3] Run a nozzle check again.

 ["Nozzle check" P. 31](#)

- If the problem persists, repeat normal cleaning until all nozzles are clear.
See ["Head cleaning" P. 123](#) for "Short" and "Long" cleaning.

Calibrating your printer

Before printing an image on your printer for the first time, follow these steps to calibrate your printer to ensure accurate print quality.

Head alignment

You can print out the adjustment pattern in this menu to check the misalignment of the print head, and then adjust it.

You can choose one of the following methods:

Adjust Head 1

Standard

The Standard option performs the head alignment for the print mode saved in the currently selected user type.

When you use this option, make sure that the resolution, number of pass, and printing direction of the print mode on your RIP is the same as the print mode saved in the user type currently selected.

Adjust Head 2

Custom

Allows you to adjust also a print mode other than the print mode used by the current user definition.

This method optimizes print quality even if the print mode on the RIP side is different from the user-defined mode.



Note

- If you experience following problems, the head alignment can help to improve print quality:
 - Suffering from poor print quality in unidirectional printing mode. ["Details of print mode" P. 61](#)
 - Print quality does not improve even after performing print quality adjustment
- After you have performed head adjustment, make sure you perform print quality calibration.
There may be misalignment caused by head adjustment. ["Print quality calibration" P. 35](#)
- If you change the print mode after performing the Standard head alignment, you need to perform the head alignment for the print mode chosen.
- Since all print modes are adjusted at once after performing Custom head adjustment, head adjustment is not required even after changing the print mode.
- When specifying a print mode for RIP software, etc, that is different from the mode set in the user type setting, perform Custom head adjustment and check all patterns (A to C), and then adjust any patterns that are misaligned beforehand.
- If a roll media starts to cockle during calibration, load the media again.

Head alignment steps


[1] Turn the printer ON and load a roll media.

 ["Loading a roll media" P. 22](#)




Tap  (Home).



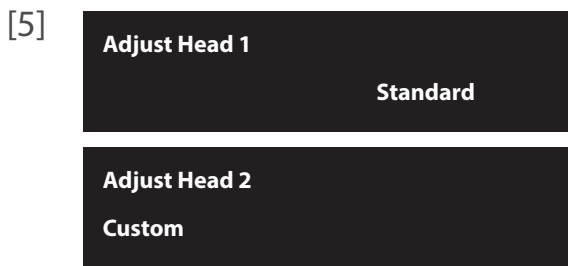
Tap  until the menu on the left appears.



• Tap  (Enter).



• Tap  until the menu on the left appears.

• Tap .



• Use  or  to choose the alignment method.

• Tap  (Enter).

[6] The printer will print the confirmation pattern.

[7] Follow the steps below to align the two print heads.

 ["Standard or Custom Adjustment Methods" P. 96](#)

Print quality calibration

This menu calibrates the dot placement of bidirectional printing. Print the alignment pattern to see if dot placement is perfectly aligned. If misaligned, enter the alignment value to correct the accuracy of dot placement.

You can choose one of the following methods:

** : Adjust Print 1

Standard

The Standard option performs dot placement alignment for the print mode saved in the currently selected user type.

When you use this option, make sure that the resolution, number of pass, and printing direction of the print mode on your RIP is the same as the print mode saved in the user type currently selected.

** : Adjust Print 2

Custom

Allows you to adjust also a print mode other than the print mode used by the current user definition.

This method optimizes print quality even if the print mode on the RIP side is different from the user-defined mode.

** : Adjust Print 3

Auto


Perform the automatic adjustment using the embedded color sensor.

Allows you to adjust also a print mode other than the print mode used by the current user definition.

This method optimizes print quality even if the print mode on the RIP side is different from the user-defined mode.



Note

- If you are suffering from print quality defects after changing installation site or a roll media loaded on the printer, perform the print quality calibration.
- If you change the user type after performing the Standard calibration, you need to perform the print quality calibration for the print mode chosen.
- Since all print modes are adjusted at once after performing Custom adjust print, adjust print is not required even after changing the print mode. When specifying a print mode for RIP software, etc, that is different from the mode set in the user type setting, perform Custom head adjustment and check all patterns (A to C), and then adjust any patterns that are misaligned beforehand.
- If you experience following problems, the head alignment can help to improve print quality:
For adjustment procedure, see  ["Head alignment" P. 33](#)
 - Print quality is poor when using the uni-direction print mode.
 - Print quality does not improve by print quality calibration.
- After you have performed head adjustment, make sure you perform print quality adjustment. There may be misalignment caused by head adjustment.

Print quality calibration steps

[1] Turn the printer ON and load a roll media.

 ["Loading a roll media" P. 22](#)



Tap  (Home).





Tap .

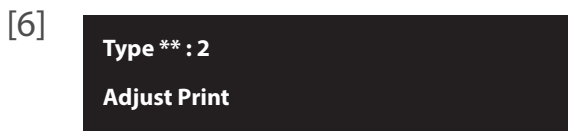



Tap .



Use  or  to choose the user type you want to use.

• Tap  (Enter).





Tap  until the menu on the left appears.

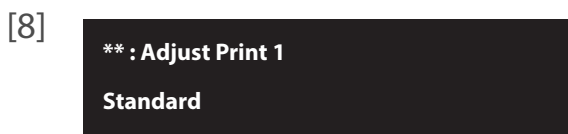
• Tap .





Enter the thickness of the media.

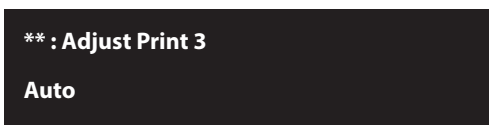
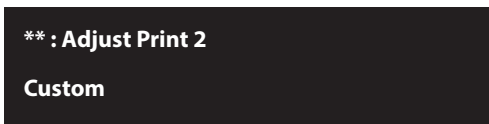
• Use  or  to specify the thickness.

• Tap  (Enter).



Use  or  to choose the calibration method.

• Tap .





Note

- In Standard print quality adjustment and Custom print quality adjustment, the names in the available patterns are different. For details, refer to the page below.

 ["Adjust Print 1: Standard" P. 62](#)

 ["Adjust Print 2: Custom" P. 63](#)

 ["Adjust Print 3: Auto" P. 63](#)

- For a pre-adjustment check, select "Confirm Pattern".
Check the printing results in "Confirm Pattern".
 - To adjust large misalignment, select "Rough Pattern".
 - To adjust small misalignment, select "Fine Pattern".

[9] Follow the steps below and adjust the print quality.

 ["Standard or Custom Adjustment Methods" P. 65](#)

 ["Auto Adjustment Method" P. 67](#)

Media feed adjustment

This adjustment must be performed when:

- you use this product for the first time.
- you use a new type of the media.
- you have changed the holddown pressure on the pressure rollers.

Other than above cases, move to ["Nozzle check and cleaning" P. 31](#).

Note

If the following symptom appears on your print, this adjustment may help to solve the problem.

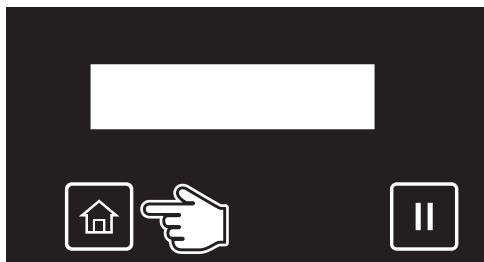
- Image overlapping.
- Horizontal white lines on the print.

Media feed adjustment steps

[1] Load a roll media.

 ["Loading a roll media" P. 22](#)

[2]



Tap  (Home).

[3]



Tap .



[4]



Tap .

[5]




Use  or  to choose the user type you want to use.

- Tap  (Enter).

[6]




Tap  until the menu on the left appears.

- Tap .

[7]



Tap  until the menu on the left appears.

- Tap .

[8] Follow the steps below and adjust the print quality.

 ["Automatic PF adjustment method:" P. 68](#)

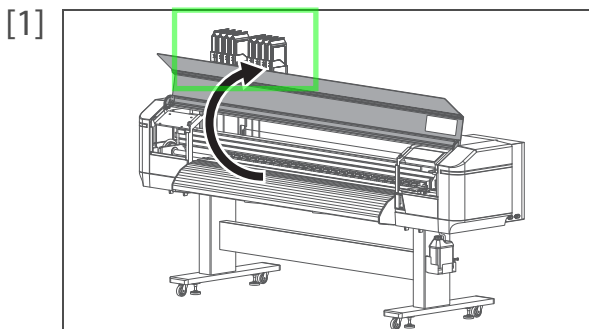
Changing the Head Height

If you use a roll media that warps easily or perform high-density print, the print head may contact the media while printing. If you experience such problem, try changing the head height higher.

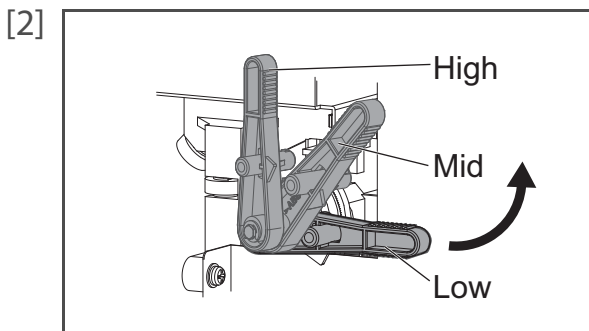
After you change the head height, make sure to perform the print quality calibration.

Important!

- The closer you set distance between the print head and roll media with lowest possible head height, the more you can achieve stable print quality. However, depending on the condition of a roll media, head strike is more likely to occur with this condition.
- Do not open Front cover and change the head height during printing. Print quality cannot be guaranteed.

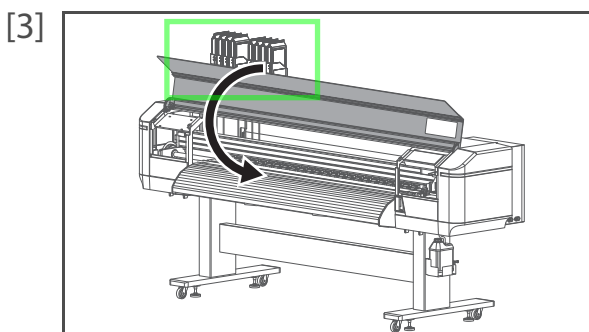


Open the front cover.



Use the head height adjustment lever (orange) to change the head height to "Mid" or "High".

- High: set the head height to High.
- Mid: set the head height between Low and High.
- Low: Default head height.



Close the front cover.

[4] Perform print quality calibration.

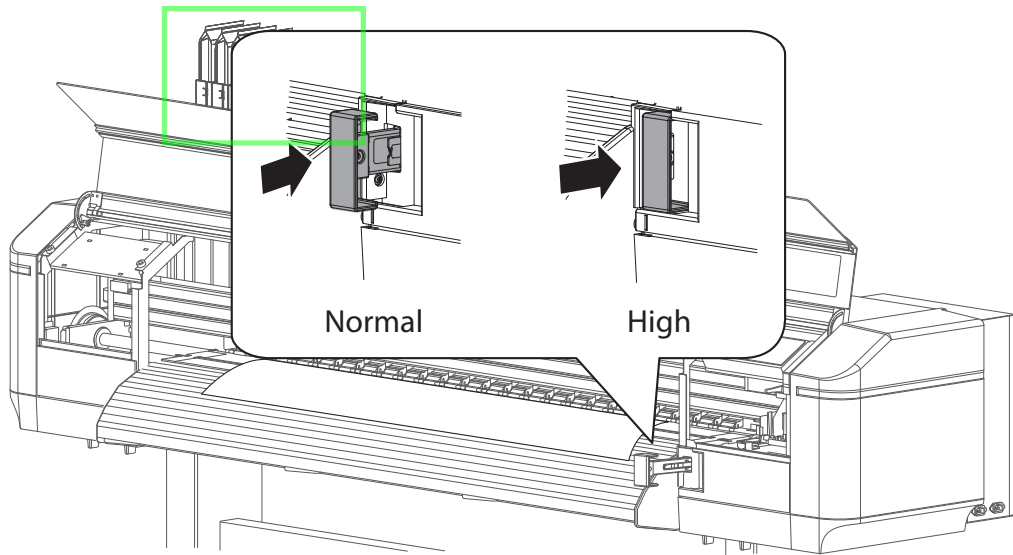
 ["Print quality calibration" P. 35](#)

Changing holddown pressure using media feed lever

If you want to change the holddown pressure applied across the entire width of media, use the media feed lever.

Depending on the position of the lever, you can choose the pressure between Normal and High.

- Normal: Recommended for typical roll media. To apply normal pressure, push the lever from the front side of the printer until it clicks.
- High: Recommended for heavy weight media (such as Tarpaulin). To apply high pressure, push it as far as it goes.



Important!

Every time after you change the holddown pressure by the media feed lever, you must perform the media feed adjustment.

 ["Media feed adjustment" P. 38](#)

Canceling or reducing pressure rollers individually

When printing on thin media or media without stiffness, the media tends to cockle causing head strikes. By reducing pressure or disabling the pressure rollers individually, it helps to reduce the chance of head strike.

Using the slide lock lever on the individual pressure roller, the holddown pressure can be changed between Normal, Low and Cancel.

- Normal: Recommended for typical roll media. The factory default is set to Normal.
- Low: It reduces the holddown pressure.
- Cancel: It disables the pressure roller.

However, if the media feed lever is set to High, you can only choose between Normal and Cancel (even you set it to Low, the holddown pressure will not be reduced).

To cancel the individual pressure rollers, release the pressure rollers by pulling the media feed lever towards you as much as possible.

Media feed lever	Slide lock lever
Normal	Normal/ Low/ Cancel
High	Normal/ Cancel

Important!

Every time after you change the holddown pressure by individual slide lock lever, you must perform the media feed adjustment.

["Media feed adjustment" P. 38](#)

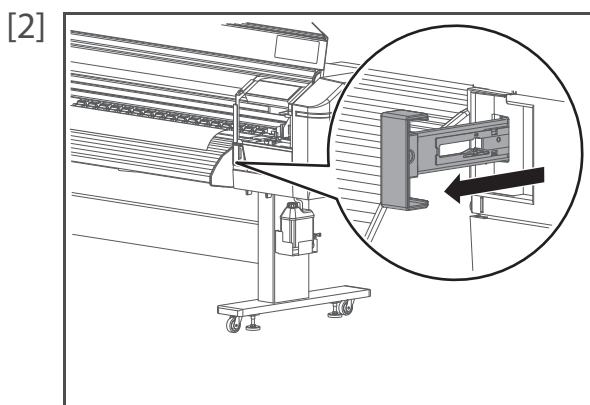
Note

- Thin media or media without stiffness is likely to be wrinkled during printing. Wrinkles can contact the bottom side of the print head causing the media to become dirty. When both edges of the pressurizing rollers of media are released, it can prevent wrinkles.
- When printing on thin media or media without stiffness, wrinkles can be prevented by turning down the vacuum fan.

["Vacuum Fan" P. 74](#)

Procedure

[1] Open the front cover.



(To cancel the individual pressure rollers) From the front side of the printer, pull the media feed lever towards you as much as possible to release the pressure rollers.

(To set the slide lock lever to the Low position) Set the media feed lever to the Normal position.

["Changing holddown pressure using media feed lever" P. 40](#)

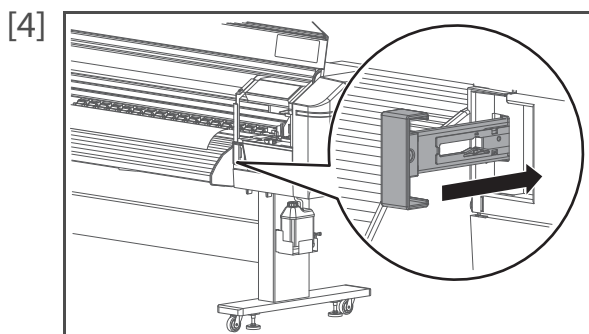
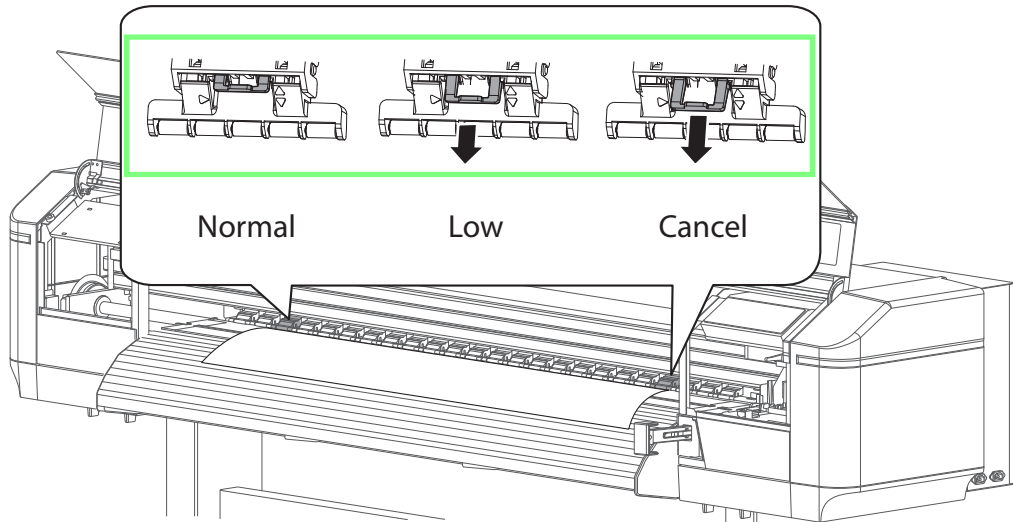
Note

- You cannot cancel the individual pressure rollers unless you release the pressure rollers by the media feed lever.


- [3] Push down the tab on the slider lock lever, then slide it to the front.
- To reduce pressure, slide it to front until it clicks.
 - To cancel the pressure roller, fully slide it to the front until it clicks into place.

 Note

First, try to reduce or cancel the rollers on both edges of the media. If the problem persists, reduce or cancel more rollers.

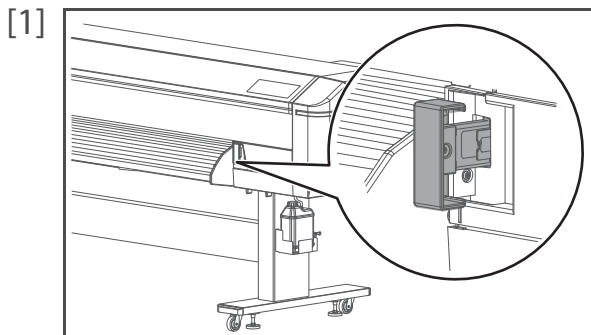


(To cancel the individual pressure rollers) Push the media feed lever back to the original position to lock the pressure rollers.

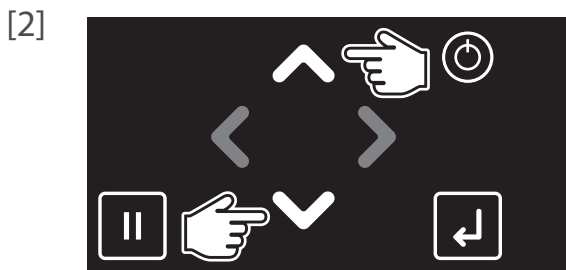
- [5] Close the front cover.
- [6] Perform media feed adjustment.
 ["Media feed adjustment" P. 38](#)



Operating from Front panel



Feeding media



Check that the pressure rollers hold down the media.



Long-touch  or  to feed a roll media until it reaches to the desired position.

-  key: Feed the media backward.
-  key: Feed the media forward.


 Note

Long tap the key to feed the media with high speed.

[3] Once it has reached the intended position, release the key.

Pausing / Restarting printing



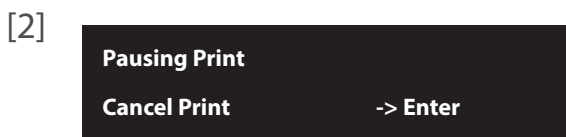
Tap  (Cancel) while printing.


- The printer will pause the job.

 Note

- You cannot cancel the job by tapping [Cancel].
- To cancel the job, see the following section.

 ["Canceling printing" P. 44](#)



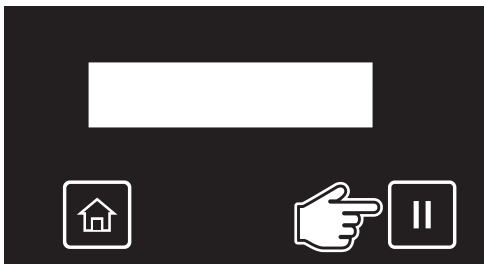
Tap  (Cancel) again to resume printing.


 Important!

MUTOH cannot guarantee the print quality when you resume the printing.

Canceling printing

[1]



Tap  (Cancel) while printing.


- The printer will pause printing.



To resume printing, tap [Cancel] again.

[2]



Tap  (Enter) to cancel printing. (Once canceled, you cannot resume the job again.)

- The data sent to the printer will be deleted.



You can also cancel the job from the remote panel on MSM.

Starting printing during warming up

[1]





Check that the message "Warming Up" is displayed on the front panel.

[2]



Send a job to the printer.

- "Skip Heater Warm Up? **No**" is displayed on the front panel.
- Use  or  to choose "Yes".

- Tap  (Enter).

[3] Start printing.

CAUTION



While "Warming Up" is displayed, do not touch the media guide.
You could get burn injuries.

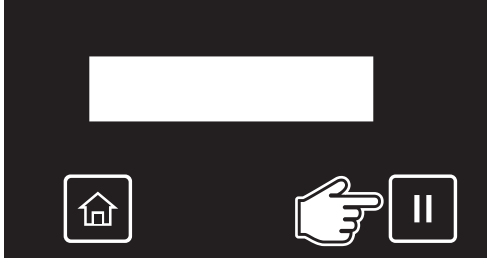



Important!

If you start printing during warming up, print quality is not guaranteed.




Note

Even when you start printing during warming up, the printer continues to warm up the heater until it reaches to the specified temperature.

Cutting media

- [1] 
- Check that the job has been printed.
- Tap  (Cancel).
- [2] 
- Tap  (Enter).
- The printer will advance the media for the bottom margin and will cut it.


Note

- If the front edge of a new roll media is not straight, cut it before printing.
- When the media detection is set to "Off", the printer does not cut the media automatically.
 -  ["Setup 4: Media Initial" P. 77](#)
- When the Output mode menu is set to "Auto Cut", the printer cuts the media automatically after printing.
 -  ["Setup 6: Output Mode" P. 77](#)
- The cutter blade is consumable parts. Replace it when needed.
 -  ["Replacing Cutter" P. 138](#)

Menus you can access while printing




[1]

Receiving	
PG: Low	W: 1625 mm
<hr/>	
Printing	
PG: Low	W: 1625 mm
<hr/>	
Converting	
PG: Low	W: 1625 mm

Tap  (Home) while one of the three messages on the left appears on the touch panel.

[2]

Menu 1	
Temperature	
<hr/>	
Menu 2	
Pre Heater	
<hr/>	
Menu 3	
Platen Heater	
<hr/>	
Menu 4	
Dryer	
<hr/>	
Menu 5	
PF Micro Adjust	
<hr/>	
Menu 6	
Backup	
<hr/>	
Menu 7	
Job Status	
<hr/>	
Menu 8	
MPS	

Use  or  to choose the menu, then tap .

 ["Menu 1: Temperature" P. 47](#)

 ["Menu 2: Pre Heater" P. 47](#)

 ["Menu 3: Platen Heater" P. 48](#)

 ["Menu 4: Dryer" P. 48](#)

 ["Menu 5: PF Micro Adjustment" P. 49](#)

 ["Menu 6: Backup" P. 49](#)

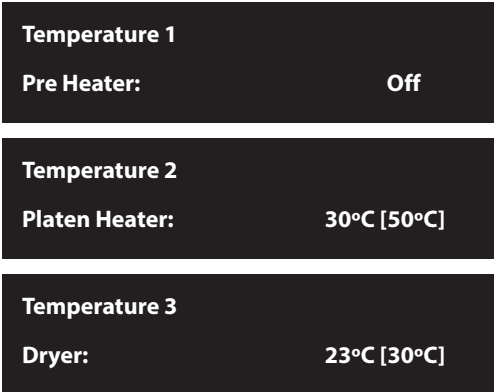


 ["Menu 7: Job Status" P. 50](#)

 ["Menu 8: MPS" P. 50](#)

Menu 1: Temperature

You can check the temperature of the heater during printing.

[1]  Tap .

[2]  Use  or  to choose the heater you want to check.

- It displays the current heater temperature and heater temperature setting in square brackets.

Note

- Indicated temperature is approximate. The accuracy of the temperature is not guaranteed.
- The display of the current temperature blinks all the time even the heater still warms up or has reached the target temperature.

Menu 2: Pre Heater

You can change the pre heater temperature setting for the current print job.

- See the following related sections of Panel Setting Menus:  ["***>5: Platen Heater" P. 73](#)

[1]  Tap .

[2]  Use  or  to change the value.

- Tap  (Enter) to confirm the change.

Note

- The change made is applied to the current job only and is not saved in the printer.
- To save the change in the user type currently selected, go to "Menu 6: Backup".

CAUTION



The message "Warming up" appears while the heater is functioning.
While "Warming Up" is displayed, do not touch the media guide.
You could get burn injuries.

Menu 3: Platen Heater

You can change the platen heater temperature setting for the current print job.

- See the following related sections of Panel Setting Menus:  ["6: Dryer" P. 73](#)



[1]




Tap .

[2]



Use  or  to change the value.

- Tap  (Enter) to confirm the change.

Note

- The change made is applied to the current job only and is not saved in the printer.
- To save the change in the user type currently selected, go to "Menu 6: Backup".

CAUTION



The message "Warming up" appears while the heater is functioning.

While "Warming Up" is displayed, do not touch the media guide.

You could get burn injuries.

Menu 4: Dryer

You can change the dryer temperature setting for the current print job.

- See the following related sections of Panel Setting Menus:  ["6: Dryer" P. 73](#)



[1]




Tap .

[2]



Use  or  to change the value.

- Tap  (Enter) to confirm the change.

Note

- The change made is applied to the current job only and is not saved in the printer.
- To save the change in the user type currently selected, go to "Menu 6: Backup".

CAUTION



The message "Warming up" appears while the heater is functioning.

While "Warming Up" is displayed, do not touch the media guide.

You could get burn injuries.

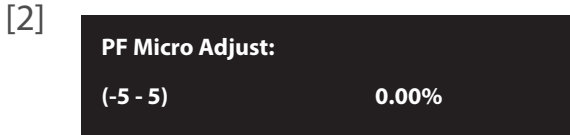
Menu 5: PF Micro Adjustment



You can change the micro adjustment value to correct media feeding for the currently print job.


- See the following related sections of Panel Setting Menus:  **"**>3: PF Adjust" P. 68**



Tap .



Use  or  to change the value.

- Tap  (Enter) to confirm the change.



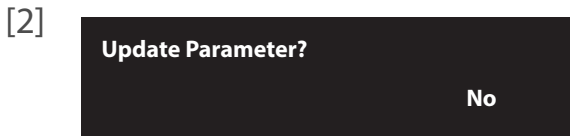
- The change made is applied to the current job only and is not saved in the printer.
- To save the change in the user type currently selected, go to "Menu 6: Backup".

Menu 6: Backup

You can save the change that you made on "Menu2: Pre Heater", "Menu3: Platen Heater", "Menu4: Dryer" and "Menu5: PF Micro Adj." in the currently selected user type.

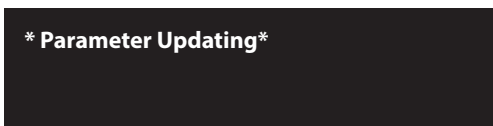


Tap .



Use  or  to select "Yes".

- Tap  (Enter).



The change is saved in the selected user type.

Menu 7: Job Status

You can check the current status of the print job being printed.

- See the following related sections of Panel Setting Menus:  ["Menu 8: Job Status" P. 104](#)



[1]



Tap .

[2]



Use  or  to choose the information you want to check.

- ToDoLength: displays the length of the current job (in media feeding direction).
- Done: displays the length of the current job that has been already printed.
- Remain: displays the remaining length to finish printing.
- Remain time: displays remaining time to finish printing.



Note

- Indicated value is approximate. The accuracy of the value is not guaranteed.
- If the print job data does not contain length information, "0" will be displayed in the Job Status menu.

Menu 8: MPS

You can check the status of MPS.

[1]



Tap .

[2]



The status of MPS is displayed On or Off.



Note

- The MPS settings can be changed in MSM.

Chapter 2 Advanced Operations


Introduction	53
Operating the keys to use the menus	53
Panel setup menu	55
Menu 1: Setup	59
Setup 1: User Type	59
Setup 2: Spitting	75
Setup 3: Side Margin	76
Setup 4: Media Initial	77
Setup 5: Media Width	77
Setup 6: Output Mode	77
Setup 7: Method of Cut	79
Setup 8: Origin	80
Setup 9: Prevent Stick menu	81
Setup 10: Standby Heating	81
Setup 11: Head Travel	81
Setup 12: Multi Strike	82
Setup 13: Strike Wait	82
Setup 14: Slant Check	82
Setup 15: Auto Cleaning	83
Setup 16: Ink Status	84
Setup 17: Roll Length	84
Setup 18: Exhaust Fan	86
Setup 19: Longstore	86
Setup 20: CR Maintenance	86
Setup 21: Initialization	87
Setup 22: Life Times	87
Setup 23: IP Address	88
Setup 24: Subnet Mask	88
Setup 25: Gateway	89
Setup 26: Header Dump	89
Setup 27: Heater Control	90
Setup 28: Start Feed	90
Setup 29: Alert Buzzer	91
Setup 30: Internal LED Lights	91
Setup 31: Front Interlace	91
Setup 32: Temporary	92
Menu 2: Test Print	93
Test Print 1: Nozzle Check F	93
Test Print 2: Mode Print	93
Test Print 3: Setup List	94
Test Print 4: Palette	94
Test Print 5: Adjust Head	95

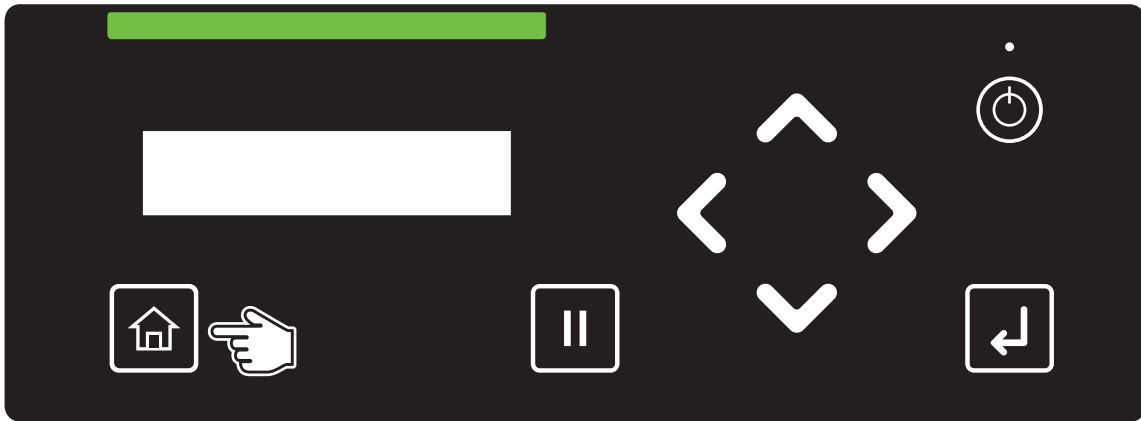
Menu 3: Cleaning	98
Menu3: Cleaning	98
Menu 4: Menu Option	99
Menu4: Menu Option	99
Menu 5: System Info.	100
Menu 6: Sleep Mode	101
Sleep Mode 1: Cleaning Setting	101
Sleep Mode 2: Start	102
Menu 7: Display	103
Display 1: Language	103
Display 2: Temperature	103
Display 3: Length	104
Menu 8: Job Status	104
Menu9: Roll Length Manage	105
Roll Length Manage1: Print	106
Roll Length Manage2: Simple Print	106
Roll Length Manage3: Scan.....	107
Roll Length Manage4: Roll Length	108
Roll Length Manage5: Auto Scan	108
Menu chart.....	109
Setting menu 1	109
Setting menu 2	110
Setting menu 3	111
Menu during printing.....	112

Introduction

Using the panel setting menus, configure various kinds of settings for the printer.

Operating the keys to use the menus








[1] To access to the setup menu, tap  (Home).



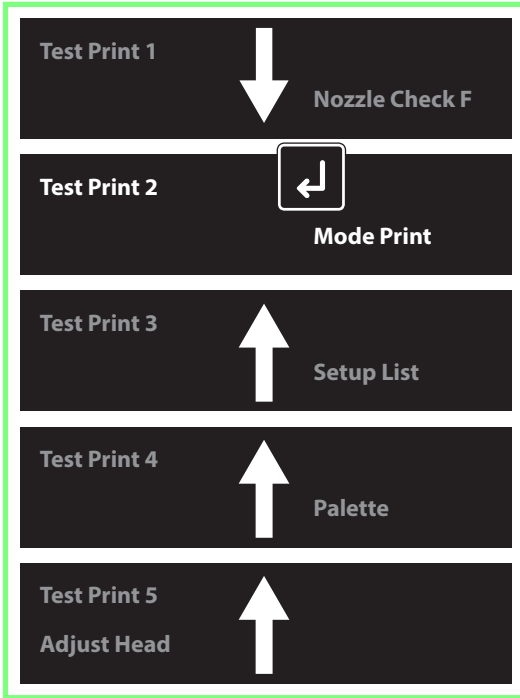
Note



You cannot access to the setup menu while printing or receiving data (the power button is flashing).


[2]


	Use  or  to go to the previous item or next item.
	Use  to go to the sub menu.
	
⋮	
	

[3]



Use  or  to choose the option from the sub menu or enter the value.

To confirm the value or execute the selected function, tap  (Enter).

Use  to return to the upper level menu.















(In the example on the left, the display will return to "Menu2: Test Print".)

Menu 1: Setup

Menu 1
Setup

Configure printer settings.

Submenus

- Setup1
User Type  [Setup 1: User Type](#)
- Setup 2
Spitting  [Setup 2: Spitting](#)
- Setup 3
Side Margin  [Setup 3: Side Margin](#)
- Setup 4
Media Initial  [Setup 4: Media Initial](#)
- Setup 5
Media Width  [Setup 5: Media Width](#)
- Setup 6
Output Mode  [Setup 6: Output Mode](#)
- Setup 7
Method of Cut  [Setup 7: Method of Cut](#)
- Setup 8
Origin  [Setup 8: Origin](#)
- Setup 9
Prevent Stick  [Setup 9: Prevent Stick menu](#)
- Setup 10
Standby Heating  [Setup 10: Standby Heating](#)
- Setup 11
Head Travel  [Setup 11: Head Travel](#)
- Setup 12
Multi Strike  [Setup 12: Multi Strike](#)
- Setup 13
Strike Wait  [Setup 13: Strike Wait](#)
- Setup 14
Slant Check  [Setup 14: Slant Check](#)

Setup 15
Auto Cleaning

 [Setup 15: Auto Cleaning](#)

Setup 16
Ink Status

 [Setup 16: Ink Status](#)

Setup 17
Roll Length

 [Setup 17: Roll Length](#)

Setup 18
Exhaust Fan

 [Setup 18: Exhaust Fan](#)

Setup 19
Longstore

 [Setup 19: Longstore](#)

Setup 20
CR Maintenance

 [Setup 20: CR Maintenance](#)

Setup 21
Initialization

 [Setup 21: Initialization](#)

Setup 22
Life Times

 [Setup 22: Life Times](#)

Setup 23
IP Address

 [Setup 23: IP Address](#)

Setup 24
Subnet Mask

 [Setup 24: Subnet Mask](#)

Setup 25
Gateway

 [Setup 25: Gateway](#)

Setup 26
Header Dump

 [Setup 26: Header Dump](#)

Setup 27
Heater Control

 [Setup 27: Heater Control](#)

Setup 28
Start Feed

 [Setup 28: Start Feed](#)

Setup 29
Alert Buzzer

 [Setup 29: Alert Buzzer](#)

Setup 30
LED Light

 [Setup 30: Internal LED Lights](#)

Setup 31
Front Interlace

 [Setup 31: Front Interlace](#)

Setup 32
Temporary

 [Setup 32: Temporary](#)

Menu 2: Test Print

Menu 2
Test Print

Run a test print to check for nozzle condition, current printer settings, printer configuration, color palette, and print head alignment.

Submenus

Test Print 1
Nozzle Check F

 [Test Print 1: Nozzle Check F](#)

Test Print 2
Mode Print

 [Test Print 2: Mode Print](#)

Test Print 3
Setup List

 [Test Print 3: Setup List](#)

Test Print 4
Palette

 [Test Print 4: Palette](#)

Test Print 5
Adjust Head

 [Test Print 5: Adjust Head](#)

Menu 3: Cleaning

Menu 3
Cleaning

Perform the print head cleaning and initial ink charging.

 [Menu 3: Cleaning](#)

Menu 4: Menu Option

Menu 4
Menu Option

Choose to show or hide the menus that are displayed in "Menu 1: Setup".

 [Menu 4: Menu Option](#)

Menu 5: System Information

Menu 5
System Info.

Display the system information on your printer.

 [Menu 5: System Info.](#)

Menu 6: Sleep Mode

Menu 6
Sleep Mode

Choose the head cleaning mode and timer to be performed before entering to or while in sleep mode.

Submenus

Sleep Mode 1
Cleaning Setting

 [Sleep Mode 1: Cleaning Setting](#)

Sleep Mode 2
Start

 [Sleep Mode 2: Start](#)

Menu 7: Display

Menu 7
Display

Change the language, and unit of temperature and length displayed on the front panel.

Submenus

Display 1
Language

 [Display 1: Language](#)

Display 2
Temperature

 [Display 2: Temperature](#)

Display 3
Length

 [Display 3: Length](#)

Menu 8: Job Status

Menu 8
Job Status

Displays the last print job status.

 [Menu 8: Job Status](#)

Menu 9: Roll Length Manage

Menu 9
Roll Length Manage


Specify the remaining roll length settings.

 [Menu9: Roll Length Manage](#)

Menu 1: Setup

Setup 1: User Type

Setup1
User Type

You can have up to 15 groups of User Type, labeled "Type1" to "Type15". When you select a User Type group ("Type") and tap  (Enter), that definition group will be set for the printer. Also, a submenu will be displayed.

Setting values

User Type:

Type 1

Select a "Type" number, from "Type1" to "Type15".

Important!

When you change to another User Type, all the settings that can be set via the User Type will be changed.

- The settings that can be set via the User Type include "Print Mode", "Effect" the adjustment value for "Adjust Print", "PF Adjust", the setting value for "Pre Heater", "Platen Heater", "Dryer", "Vacuum Fan" and "Thickness".

When using the printer for the first time or using a new roll media, configure a user type settings.

User Type:

Type 1

Making media settings.

Submenus

Type **: 1
Print Mode

 ****>1: Print Mode**

Type **: 2
Adjust Print

 ****>2: Adjust Print>**

Type **: 3
PF Adjust

 ****>3: PF Adjust**

Type **: 4
Pre Heater

 ****>4: Pre Heater**

Type **: 5
Platen Heater

 ****>5: Platen Heater**

Type **: 6
Dryer

 ****>6: Dryer**

Type **: 7
Vacuum Fan

 ****>7: Vacuum Fan**

Type **: 8
Thickness

 ****>8: Thickness**

Type **: 9
Copy User Type

 ****>9: Copy User Type**

**>1: Print Mode

Type **: 1
Print Mode

Select a print mode for the media.

- Once selected, the panel displays the effect menu.

Setting values

Mode: **Quality 3**
720 x 1440 16pass Uni

High-quality print mode.

The four types of mode are available:

Quality 3 to Quality 4.

Mode: **Graphics 1**
720 x 1080 6pass Uni

Standard print mode.

- There are two types: Graphics 1 and Graphics 2. Graphics 2 is the initial setting.

Mode: **Banner 1**
720 x 720 4pass Uni

High-speed print mode.

There are four types: Banner 1 to Banner 4.

Details of print mode

Print Mode	Resolution	Pass	Direction	Default effect settings
Quality 3	720 × 1440	16 pass	Uni (unidirectional)	Fine&Fog
Quality 4	720 × 1440	16 pass	Bi (bidirectional)	Fine&Fog
Graphics 1	720 × 1080	12 pass	Uni (unidirectional)	Fine&Fog
Graphics 2	720 × 1080	12 pass	Bi (bidirectional)	Fine&Fog
Banner 1	720 × 720	8 pass	Uni (unidirectional)	Fine&Fog
Banner 2	720 × 720	8 pass	Bi (bidirectional)	Fine&Fog
Banner 3	360 × 720	4 pass	Uni (unidirectional)	None
Banner 4	360 × 720	4 pass	Bi (bidirectional)	None

Effect

Mode: **Quality 3**
720 x 1440 16pass Uni



Select an effect setting.

Set up this menu when you want to improve print quality by adjusting the set print mode.

Setting values

** : Effect :
None

The Effect function is not used.

** : Effect :
Fine & Fog

The printing joint will shade off.

**>2: Adjust Print>

Type **: 2
Adjust Print

Sets up when adjusting the printer for the optimum quality of image print.
Before adjusting this setting, enter the thickness of the media.

Submenus

** : Adjust Print 1
Standard

Adjusts only the print mode in the user type setting which is currently set.

** : Adjust Print 2
Custom

Adjusts the print modes other than the mode in the user type setting which is currently set.

** : Adjust Print 3
Auto

Perform an automatic calibration that the printer automatically prints and scans a pattern with the embedded color sensor to correct dot placement.



Note

"Adjust Print" requires at least 550 mm printable width. Before printing, make sure that there is sufficient width on the media.

If printable width is less than 550 mm, your printer will not perform printing. Printable width on the media can be adjusted by changing CR origin and side margin (left and right side margin) settings.

["Setup 5: Media Width" P. 77](#), ["Setup 8: Origin" P. 80](#), ["Setup 3: Side Margin" P. 76](#)

Adjust Print 1: Standard

** : Adjust Print 1
Standard

Adjusts only the print mode in the user type setting which is currently set.

["Confirm pattern" P. 65](#)

["Rough adjustment pattern" P. 66](#)

["Fine adjustment pattern" P. 66](#)

Submenus

** : Standard 1
Confirm Pattern

Print the test pattern for the adjustment.
Check before adjusting.

** : Standard 2
Rough Pattern

Perform this to adjust large misalignment.
Print Adjust pattern and enter the set value.

** : Standard 3
Fine Pattern

Perform this to adjust small misalignment.
Print Adjust pattern and enter the set value.

Adjust Print 2: Custom

** : Adjust Print 2
Custom

Perform adjustment for all patterns (A to C).

☞ "Confirm pattern" P. 65

☞ "Rough adjustment pattern" P. 66

☞ "Fine adjustment pattern" P. 66

Submenus

** : Custom 1
Confirm Pattern

The test patterns of A to C will be printed for Adjust print. Check before adjusting.

** : Custom 2
Rough Pattern ALL

For printing all rough adjustment patterns from A to C.

** : Custom 3
Rough Pattern A

For printing an adjust pattern selected from A to C.

•
•
•

** : Custom 5
Rough Pattern C

For printing all fine adjustment patterns from A to C.

** : Custom 6
Fine Pattern ALL

For printing an adjust pattern selected from A to C.

** : Custom 7
Fine Pattern A

•
•
•

** : Custom 9
Fine Pattern C

Adjust Print 3: Auto

** : Adjust Print 3
Auto

Perform the automatic adjustment using the embedded color sensor.

☞ "Auto Adjustment Method" P. 67

Submenus

** : Auto 1
ALL

Perform automatic adjustment for all patterns (A to C) using the color sensor.

** : Auto 2
Standard

Perform automatic adjustment for the currently selected print mode using the color sensor (calibrate the same print mode as "Adjust Print 1 Standard").

** : Auto 3
Adjust Pattern A

Choose the adjustment pattern between A and C for automatic adjustment.

•
•
•

** : Auto 5
Adjust Pattern C


Adjustment patterns for each print mode

Print mode	Print mode specifications	Adjustment pattern
Quality 3	720 x 1440, 16 pass, Uni	
Quality 4	720 x 1440, 16 pass, Bi	B
Graphics 1	720 x 1080, 12 pass, Uni	
Graphics 2	720 x 1080, 12 pass, Bi	
Banner 1	720 x 720, 8 pass, Uni	
Banner 2	720 x 720, 8 pass, Bi	A
Banner 3	360 x 720, 4 pass, Uni	
Banner 4	360 x 720, 4 pass, Bi	

Standard or Custom Adjustment Methods

1. Print a confirm pattern and check it for printing errors.
2. Print "Rough pattern" and look for a place that is properly adjusted in the printing results of print head 1.
 - If you selected "Adjust Print 2: Custom", select "ALL" or "A" to "C".
 - The number printed under the pattern without alignment errors is the adjustment value.
3. Enter the adjustment values.
4. Follow the same procedure to adjust print head 2.
5. Print "Fine pattern" and look for a place that is properly adjusted in the printing results of print head 1.
 - If you selected "Adjust Print 2: Custom", select "ALL" or "A" to "C".
 - The number printed under the pattern without alignment errors is the adjustment value.
6. Enter the adjustment values.
7. Follow the same procedure to adjust print head 2.

Note

- Warm up the heater before printing the Confirm and Adjustment patterns.
"Skip Heater Warm Up? No" is displayed on the front panel.
- You can start printing while the printer is warming up.  ["Starting printing during warming up" P. 44](#)


CAUTION

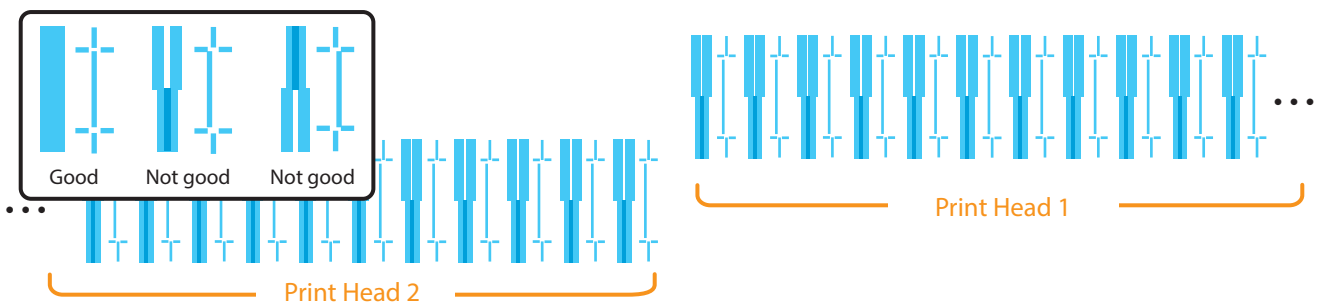


While "Warming Up" is displayed, do not touch Media guide.

You could burn yourself.

Confirm pattern





- Press the  (Enter) key to carry out printing.
- Check the printing results. If there are shifting problems, proceed to rough adjustment pattern printing.
- In the picture below, there are misalignments.

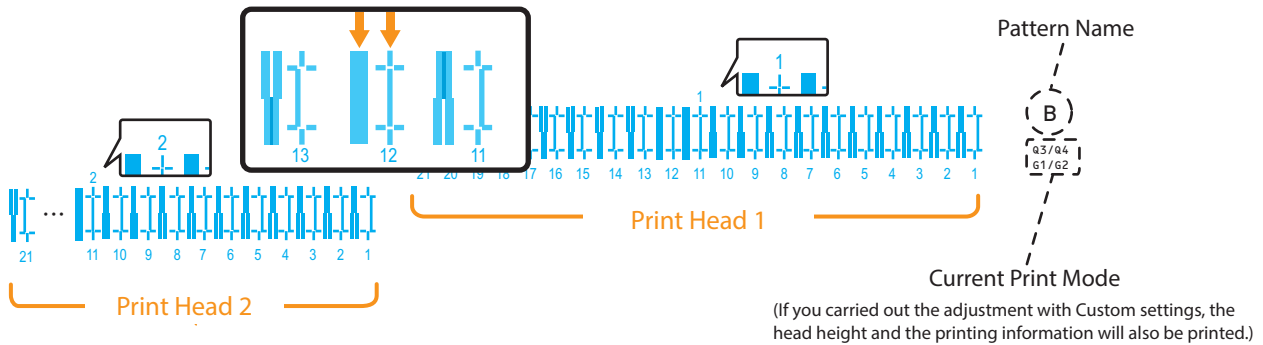


Note





Because this printer has 2 Print heads, 2 rows of confirmation pattern will be printed.

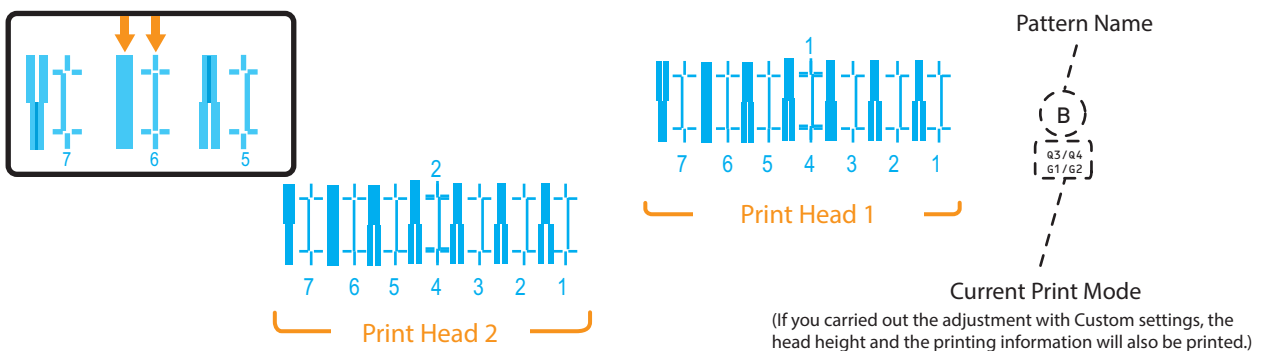
Rough adjustment pattern

- Tap  (Enter) to carry out printing.
- For Head 1, check the print results and select the number that looks most aligned between 1 and 21.
- Pattern names such as “Pattern B1: 11” are shown on the display. Use  or  to enter the number of the best-adjusted pattern, and tap  (Enter).
- In the case of the picture below, enter “12”, so that the display reads “Pattern B1: 12”. Follow the same procedure to adjust print head 2.





Fine adjustment pattern


- Tap  (Enter) to carry out printing. For the Fine pattern, the same patterns will be printed repeatedly on both sides and center of the media.
- For Head 1, check the print results on both sides and center of the media and select the number that looks most aligned between 1 and 7.
- Pattern names such as “Pattern B1: 4” are shown on the display. Use  or  to enter the number of the best-adjusted pattern, and tap  (Enter).
- In the case of the picture below, enter “6”, so that the display reads “Pattern B1: 6”. Follow the same procedure to adjust print head 2.



Auto Adjustment Method

1. Select the adjustment pattern from "ALL", "Standard", or any specific pattern between "Adjust Pattern A" and "Adjust Pattern C".
 - The selected adjustment pattern is printed.
 - The printer scans the print using the embedded color sensor, then automatically corrects the dot placement.
2. Once successfully completed, the message "Auto Adjust Succeeded End->Enter" will appear on the panel.
 - If failed, the message "Auto Adjust Failed End -> Enter" will appear on the panel.Tap  (Enter) to end the adjustment.
 - Try Auto Adjust again or perform Standard or Custom adjustment.
3. Tap  (Enter) to exit the menu.

Note

- If failed in the middle of the calibration, the adjustment value for the pattern which has been successfully calibrated will be saved in the printer, but the adjustment value for the pattern which has been failed to calibrate or has not been calibrated yet will not be saved in the printer.
- Warm up the heater before printing the Confirm and Adjustment patterns.
"Skip Heater Warm Up? No" is displayed on the front panel.
- You can start printing while the printer is warming up.
 ["Starting printing during warming up" P. 44](#)
- If print defects (like banding or grainy look) still appear on the print, try an auto calibration again, or go to "Adjust Print1/ Standard" or "Adjust Print2/ Custom" to perform calibration.
- If a roll media starts to cockle during calibration, load the media again.

CAUTION



While "Warming Up" is displayed, do not touch Media guide.
You could burn yourself.

**>3: PF Adjust

Type **: 3
PF Adjust

Sets up various settings on the Media feed correction.

When the following defects are found in printing results, they may improve by conducting a media feed correction.

- Images are overlapping.
- There are white lines in images.

Submenus

** : PF Adjust 1
Initial Print

 ["PF Adjust 1: Initial Print" P. 70](#)

** : PF Adjust 2
Initial Change

 ["PF Adjust 2: Initial Change" P. 70](#)

** : PF Adjust 3
Confirm Print

 ["PF Adjust 3: Confirm Print" P. 71](#)

** : PF Adjust 4

Micro Print

 ["PF Adjust 4: Micro Print" P. 72](#)

** : PF Adjust 5
Micro Change

 ["PF Adjust 5: Micro Change" P. 72](#)

** : PF Adjust 6

Auto

 ["PF Adjust 6: Auto" P. 72](#)

Note

"PF Adjust" requires at least 400 mm printable width. Before printing, make sure that there is sufficient width on the media.

If printable width is less than 400 mm, your printer will not perform printing. Printable width on the media can be adjusted by changing CR origin and side margin (left and right side margin) settings.

 ["Setup 5: Media Width" P. 77](#), ["Setup 8: Origin" P. 80](#), ["Setup 3: Side Margin" P. 76](#)

Automatic PF adjustment method:






1. Select "PF Adjust 6: Auto".

- The printer automatically performs a PF adjustment.
- If the print defect persists after automatic PF adjustment, perform manual PF adjustment.


 ["Manual PF adjustment method using adjustment print." P. 69](#)

Manual PF adjustment method using adjustment print.

You will need a ruler to perform this adjustment.

1. Select "PF Adjust 1: Initial Print".
 - "Feed Length: 250 mm" is displayed on the front panel.
2. After the initial adjustment printing, cut the media.
 - Measure the distance between the " + " in the initial adjustment print using a ruler.
3. Refer to Chapter 1 "[Media feed adjustment steps](#)" P. 38 and select "PF Adjust 2: Initial Change" on the front panel.
4. Use  or  on the front panel and enter the measured value in Step 2.
 - Tap  (Enter) to save the initial adjustment value.
5. Use  or  on the front panel to select "PF Adjust 3: Confirm Print".
 - "Feed Length: 250 mm" is displayed on the front panel.
6. After the confirmation adjustment printing, cut the media.
 - Measure the distance between the " + " in the confirmation adjustment print using a ruler. Then, confirm that the distance matches the feeding length when printing.
 - If the distance does not match the feeding length, follow the procedure from Step 1 to Step 5 and readjust.
 - If the distance matches the feeding length, proceed to Step 7.
7. Refer to Chapter 1 "[Media feed adjustment steps](#)" P. 38 and select "PF Adjust 4: Micro Print" on the front panel.
 - Check the pattern and micro adjustment value. In the pattern, look for a place that has least white lines or overlapping in images. The number printed below the adequate pattern is the micro adjustment value.

Note

- Warm up the heater before printing the Confirm and Adjustment patterns.
"Skip Heater Warm Up? No" is displayed on the front panel.
- You can start printing while the printer is warming up.
 "[Starting printing during warming up](#)" P. 44

8. Enter the micro adjustment value according to the printing result in Step 7.

When you know the adjustment value (when changing the media or for similar operations)

1. Enter the adjustment value for "PF Adjust 5: Micro Change".
2. Select whether you wish to print a confirm pattern and complete the setup.

PF Adjust 1: Initial Print

** : PF Adjust 1
Initial Print

Performs Initial Print. Enter the "Feed Length" and tap  (Enter).

Setting values

** : Initial Print :
Feed Length: 250 mm

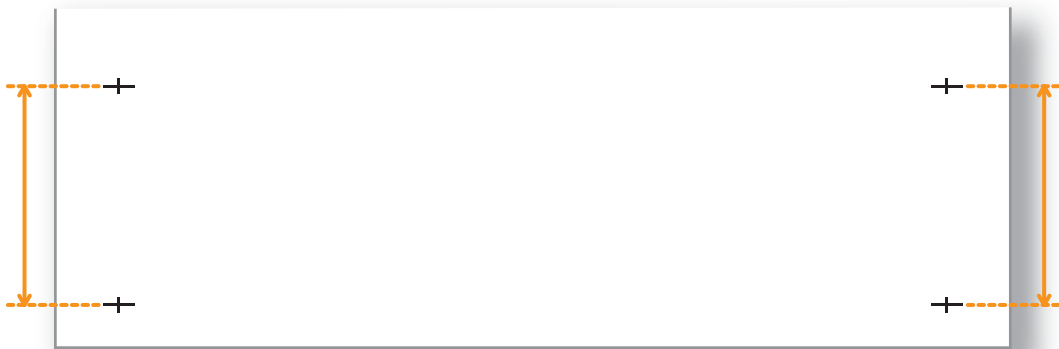
100 mm to <250 mm> to 500 mm
<> indicates the initial value.

- After the initial adjustment printing, cut the media.
- With a ruler, measure the length between " + " in the pattern.
In the example below, the measured place is shown in orange dotted lines and arrows.

Note




The length of media that is fed (feeding length) for initial adjustment printing is normally set at 250 mm. If you increase the feeding length, the accuracy of the Media feed adjustment improves.

To change the feeding length, tap  or  on the front panel and change the set value.



PF Adjust 2: Initial Change

** : PF Adjust 2
Initial Change

Use  or  to enter the adjustment value, and tap  (Enter).

Setting values


** : Initial Change :
Init. : 250.0 mm / 250 mm

You can set a value that is between +50 mm and -50 mm of the feed length configured in "Initial Print".

PF Adjust 3: Confirm Print

** : PF Adjust 3
Confirm Print

Performs Confirm Print.

Enter the "Feed Length" and tap  (Enter).



Setting values

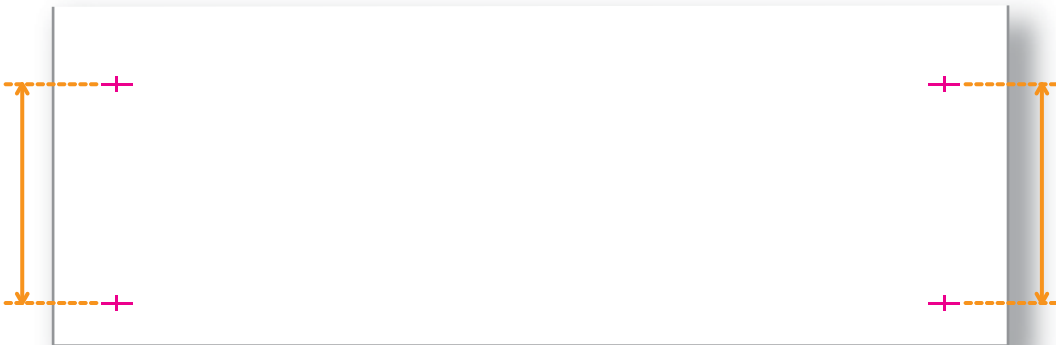
** : Initial Print :
Feed Length: 250 mm

100 mm to <250 mm> to 500 mm
<> indicates the initial value.

- After the confirmation adjustment printing, cut the media.
- With a ruler, measure the length between " + " in the pattern. In the example below, the measured place is shown in orange dotted lines and arrows (the orange parts are not actually printed).
- If the measured length does not match the feeding length, re-correct with [PF Adjust 1: Initial Print](#).
- If the measured length matches the feeding length, proceed to [PF Adjust 4: Micro Print](#).

Note

The length of media that is fed (feeding length) for initial adjustment printing is normally set at 250 mm. If you increase the feeding length, the accuracy of the Media feed adjustment improves. To change the feeding length, tap  or  on the front panel and change the set value.



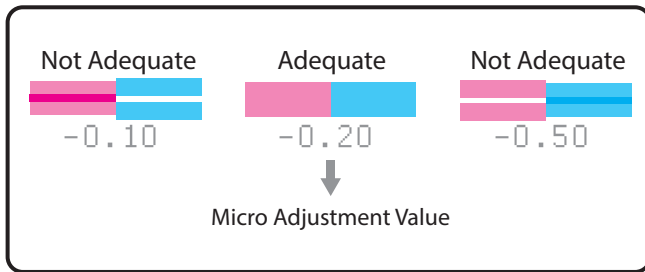
PF Adjust 4: Micro Print

**** : PF Adjust 4**
Micro Print

Performs Micro adjustment Print.

Enter the appropriate micro adjustment value according to the print result.

- Observe the pattern and verify the micro adjustment value. In the pattern, look for a place that has least white lines or overlapping in images. The number printed below the pattern is the micro adjustment value. Enter the micro adjustment value according to the print result.



Note

Once an appropriate micro adjustment value has been saved, the value will be the baseline value from the next time to be printed in the center of the pattern.

For example, if you have entered "-0.20" and print a micro adjustment pattern, values printed below block pattern will be changed to (from left) +1.00, +0.60, +0.30, 0.00, -0.20 (baseline value), -0.30, -0.40, -0.70, -1.00, -1.40.

PF Adjust 5: Micro Change

**** : PF Adjust 5**
Micro Change

Use or to enter the adjustment value, and tap (Enter).

Select whether you wish to perform confirmation print and complete the setup.

Setting values

**** : Micro :**
(-5 - 5) 0.00%

-5.00% to <0.00%> to 5.00%
<> indicates the initial value.

PF Adjust 6: Auto

**** : PF Adjust 6**
Auto

When the menu on the left appears, tap (Enter).

The printer will automatically perform a PF adjustment.




Note

- After automatic PF adjustment is performed, the micro change value will be automatically updated.
 ["PF Adjust 5: Micro Change" P. 72](#)
- After automatic PF adjustment is performed, the initial change value might be reset.
 ["PF Adjust 2: Initial Change" P. 70](#)

**>4: Pre Heater

Type **: 4
Pre Heater

Sets up Pre Heater.

Use  or  to enter the value, and tap  (Enter).

Setting values




** : Pre Heater :
(30 - 50) 30°C

Off / <30°C> to 50 °C
<> indicates the initial value.

**>5: Platen Heater

Type **: 5
Platen Heater

Sets up Platen Heater.

Use  or  to enter the value, and tap  (Enter).

Setting values




** : Platen Heater :
(30 - 50) 30°C

Off / <30°C> to 50 °C
<> indicates the initial value.

**>6: Dryer

Type **: 6
Dryer

Sets up Dryer.

Use  or  to enter the value, and tap  (Enter).

Setting values

** : Dryer :
(30 - 50) 30°C

Off / <30°C> to 50 °C
<> indicates the initial value.

CAUTION






The message "Warming up" appears while the heater is functioning.
While "Warming Up" is displayed, do not touch the media guide.
You could get burn injuries.

**>7: Vacuum Fan

Type **: 7
Vacuum Fan

Selects the vacuum level.

Use  or  to select the value, and tap  (Enter).

- If you are using a thin or delicate media and there is risk of it wrinkling due to the fan, set a lower value for the fan.

Setting values




** : Vacuum Fan :
High

Low / Medium / <High> / Ex High
<> indicates the initial value.

**>8: Thickness

Type **: 8
Thickness

Sets the thickness of the media you are using.


Use  or  to enter the value, and tap  (Enter).

Setting values

** : Thickness :
170 µm

80 µm to <170 µm> to 2,800 µm
<> indicates the initial value.

Note

- This menu is to automatically adjust print quality to a certain extent. If you want to improve print quality, manually adjust it.
 **"**>2: Adjust Print"> P. 62**
- If you have adjusted the print settings, you do not need to configure the thickness of the media in this menu.

**>9: Copy User Type

Type **: 9
Copy User Type

This is for copying the currently selected User Type setting into another User Type.

The items that will be copied are:

- "Print Mode", "Effect"
- The adjustment value for "Adjust Print", "PF Adjust"
- The setting value for "Pre Heater", "Platen Heater", "Dryer", "Vacuum Fan", and "Thickness"

Setting values

** : UserCopy :
Type ** -> 1

** : UserCopy :
Type ** -> ALL

Here you can select the User Type to copy the settings into.

If you select ALL, the settings will be copied into all the User Type.

Setup 2: Spitting

Setup 2 Spitting

Sets up the spitting operation while printing.

The display will shift to setting of the pass count only if "On" is set for "Spitting".

Setting values

Spitting:

On

Perform the spitting operation on Spitting box located on the origin side for every shuttle.

This is the initially set value.

Spitting:

On Media

Perform the spitting operation on the page margins. The printing speed will be improved since the number of time to return to Spitting box is reduced.

Spitting:

Off

Spitting operation is not performed.

Note

- Spitting is a maintenance operation for preventing clogging of the print head's nozzles. It consumes ink.
- When Spitting is set to "Off", nozzles will become easily clogged because spitting is not performed. In such a case, print quality cannot be guaranteed.
- When the spitting setting is "On Media", the maximum printable media width becomes 16 mm shorter. Therefore, the side margins become the value that you have set in Side Margin menu +8 mm.

 ["Setup 3: Side Margin" P. 76](#)

Pass Count menu

Spitting:




On

Spitting:

On Media

This is for setting the interval at which the print head will carry out spitting operation.

The head will carry out spitting operation every time it completes the number of passes that you set here.

Use  or  to enter the value, and tap  (Enter).

Setting values

Pass Count:
(1 - 999)

1 cnt

<1 cnt> to 999 cnt

<> indicates the initial value.

Important!

If larger count is selected, the printing time will be faster, but it will increase the chance of nozzle clogging. In such a case, print quality cannot be guaranteed.




<Example of spitting operation>

Spitting setting	Pass Count setting	Operation
On	1 cnt	Perform the spitting operation on Spitting box every time Print head returns to the origin position. Spitting operation is not performed over the media.
On	5 cnt	Performs the spitting operation on Spitting box on the origin side every five times Print head returns to the origin position. Spitting operation is not performed over the media.
On Media	1 cnt	Performs the spitting operation on Spitting box on the origin side every time Print head returns to the origin position. Perform the spitting operation on Spitting box every time Print head returns to the origin position.
On Media	5 cnt	Performs the spitting operation on Spitting box on the origin side every five times Print head returns to the origin position. Perform the spitting operation on Spitting box every time Print head returns to the origin position.
Off	—	Spitting is not performed on Spitting box or the media.

Setup 3: Side Margin

Setup 3 Side Margin

Set up the right and left margins (side margins) while printing.

Use  or  to enter the value, and tap  (Enter).

Setting values

Side Margin:
(5 - 25)

5 mm

<5 mm> to 25 mm

<> indicates the initial value.

Note

When the "Spitting menu" is set to "On Media", the maximum printable media width becomes 16 mm shorter. Therefore, the side margins become the value that you have set in Side Margin menu +8 mm.

 ["Setup 2: Spitting" P. 75](#)

Setup 4: Media Initial

Setup 4 Media Initial

Sets whether to detect the media width while initializing the media.

Setting values

Media Initial: Off	The media will not be detected.
Media Initial: Top&Width	Detect the media width and edge while initializing the media.
Media Initial: Width	Detect the media width while initializing the media. This is the initially set value.



Note

When "Media Initial menu" is set to "Off", set the media width of the current media in Media Width menu.

Setup 5: Media Width

Setup 5 Media Width

Sets the width of the current media when the "Media Initial menu" is set to "Off". When the "Media Initial menu" is set to "Width", the detected media width will be displayed.

Use or to enter the value, and tap (Enter).

Setting values

Media Width: (210 - 1625) 1000 mm	210 mm to <1,000 mm> to 1,625 mm <> indicates the initial value.
------------------------------------------------	---------------------------------------------------------------------

Setup 6: Output Mode

Setup 6 Output Mode

Sets how the media is handled after printing.

Setting values

Output Mode: Off	The Take-up Unit will not be used. This is the initially set value.
Output Mode: Take Up	Set when using the Take-up Unit.
Output Mode: Auto Cut	Set when cutting the media automatically. "Setup 7: Method of Cut" P. 79

When the "Output Mode" is set to "Take Up"



When the "Output Mode" is set to "Take up", the menu is shifted to "Page Gap". In the "Page Gap" menu, you can change the margin setting between images.

Setting values






The default margin setting between images will be applied. This is the initially set value.



The margin setting between images is smaller than Normal.

After setting the Page Gap, sets the Ink drying time.

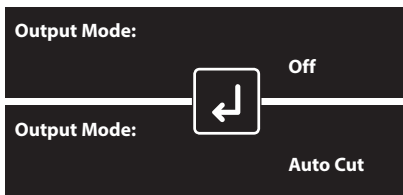
Use  or  to enter the value, and tap  (Enter).

Setting values






<0 sec> to 60 min
<> indicates the initial value.

When the "Output Mode" is set to "Off" or "Auto Cut"



Sets the ink drying time.

Use  or  to enter the value, and tap  (Enter).

Setting values



<0 sec> to 60 min
<> indicates the initial value.

Setup 7: Method of Cut

Setup 7 Method of Cut

Sets the media cutting operation after printing.

Setting values

Method of Cut:

Single Cut - 2 steps

Cut with fewer steps than "Single Cut - 3 steps".

Suitable for media with narrow width.

Method of Cut:

Single Cut - 3 steps

Normal cutting method.

This is the initially set value.

Method of Cut:

Double Cut - 2 steps

Set when unable to cut with "Single Cut - 2 steps".

Suitable for media with narrow width.

Method of Cut:

Double Cut - 3 steps

Set when unable to cut with "Single Cut - 3 steps".

Note

- When the media detection is set to "Off", the media cannot be cut automatically.

 ["Setup 4: Media Initial" P. 77](#)

- Some media may not be cut (cannot be cut at all or cannot be cut finely). In such a case, set the "Output Mode menu" to "Off" and cut the media manually.

 ["Setup 6: Output Mode" P. 77](#)

Cut Pressure menu

Method of Cut:

Single Cut - 3 steps



Sets the media cutting pressure for the cutting operation.

Setting values

Cut Pressure:

Low

Cut the media at low pressure.

Suitable for thin media or if the "High" pressure setting is too strong.

Cut Pressure:






High

Normal cutting pressure.

This is the initially set value.

Setup 8: Origin

Setup 8 Origin

- Sets the print start position (origin) on the media.
If you want to change the print start position to print an image on the blank space of the media, use this menu.
-  / : Change the print start position (origin) in the PF (media feeding) direction.
-  / : Change the print start position (origin) in the CR (carriage traveling) direction.
- Tap  (Enter) to confirm the setting.

Setting values

Origin:
PF: -15000 CR: 1405

PF (media feeding direction):
-15,000 mm to 15,000 mm
CR (carriage traveling direction)
0 mm to 1,405 mm (maximum setting range
varies by width of media being loaded).

Origin:
PF: 0 CR: 0

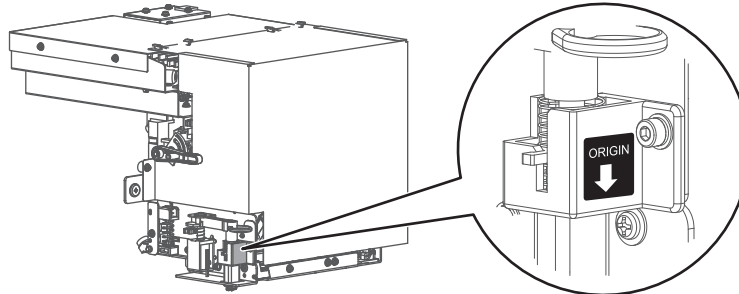
Confirm Position
End -> Enter

When the message on the left appears, tap





(Enter) to end the origin settings.

The arrow mark on the origin label shows the current print start position in CR direction.



Note

- Depending on the set value of the side margin, the maximum set value of CR (print head transferring distance) decreases.
 ["Setup 3: Side Margin" P. 76](#)
- The right side margin will be the following sum depending on the setting.
CR of Origin menu + 8 mm (when the spitting is set to On Media) + Value set in Side Margin menu.
 ["Setup 2: Spitting" P. 75](#), ["Setup 3: Side Margin" P. 76](#)

Setup 9: Prevent Stick menu

Setup 9 Prevent Stick

Sets up to prevent media from sticking when printing starts.

Setting values

Prevent Stick: Off

The stick-prevent operation is not performed.
This is the initially set value.

Prevent Stick: On

The stick-prevent operation is performed.
Feed the media back and forth to prevent from sticking.



Note

When the "Output Mode menu" is set to "Take-up", the setting for the "Prevent Stick menu" is disabled.

["Setup 6: Output Mode" P. 77](#)

Setup 10: Standby Heating

Setup 10 Standby Heating

Sets the time to preheat Heater while the printer is in the standby mode.
When the preset time has passed, each Heater turns Off.

Use or to enter the value, and tap (Enter).

Setting values

Standby Heating:
(10 - 60) 60 min

10 min to <60 min>
<> indicates the initial value.

Setup 11: Head Travel

Setup 11 Head Travel

Sets up the range that Print head moves while printing.

Setting values

Head Travel: Data

Print head moves the range of the print data width.

Head Travel: Machine

Print head moves from origin to the maximum printable media width.




Head Travel: Media

Print head shifts within the media width.
This is the initially set value.

Setup 12: Multi Strike

Setup 12 Multi Strike

Sets up the overwrite count per line.

Use  or  to enter the value, and tap  (Enter).

Setting values

Multi Strike:
(1 - 9) **1 cnt**




<1 cnt> to 9 cnt

<> indicates the initial value.

Setup 13: Strike Wait

Setup 13 Strike Wait

Sets up the waiting time while overwrite printing.

Use  or  to enter the value, and tap  (Enter).

Setting values

Strike Wait:
(0.0 - 5.0) **0.0 sec**

<0.0 sec> to 5.0 sec

<> indicates the initial value.

Setup 14: Slant Check

Setup 14 Slant Check

Sets up slanting detection during media loading.

Setting values

Media Slant: **Off**

Slant Check is not performed.
This is the initially set value.

Media Slant: **On**

Slant Check is performed.

Setup 15: Auto Cleaning

Setup 15 Auto Cleaning

Configure the settings for the auto cleaning operation.

Submenus

Auto Cleaning 1
Standby Mode

 [Standby Mode menu](#)

Auto Cleaning 2
While Printing

 [While Printing menu](#)

Auto Cleaning 3
Before Print

 [Before Print menu](#)

Standby Mode menu

Auto Cleaning 1 Standby Mode

The display goes to the Cleaning Interval setting to set the timer for auto cleaning while in standby mode.
The cleaning type is fixed to "Little Charge".

Setting values

Cleaning Interval:

Off

<Off> / 10 min to 1,440 min

<> indicates the initial value.

While Printing menu

Auto Cleaning 2 While Printing

The display goes to the Cleaning Interval setting to set the timer for auto cleaning while in printing.
The cleaning type is fixed to "Little Charge".

Setting values

Cleaning Interval:

Off

<Off> / 5 min to 180 min

<> indicates the initial value.

Before Print menu

Auto Cleaning 3 Before Print

Choose the auto cleaning mode to be performed before printing.

Setting values

Before Print:

Off

<Off> / Short / Normal / Long

<> indicates the initial value.

Print stop menu



Sets whether or not to display “Roll Remain Error” and pause printing when the length of the media that is counted inside the printer becomes 0.

Setting values



The media remaining count is not used to judge for pausing printing. Printing pauses when the rear sensor responds. This is the initially set value.



Even when the rear sensor does not respond, printing pauses when the media remaining count becomes 0.

Note

- Normally you can set this as “Off” as the rear sensor detects when the roll paper is finished.
- If you are using the media that does not come off the paper core easily when it is finished, printing may not be paused when the media is finished, if the “Print stop menu” is set to “Off”. If this happens, set this to “On”.

Near End menu



Sets whether or not to display “Roll Near End: *m” (* is replaced with a number between 1 and 10) before the length of the media that is counted inside the printer becomes 0.

Setting values



“Near end” is not displayed. This is the initially set value.



“Near end” is displayed when the remaining count for the media becomes the length you selected.

Setup 18: Exhaust Fan

Setup 18 Exhaust Fan

Sets up Exhaust fan operation.

Ventilates the inside of the printer to stabilize the parts performance. It also decreases the contamination by ink mist inside the printer.

We recommend that you use Exhaust fan, especially when printing for a long time.

Setting values

Exhaust Fan: Off

Turn Off Exhaust fan.

Exhaust Fan: Low

Start Exhaust fan at Low.
This is the initially set value.

Exhaust Fan: High

Start Exhaust fan at High.

Setup 19: Longstore


Setup 19 Longstore

Wash Print head with the cleaning fluid.

Submenu

Longstore
Start -> Enter

Wash Print head with the cleaning fluid.

Tap  (Enter) to perform head cleaning.

 ["Long-term storage" P. 150](#)

Important!

Be sure to use the designated cleaning bag.

Setup 20: CR Maintenance

Setup 20 CR Maintenance

Performs maintenance. Used in the following cases.

- Cleaning and replacing of cleaning wiper
- Cleaning of print head circumference
- Replacing absorption material for the flushing box
- Replacing cutter


 ["Maintenance" P. 114](#)

Submenus

CR Maintenance
Start -> Enter

Performs maintenance.

CR Maintenance
End -> Enter

Completes maintenance.
Perform the pumping operation (start/stop) by using .

Setup 21: Initialization

Setup 21 Initialization

Restore the printer settings to the factory default.

Setting values

Initialization:
ALL

For initializing the settings of all the menus.

Initialization:
UserType

Initializes the settings in the User Type menu.

Initialization:
Except UserType


Initializes the settings other than the ones in the User Type menu.

Setup 22: Life Times

Setup 22 Life Times

Displays the operational life time of each part.

- The lifetime of each part is indicated by the asterisks (Maximum 5 asterisks: 100% left). As the part deteriorates, the number of asterisks decreases one by one (20%).
- The part should be changed when all of the asterisks have disappeared and "Change" is displayed.
Contact your local MUTOH dealer to ask for replacing parts.
- After "Change" appears, "Life Times [Pump *]" or a similar message will be displayed when you are not in this menu.

You can delete this message by pressing the  (Cancel) key.

Life Times
Head1: E*** F

Displays the service life for the print head 1.

The service life in this case is at 60%.

Life Times
Head2: E*** F

Displays the service life for the print head 2.

The service life in this case is at 60%.

Life Times
Pump1: E*** F

Displays the service life for the pump 1.

The service life in this case is at 60%.

Life Times
Pump2: E*** F

Displays the service life for the pump 2.

The service life in this case is at 60%.

Life Times
C Pump: E*** F

Displays the service life for the Circulation pump.

The service life in this case is at 60%.

Life Times
CR Motor: Change

Displays the service life for the CR motor. The service life of the component in this case is over.

Have the component replaced.

Life Times
PF motor: E**** F





Displays the service life for the PF motor.


The service life in this case is at 80%.

Setup 23: IP Address

Setup 23 IP Address

Sets the IP address of the printer.

- Use  to increase a digit.
- Use  to decrease a digit.
- Use  to move the cursor to the previous digit.
- Use  to move the cursor to the next digit.

Tap  (Enter) after entering each digit.

Setting values

IP Address:
192. 168. 1. 253

0.0.0.0 to <192.168.1.253> to
255.255.255.255
<> indicates the initial value.







Note


Be sure to set the IP address, Subnet mask, and Gateway after consulting the network administrator.

Setup 24: Subnet Mask

Setup 24 Subnet Mask

Sets the subnet mask of the printer.

- Use  to increase a setting value.
- Use  to decrease a setting value.
- Use  to move the cursor to the previous digit.
- Use  to move the cursor to the next digit.

Tap  (Enter) after entering each digit.

Setting values





Subnet Mask:
255. 255. 255. 0


0.0.0.0 to <255.255.255.0> to
255.255.255.255
<> indicates the initial value.

Setup 25: Gateway

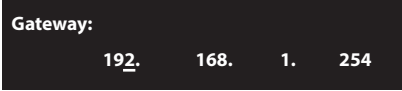
Setup 25 Gateway

Sets the gateway.

- Use  to increase a setting value.
- Use  to decrease a setting value.
- Use  to move the cursor to the previous digit.
- Use  to move the cursor to the next digit.

Tap  (Enter) after entering each digit.

Setting values

Gateway:	0.0.0.0 to <192.168.1.254> to 255.255.255.255
	<> indicates the initial value.





Setup 26: Header Dump

Setup 26 Header Dump

Sets whether to print the following information when printing.

- Data header
- Data dot number (printed only when Header dump setting is "On")
- Printing date and time
- Printer serial number
- Firmware version
- Receiving time (printed only when Header dump setting is "Dump")
- Receiving size (printed only when Header dump setting is "Dump")

Setting values

	Dump data is not printed. This is the initially set value.
	Dump data is printed after the original image is printed.
	Prints only dump data. "Data dot number" is not printed.
	Prints the last header dump. If no history is available, "No Print Data" will appear on the front panel.

Note

- The data will be useful when contacting technical support.
- Performing printing if the printer is connected to PC, the print settings of RIP soft you are using are printed on data header.

Setup 27: Heater Control

Setup 27 Heater Control

Choose the appropriate heater mode for your media being loaded.
If the media cockling is visible on the print, you can reduce it by selecting the appropriate heater mode.

Setting values

Heater Control:

Normal

If you are using the non-heat sensitive media, choose the Normal mode.
This is the initially set value.

Heater Control:

Fixer

If you want to reduce time to start printing and make media cockling less visible, choose the Fixer mode.

Heater Control:

Dryer

If you are using the take-up unit and want to make media cockling less visible without reducing drying performance, choose the Dryer mode.

Setup 28: Start Feed

Setup 28 Start Feed

You can change the margin setting between images.

- Value greater than 0: The margin setting between images will be wider than when setting "0".
- Value equal to 0: The default margin setting between images will be applied.
- Value less than 0: The margin setting between images will be smaller than when setting "0".

Setting values

Start Feed:

(-10 - 500)

0 mm

-10 mm to <0 mm> to 500.0 mm
<> indicates the initial value.



Note

With take-up system: if you want to set "Start Feed" to below 0, set "Page Gap" to "Narrow".
If not, the Start Feed setting is not reflected properly.

"When the "Output Mode" is set to "Take Up" P. 78

Setup 29: Alert Buzzer

Setup 29 Alert Buzzer

Selects how to turn off the printer beep sound when an error occurs. For unattended printing, you can select "Off" setting to avoid continuous buzzer beep.

Setting values

Alert Buzzer: On

Press any key on the front panel to turn off beep sound.

This is the initially set value.

Alert Buzzer: Off

After several beeps, the printer

automatically turns off beep sound.

Setup 30: Internal LED Lights

Setup 30 LED Light

Selects the internal LED lights settings.

The lights help to inspect inside of the printer or your print during printing.

Submenus

LED Light: Auto

The LED lights automatically turn on while printing, front cover open, initializing media, cutting media, specifying print start position (origin), and feeding media.

The default is set to Auto.

LED Light: On

The LED lights are always on. It will turn off while in sleep mode or when the printer is powered off.

LED Light: Off

The LED lights are disabled.

Setup 31: Front Interlace

Setup 31 Front Interlace

Select to enable or disable the Front Interlace function.

It automatically fine tunes the media feeding amount of the first print swath to improve print quality.

Use the "Auto" setting for normal print job.

In following cases, try with "Off" setting to see if the print quality is improved:

- If the print defect due to nozzle missing is found on the first print swath of the print.
- If the print quality is clearly different between the first print swath and rest of the area on the print.

Submenus

Front Interlace: Auto

Automatically enable the Front Interlace function as needed.

The default is set to "Auto".


Front Interlace: Off

Disable the Front Interlace function.

Setup 32: Temporary

Setup 32
Temporary

Displays the menus which have been set to hide in the "Menu4: Menu Option" temporarily.

Tap  (Enter) to return to the previous menu with all set up items displayed.

Menu 2 : Test Print

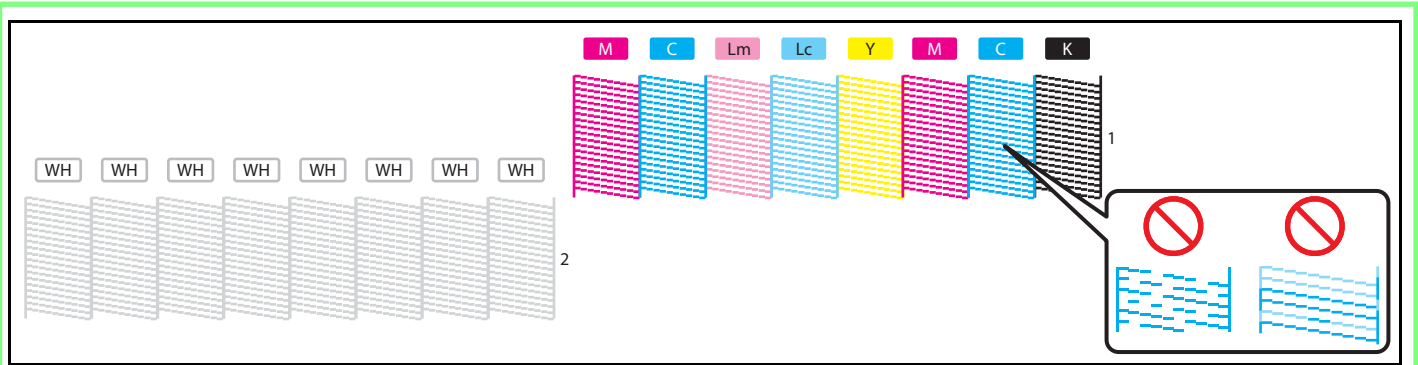
Test Print 1: Nozzle Check F

Test Print 1

Nozzle Check F

Use this menu to check that the print head and print nozzles you selected can properly print without nozzle clogging and missing or too light lines.

 ["Nozzle check F steps" P. 31](#)



 Note

- The printer information (date and time printed, printer's serial number, firmware version) is printed on the nozzle check pattern.

Test Print 2: Mode Print

Test Print 2

Mode Print

Mode print can be performed. Used to confirm the following printing conditions.

- Print quality
- Effect
- Setting value for Heater
- Micro adjustment value for feed correction

2019/1/01 0:00 G2(720x1080 6Pass Bi) -Fine&Fog/Pre: 30°C/Platen: 30°C/Dryer: 30°C/PF Adjust : 0.00%

Test Print 3: Setup List

Test Print 3

Setup List

Setup list printing is performed.

Use this to check the current setting contents and the User Type.

Setup List

Setup List

Information		Serial No.		Firmware M		Firmware C		Error		2016/01/01 000	
Model	→ VJ1480XX	Firmware M	→ VJ3.0	0:None	1:None	2:None	3:None	4:None	5:None		
Memory Size	→ 384MB	Firmware C	→ VJ3.0	1:None							
Menu Setup											
[Number] [Select] Menu	= Setup					[Number] Menu	= Setup				
[1] [User Type]	= Type 1					[1] [Maintenance]	= Off				
[2] [Print Mode]	= Graphics 2 Effect					[2] [Cleaning]	= 30%				
[3] [FF Adjust]	= 250.0/250.0mm					[3] [Auto Cleaning]	= Off				
[4] [Heater (Upper)]	= Off					[4] [Sleep Mode]	= 6h				
[5] [Heater (Lower)]	= Off					[5] [Language]	= English				
[6] [Vacuum Fan]	= High					[6] [Temperature]	= Celsius(°C)				
[7] [Thickness]	= 170µm					[7] [Length]	= mm				
[8] [Micro Adjust]	= 0.00%					[8] [Ink Level Dump]	= Off				
[9] [Media Width]	= Roll (Length = 28m)					[9] [Address]	= 162.168.104.128				
[10] [Head Feed]	= On/HeadFeed = 10m					[10] [Subnet Mask]	= 255.255.255.0				
[11] [User Feed]	= Off					[11] [Gateway]	= 192.168.104.254				
[12] [Data Merge]	= On					[12] [Menu Option]	= Off				
[13] [Design]	= Off					[1] [Remain Ink]	= 1334: 0/ 0/ 0/ 0				
[14] [Printed Lock]	= On					[2] [Life Times]	= 5678: 0/ 0/ 0/ 0				
[15] [Sleep Check]	= Off					[Head1]	: ***** Pump2 : *****				
[16] [Overheat Mode]	= Take Up / Normal					[Head2]	: ***** Pump3 : *****				
[17] [Method of Cut]	= SoftEmp / Hard					[Head3]	: ***** Pump4 : *****				
[18] [Head Tweak]	= SoftEmp / Hard					[Head4]	: ***** Pump5 : *****				
[19] [Multi Stroke]	= 1cm					[Head5]	: ***** Pump6 : *****				
[20] [Stroke Width]	= 0.5mm					[Head6]	: ***** Pump7 : *****				
[21] [Stitch Feed]	= Off					[Head7]	: ***** Pump8 : *****				
[22] [Stitchy Heating]	= 10mm					[3] [Version]	= ***** PP Model : *****				
[23] [Print Head]	= Normal					[4] [Job]	= *****				
[24] [Print Head]	= Normal										
[25] [Print Head]	= Normal										
[26] [Print Head]	= Normal										
[27] [Print Head]	= Normal										
[28] [Print Head]	= Normal										
[29] [Print Head]	= Normal										
[30] [Print Head]	= Normal										
[31] [Print Head]	= Normal										
[32] [Print Head]	= Normal										
[33] [Print Head]	= Normal										
[34] [Print Head]	= Normal										
[35] [Print Head]	= Normal										
[36] [Print Head]	= Normal										
[37] [Print Head]	= Normal										
[38] [Print Head]	= Normal										
[39] [Print Head]	= Normal										
[40] [Print Head]	= Normal										
[41] [Print Head]	= Normal										
[42] [Print Head]	= Normal										
[43] [Print Head]	= Normal										
[44] [Print Head]	= Normal										
[45] [Print Head]	= Normal										
[46] [Print Head]	= Normal										
[47] [Print Head]	= Normal										
[48] [Print Head]	= Normal										
[49] [Print Head]	= Normal										
[50] [Print Head]	= Normal										
[51] [Print Head]	= Normal										
[52] [Print Head]	= Normal										
[53] [Print Head]	= Normal										
[54] [Print Head]	= Normal										
[55] [Print Head]	= Normal										
[56] [Print Head]	= Normal										
[57] [Print Head]	= Normal										
[58] [Print Head]	= Normal										
[59] [Print Head]	= Normal										
[60] [Print Head]	= Normal										
[61] [Print Head]	= Normal										
[62] [Print Head]	= Normal										
[63] [Print Head]	= Normal										
[64] [Print Head]	= Normal										
[65] [Print Head]	= Normal										
[66] [Print Head]	= Normal										
[67] [Print Head]	= Normal										
[68] [Print Head]	= Normal										
[69] [Print Head]	= Normal										
[70] [Print Head]	= Normal										
[71] [Print Head]	= Normal										
[72] [Print Head]	= Normal										
[73] [Print Head]	= Normal										
[74] [Print Head]	= Normal										
[75] [Print Head]	= Normal										
[76] [Print Head]	= Normal										
[77] [Print Head]	= Normal										
[78] [Print Head]	= Normal										
[79] [Print Head]	= Normal										
[80] [Print Head]	= Normal										
[81] [Print Head]	= Normal										
[82] [Print Head]	= Normal										
[83] [Print Head]	= Normal										
[84] [Print Head]	= Normal										
[85] [Print Head]	= Normal										
[86] [Print Head]	= Normal										
[87] [Print Head]	= Normal										
[88] [Print Head]	= Normal										
[89] [Print Head]	= Normal										
[90] [Print Head]	= Normal										
[91] [Print Head]	= Normal										
[92] [Print Head]	= Normal										
[93] [Print Head]	= Normal										
[94] [Print Head]	= Normal										
[95] [Print Head]	= Normal										
[96] [Print Head]	= Normal										
[97] [Print Head]	= Normal										
[98] [Print Head]	= Normal										
[99] [Print Head]	= Normal										
[100] [Print Head]	= Normal										

User Type List

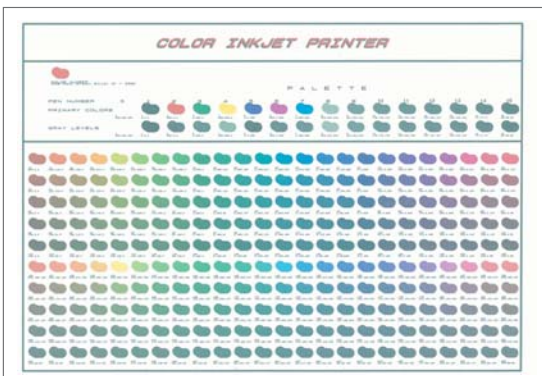
User Type	Type 1	Type 2	Type 3	Type 4	Type 5
Print Mode	Graphics 2	Graphics 2	Graphics 2	Graphics 2	Graphics 2
Print Mode > Effect	Fine&Fog	Fine&Fog	Fine&Fog	Fine&Fog	Fine&Fog
FF > Initial Adjust	250.0 / 250.0mm	250.0 / 250.0mm	250.0 / 250.0mm	250.0 / 250.0mm	250.0 / 250.0mm
FF > Micro Adjust	0.00%	0.00%	0.00%	0.00%	0.00%
Heater (Upper)	Off	Off	Off	Off	Off
Heater (Lower)	Off	Off	Off	Off	Off
Vacuum Fan	High	High	High	High	High
Thickness	170µm	170µm	170µm	170µm	170µm
User Type	Type 6	Type 7	Type 8	Type 9	Type 10
Print Mode	Graphics 2	Graphics 2	Graphics 2	Graphics 2	Graphics 2
Print Mode > Effect	Fine&Fog	Fine&Fog	Fine&Fog	Fine&Fog	Fine&Fog
FF > Initial Adjust	250.0 / 250.0mm	250.0 / 250.0mm	250.0 / 250.0mm	250.0 / 250.0mm	250.0 / 250.0mm
FF > Micro Adjust	0.00%	0.00%	0.00%	0.00%	0.00%
Heater (Upper)	Off	Off	Off	Off	Off
Heater (Lower)	Off	Off	Off	Off	Off
Vacuum Fan	High	High	High	High	High
Thickness	170µm	170µm	170µm	170µm	170µm
User Type	Type 11	Type 12	Type 13	Type 14	Type 15
Print Mode	Graphics 2	Graphics 2	Graphics 2	Graphics 2	Graphics 2
Print Mode > Effect	Fine&Fog	Fine&Fog	Fine&Fog	Fine&Fog	Fine&Fog
FF > Initial Adjust	250.0 / 250.0mm	250.0 / 250.0mm	250.0 / 250.0mm	250.0 / 250.0mm	250.0 / 250.0mm
FF > Micro Adjust	0.00%	0.00%	0.00%	0.00%	0.00%
Heater (Upper)	Off	Off	Off	Off	Off
Heater (Lower)	Off	Off	Off	Off	Off
Vacuum Fan	High	High	High	High	High
Thickness	170µm	170µm	170µm	170µm	170µm

Test Print 4: Palette

Test Print 4

Palette

Palette print is executed for the color demonstration.



Note


When the selected print mode of the user type is Graphics 1 or Graphics 2, Palette menu is not displayed.

***> 1: Print Mode" P. 61

Test Print 5: Adjust Head

Test Print 5 Adjust Head

This menu calibrates the dot placement between two print heads installed on this printer.

Tap  to open the submenu.

Align the heads in the following cases:

- If the image quality does not improve after you have used the "Adjust Print" menu.
- When switching to thin media or a type of media where ink drops do not spread.

After executing this menu, be sure to perform the "Adjust Print" function.

If you don't, the image quality during bidirectional printing may drop.

Submenus

Adjust Head 1

Standard

Adjustment is performed only for the print mode set by the current User Type. You can make the adjustments more quickly than by selecting "Fine Pattern ALL" in "Custom".

When selecting "Standard" here, you need to use the same print mode settings for the RIP (Raster Image Processor) as the print mode settings for the User Type. Use the same settings for the resolution, pass and printing direction in the RIP print mode as in the print mode for the User Type.

Adjust Head 2

Custom

You can also adjust a print mode other than the one used for the current User Type. You can print with an optimal image quality even if the RIP print mode is different from the print mode used for the User Type.


Note

- If print defects (like banding or grainy look) still appear on the print, try an auto calibration again, or go to "Adjust Head1/ Standard" or "Adjust Head2/ Custom" to perform calibration.
- If a roll media starts to cockle during calibration, load the media again.
- "Test Print 5 Adjust Head" requires at least 550 mm printable width. Before printing, make sure that there is sufficient width on the media. If printable width is less than 550 mm, your printer will not perform printing. Printable width on the media can be adjusted by changing CR origin and side margin (left and right side margin) settings.

 ["Setup 5: Media Width" P. 77](#), ["Setup 8: Origin" P. 80](#), ["Setup 3: Side Margin" P. 76](#)

When “Adjust Head 2 Custom” is selected

Adjust Head 2
Custom



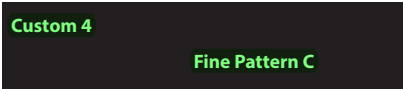
You can select the adjustment method. Tap  to open the submenu.

When selecting “Fine Pattern X (A to C)”, select the option that corresponds to the print mode used for printing.

If the resolution, pass and the printing direction of the RIP print mode differ from the print mode for the User Type, select the fine pattern that is suitable for the RIP.

 ["Adjustment patterns for each print mode" P. 64](#)

Submenus

	Adjusts all the patterns.
	For printing an adjust pattern selected from A to C.
	

Standard or Custom Adjustment Methods

1. Print the Head adjustment pattern and look for a place in the pattern that has least white lines or overlapping images.
 - If you selected “Adjust Head 2: Custom”, select “ALL” or “A” to “C”.
 - The number printed under the pattern without alignment errors is the adjustment value.
2. Enter the adjustment value.

Note

- Warm up the heater before printing the Adjustment pattern.
“Skip Heater Warm Up? No” is displayed on the front panel.
- You can start printing while the printer is warming up.





 ["Starting printing during warming up" P. 44](#)

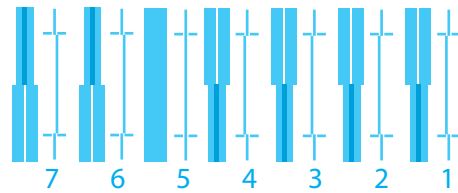
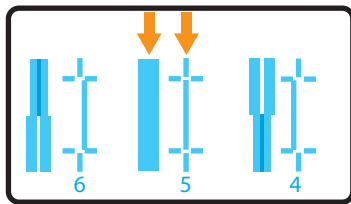
CAUTION



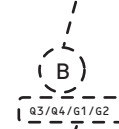
While “Warming Up” is displayed, do not touch Media guide.
You could burn yourself.

Head adjustment pattern

- Press the  (Enter) key to carry out printing. For the Head adjustment pattern, the same patterns will be printed on both sides and center of the media.
- Check the print results and select the number that looks most aligned between 1 and 7.
- Pattern names such as "Pattern B: 4" are shown on the display. Use the  /  key to enter the number of the best-adjusted pattern, and press the  (Enter) key.
- In the case of the picture below, enter "5", so that the display reads "Pattern B: 5".
- If you selected "Head Adj. 2: Custom" and "Fine Pattern ALL", enter the adjustment value for **A to C**.



Pattern Name



Current Print Mode

(If you carried out the adjustment with Custom settings, the head height and the printing information will also be printed.)

Menu 3 : Cleaning

Menu 3
Cleaning

Select the cleaning type.

Setting values

Cleaning Type1

Short

Consumes less ink than Normal cleaning.

Cleaning Type2

Normal

Conduct nozzle check before and after printing, and use when nozzle missing is found.

Cleaning Type3

Long

Consumes more ink than Normal cleaning. When nozzle missing still occurs after Normal cleaning, conduct Long cleaning.

Cleaning Type4

Little Charge

Though much better cleaning results can be expected than Long cleaning, it consumes a large amount of ink.


Cleaning Type5

Initial Charge

Gives a rather higher cleaning effect than "LittleCharge", but also consumes rather more ink.

Menu 4 : Menu Option

You can choose whether to display the menus in “Menu 1: Setup”.

Choose whether you wish to display a menu by tapping  (Enter).

[*]= the item will be displayed

[]= the item will not be displayed

Menu Option 1: [*]
User Type

Displays the “User Type menu”.
The initial value is [*].

Menu Option 2: [*]
Spitting

Displays the “Spitting menu”.
The initial value is [*].


Menu Option 3: [*]
Side Margin

Displays the “Side Margin menu”.
The initial value is [*].


⋮

⋮

Menu Option 32:
ALL On

If you tap  (Enter), all the items in Menu Option will be marked with a [*] (displayed).

Menu Option 33:
ALL Off

If you tap  (Enter), all the items in Menu Option will be marked with a [] (not displayed).

Menu 5 : System Info.

Menu 5 System Info.

Display the system information on your printer.

Version
Ver. M / C 0.00 / 0.00

Displays the versions of the firmware of the main side (M) and controller side (C).

Printer Model
* * * * * * * * *

Displays the model name of your printer.

Serial Number
* * * * * * * * *

Displays your printer's serial number.

Ink Type
* * * *

Displays the ink type being used on your printer.

Color
* Color

Displays the ink configuration on the printer.

Total Print Area
42949672m²

Displays total printed area in the printer since the purchase.
This information may be used for reference for maintenance.

Menu 6 : Sleep Mode

Menu 6 Sleep Mode

Start Sleep Mode and set the head cleaning interval during Sleep Mode.

Submenu

Sleep Mode 1
Cleaning Setting

 [Sleep Mode 1: Cleaning Setting](#)

Sleep Mode 2
Start

 [Sleep Mode 2: Start](#)

Sleep Mode 1: Cleaning Setting

Sleep Mode 1 Cleaning Setting


Set the timer to perform the head cleaning while in sleep mode.

Setting values

Cleaning Type: **Short**

<Short> / Normal / Long
<> indicates the initial value.



Cleaning Timer:
(1 - 24) **6 h**

Tap  (Enter) to confirm the setting and the display goes to the Cleaning Timer setting.
1 / 2 / 3 / 4 / 5 / <6> / 9 / 12 / 18 / 24h
<> indicates the initial value.

Sleep Mode 2: Start




When you are not using the printer, always leave the power on and put the printer into the sleep mode while not in use. If you do not put the printer into the sleep mode, the ink inside the printer could settle out and/or coagulate, causing poor image quality or printer failure.

Important!

- **When you may not be able to run a weekly cleaning on the printer that is in sleep mode:**
Perform "Longstore" and then power off the printer. It allows you to store the printer for up to one month (30 days).
 ["Long-term storage" P. 150](#)
- **If the printer is going to be in Sleep mode for more than 1 week, follow the steps below to perform daily maintenance once a week.**
 - **Invert the ink bags back and forth to agitate ink.**
 ["Agitating ink" P. 115](#)
 - **Wake the printer from sleep mode.**
 - **Perform a nozzle check to see if there are no nozzle missing.**

Sleep Mode 2
Start

Put the printer into sleep mode.

- Tap .
- "Sleep Mode Start -> Enter" is displayed.
Tap  (Enter).
- "In Sleep Mode Wake up -> Enter" is displayed.
The sleep mode will start.
- To exit the sleep mode, tap  (Enter).

Important!

During Sleep Mode, even if the set amount of time has passed, print-head cleaning is not performed under the following circumstances.

- **When the front cover is open.**
- **When the maintenance cover is open.**
- **The pressure rollers is released.**
- **The waste ink tank is full.**
- **The high-capacity ink pack adapter has been removed.**
- **The S/C card has been removed.**
- **The inserted S/C card is not the genuine S/C card, etc.**

**If one of the above conditions occurs during Head cleaning, cleaning is stopped.
When the printer returns to a normal state, Head cleaning is restarted.**

Menu 7 : Display

Display 1: Language

Display 1
Language

Choose the language of the front panel from the following selection.

Setting values

Language:

English

Default setting.

Language:

Dutch

Language:

Spanish

Language:

French

Language:

Italian

Language:

Portuguese

Language:

German

Language:

Japanese

Display 2: Temperature

Display 2
Temperature

Choose the unit of the temperature displayed on the front panel.

Setting values

Temperature:

Celsius [°C]

Displays the temperature in Celsius.
This is the initially set value.

Temperature:

Fahrenheit [°F]

Displays the temperature in Fahrenheit.

Display 3: Length

Display 3
Length

Choose the unit of the length displayed on the front panel.

Setting values

Length: mm

Displays the length in millimeters (mm).
This is the initially set value.

Length: inch

Displays the length in inches (inch).

Menu 8 : Job Status

Menu 8
Job Status

Various information of previous print will be displayed.

Job Status
Status: Completed

Displays if the print is completed.
• When the print is completed: [Completed]
• When the print is canceled: [Canceled]

Job Status
ToDoLength: XXX.X m

The total length of print data (media feeding direction) will be displayed.

Job Status
Done: XXX.X m

The printed length will be displayed.

Job Status
Remain: XXX.X m

The remaining length of print data will be displayed.



Note

- The values displayed in this function are just standard values, not guarantee the accuracy.
- If the print data includes no length data, all information will be displayed as "0".
- This function is to check the information of print data with the print operation is completed. For the details on data while printing, please refer to the ["Menu 7: Job Status" P. 50](#).






Menu 9 : Roll Length Manage

Menu 9 Roll Length Manage



Before replacing with another roll media, you can print the remaining roll length information on the roll media.

This information can be printed with a code that your printer can read. The next time when the roll media is loaded, your printer will read the code and will automatically specify the Roll Length settings.

Submenu

Roll Length Manage1 Print	 "Roll Length Manage1: Print" P. 106
Roll Length Manage2 Simple Print	 "Roll Length Manage2: Simple Print" P. 106
Roll Length Manage3 Scan	 "Roll Length Manage3: Scan" P. 107
Roll Length Manage4 Roll Length	 "Roll Length Manage4: Roll Length" P. 108
Roll Length Manage5 Auto Scan	 "Roll Length Manage5: Auto Scan" P. 108





Note

- "Roll Length Manage 1: Print" or "Roll Length Manage 2: Simple Print" requires at least 400 mm printable width. Before printing, make sure that there is sufficient width on the media.
If printable width is less than 400 mm, your printer will not perform printing. Printable width on the media can be adjusted by changing CR origin and side margin (left and right side margin) settings.
 ["Setup 5: Media Width" P. 77](#), ["Setup 8: Origin" P. 80](#), ["Setup 3: Side Margin" P. 76](#)
- The Roll Length Manage menu will not be displayed if "Media Initial" is set to "Off".
 ["Setup 4: Media Initial" P. 77](#)
- The Roll Length Manage menu will not be displayed if the media is not loaded.

Roll Length Manage1: Print

Print the remaining length management information with text and code on the roll media.

Roll Length Manage1
Print

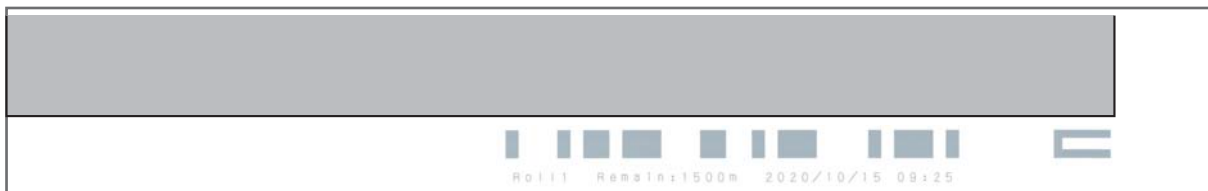
- Tap .
- "Do you want to cut?" is displayed.
Use  or  to choose "Yes" or "No".
- Tap  (Enter).

Note

- The printer is unable to print this information if "Roll Length" is set to "Off".

 ["Setup 17: Roll Length" P. 84](#)





- This menu will print the following information:
 - Type of roll media
 - Remaining roll length
 - Date printed
 - Remaining length management code



Roll Length Manage2: Simple Print

Print the remaining length management information with text only on the roll media.

Roll Length Manage2
Simple Print

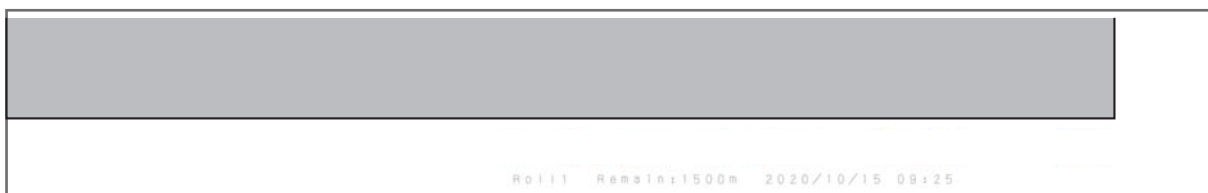
- Tap .
- "Do you want to cut?" is displayed.
Use  or  to choose "Yes" or "No".
- Tap  (Enter).

Note

- The printer is unable to print this information if "Roll Length" is set to "Off".

 ["Setup 17: Roll Length" P. 84](#)

- This menu will print the following information:
 - Type of roll media
 - Remaining roll length
 - Date printed



Roll Length Manage3: Scan

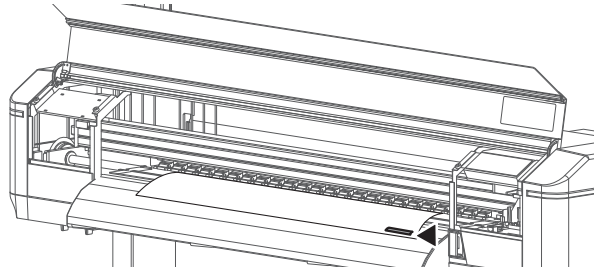
Your printer can scan the remaining length management code that was printed on a roll media with "[Roll Length Manage1: Print](#)".

- [1] Load a roll media that the remaining length management code has been printed on it.

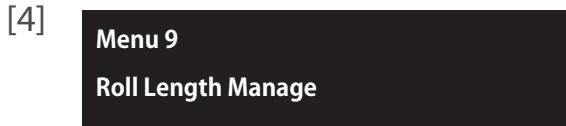
👉 "[Load a roll media into the printer](#)" P. 22


👉 "[Roll Length Manage1: Print](#)" P. 106

- [2] Check that the code printed on the media has passed through the pressure rollers.

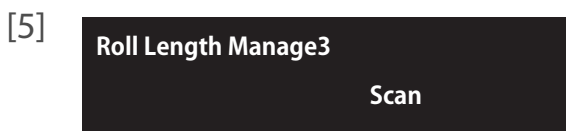



Tap  (Home).




Tap  until the menu on the left appears.

• Tap .



Tap  until the menu on the left appears.

• Tap  (Enter).

• Tapping the  (Cancel) key while scanning will cancel the scan.

- [6] When your printer scanned successfully, the following settings will be specified in Roll Length automatically:

- Type of roll media
- Remaining roll length

👉 "[Setup 17: Roll Length](#)" P. 84

Note

- The printer may fail to scan if a remaining length management code has dirt or fold marks on it.
- Your printer is unable to scan if "Output Mode" is set to "Take Up".
👉 "[Setup 6: Output Mode](#)" P. 77
- In case the printer failed to scan the code, manually specify the Roll Length settings based on the remaining length management information printed in text on the media.

👉 "[Setup 17: Roll Length](#)" P. 84

Roll Length Manage4: Roll Length

Roll Length Manage4
Roll Length

Go to the "Roll Length" settings.


 ["Setup 17: Roll Length" P. 84](#)

Roll Length Manage5: Auto Scan

Roll Length Manage5
Auto Scan

The ON setting will automatically scan the remaining length management code when

- the printer is powered on.
- you replace a roll media.


Tapping the  (Cancel) key while scanning will cancel the scan.

When your printer scanned successfully, the following settings will be specified in Roll Length automatically:

- Type of roll media
- Remaining roll length

 ["Setup 17: Roll Length" P. 84](#)

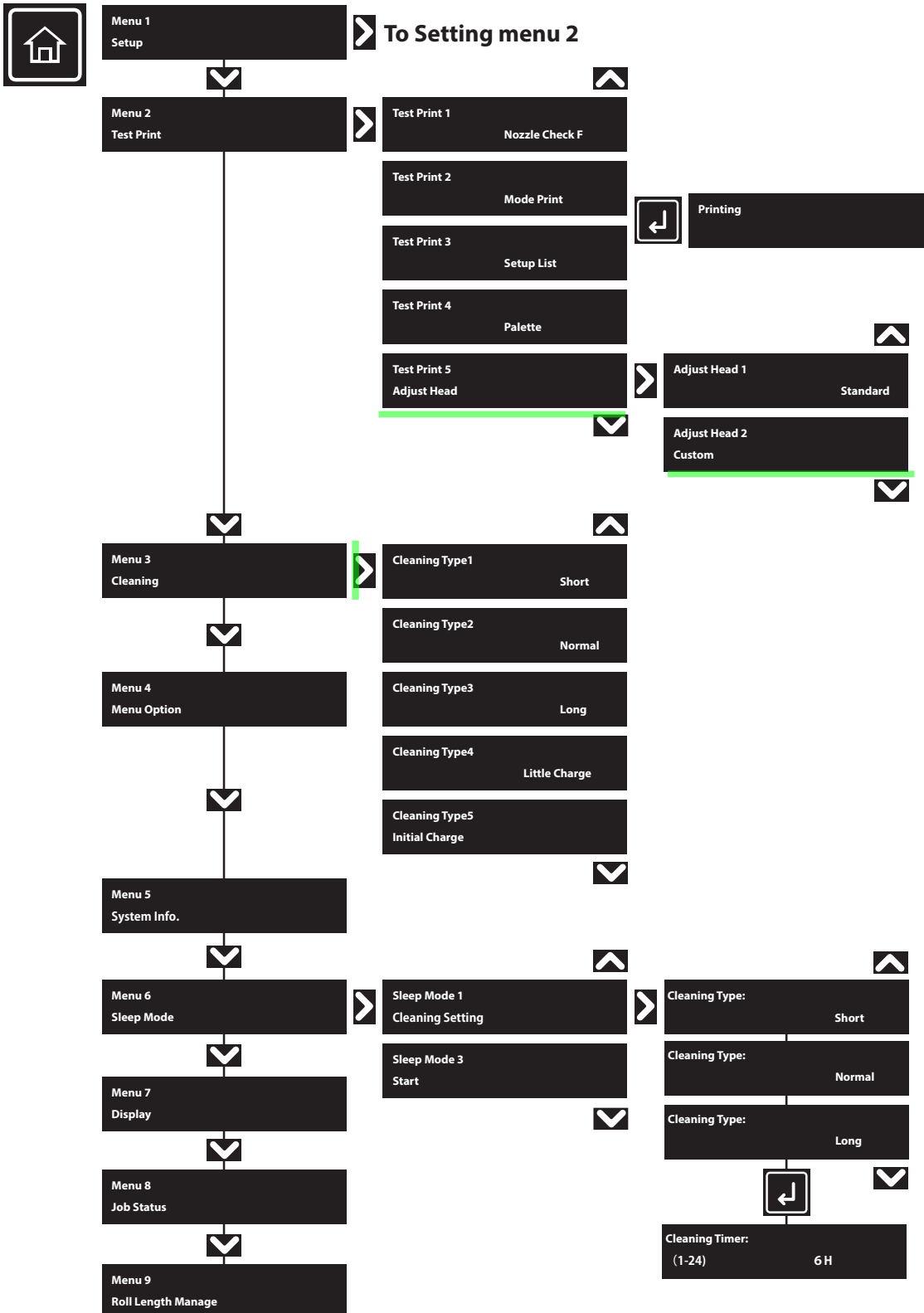
Note

- The printer may fail to scan if a remaining length management code has dirt or fold marks on it.
- In case your printer is unable to read the code even if this setting is ON, check that the following settings are set to "OFF" or "Auto cut".
 ["Setup 4: Media Initial" P. 77](#), ["Setup 6: Output Mode" P. 77](#)
- In case the printer failed to scan the code, manually specify the Roll Length settings based on the remaining length management information printed in text on the media.

 ["Setup 17: Roll Length" P. 84](#)

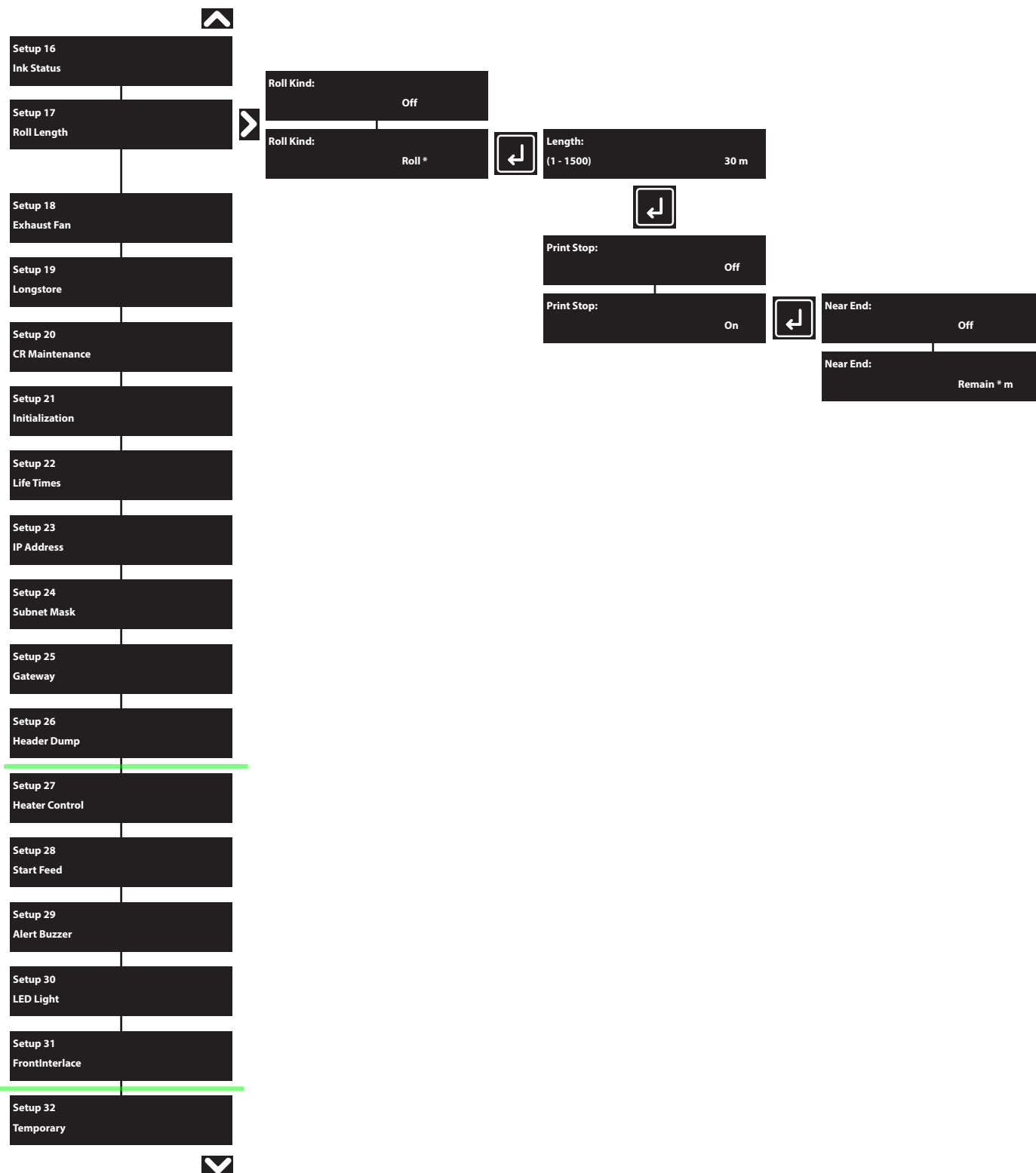
Menu chart

Setting menu 1

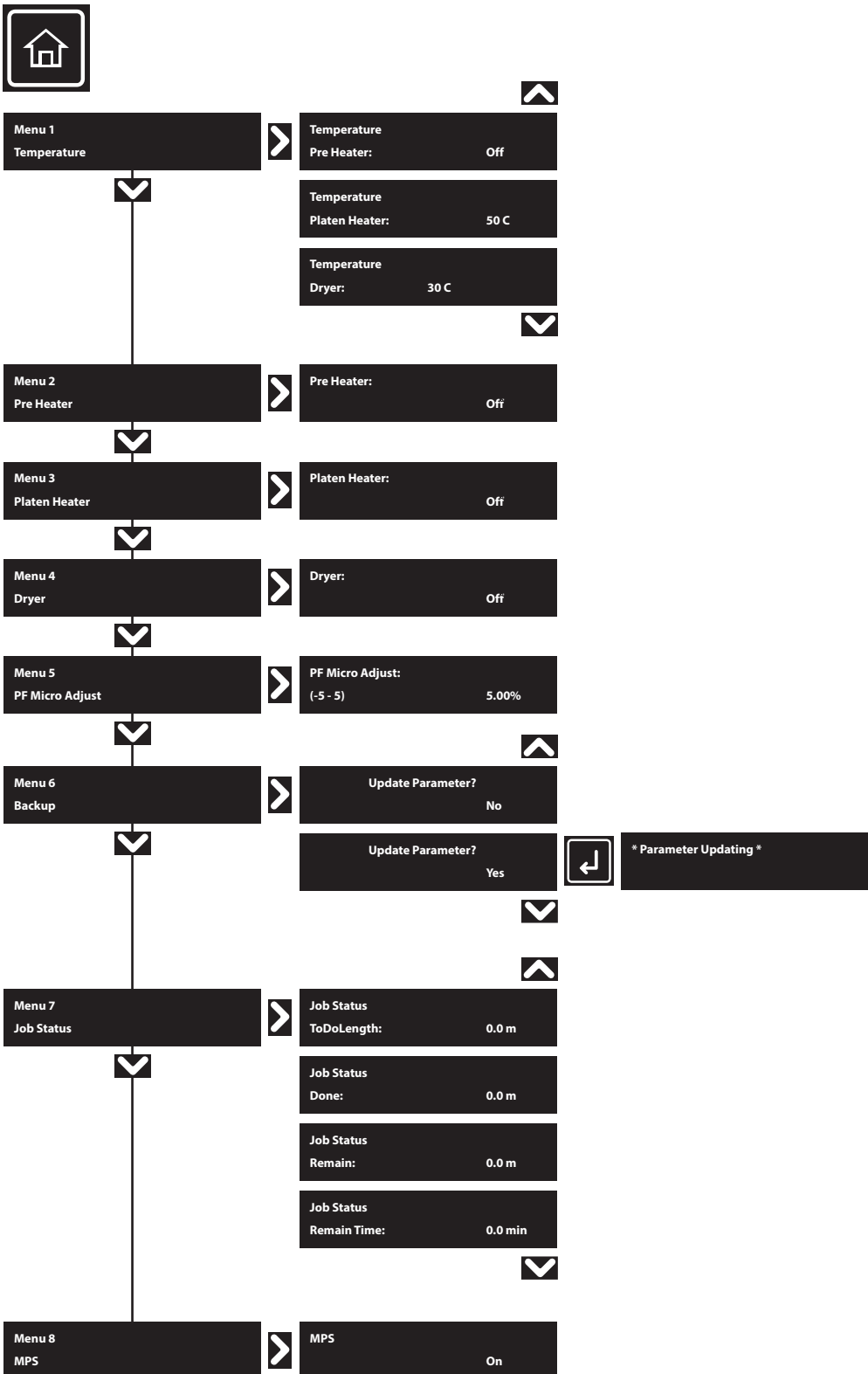


Setting menu 3

From Setting menu 2



Menu during printing



Chapter 3 Maintenance

Maintenance.....	114
Agitating ink.....	115
Agitating ink.....	115
Checking ink and replacing ink bag.....	117
Checking ink level.....	117
When it becomes time to replace ink bag.....	118
Replacing ink bag.....	118
Emptying waste ink tank.....	121
Emptying waste ink tank.....	121
Cleaning.....	123
Head cleaning.....	123
Cleaning of cleaning wiper.....	126
Cleaning around the capping unit.....	129
Cleaning around the print head.....	131
Cleaning the color sensor.....	133
Inside cleaning.....	135
Replacing consumable parts.....	136
Replacing absorption material for the flushing box.....	136
Replacing Cutter.....	138
Replacing the cleaning wiper.....	140
Replacing Adapter's plug.....	142
Moving or transporting the printer.....	148
Moving the printer.....	148
Transporting the printer.....	149
Long-term storage.....	150
Performing initial charging after head cleaning.....	154

Maintenance

To maintain the performance of this product, please conduct maintenance by yourself.
The types of maintenance are shown next.

Before and after daily operation	"Nozzle check and cleaning" P. 31
Based on your usage condition	"Agitating ink" P. 115
	"Head cleaning" P. 123
	"Cleaning of cleaning wiper" P. 126
	"Cleaning around the print head" P. 131
	"Cleaning the color sensor" P. 133
	"Replacing ink bag" P. 118
	"Emptying waste ink tank" P. 121
	"Replacing absorption material for the flushing box" P. 136
	"Replacing Cutter" P. 138
	"Replacing Adapter's plug" P. 142
Weekly	"Cleaning of cleaning wiper" P. 126
	"Cleaning around the capping unit" P. 129
Monthly	"Inside cleaning" P. 135
Every six months	"Replacing the cleaning wiper" P. 140
When not used for a week or more	"Head cleaning" P. 123 (Once a week)
When not used for a long period	"Long-term storage" P. 150

Important!

Since a service technician has to handle following cases, please contact your local MUTOH dealer.

- Error requiring restart is happening repeatedly.
- The message to notify the life of print head, pump and various motors is displayed.

 ["Messages and Error Messages" P. 158](#)

Agitating ink

Agitating ink

Agitate the ink at the following times to prevent it from settling out and/or coagulating:

- Before installing new ink
- When any of the messages below appears



Shake W Cartridge

Agitate the White (Wh) ink.

- Displays every 12 hours.

Important!

- **Agitate the ink periodically. Otherwise, the ink settles or coagulates and may cause poor print quality or a malfunction.**
- **You should agitate the ink when the message appears. Otherwise, for 12 hours after the message appears, you will repeatedly have to wait a certain time before you can print. When 12 hours have passed, the printer will not print any data. In either case, you can restore the printer to normal condition by agitating the ink.**

CAUTION



Wear protective equipment (gloves, goggles or eye protection, protective mask, protective clothing) when handling ink.

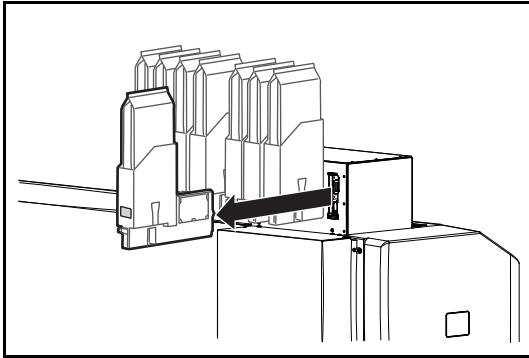
Be cautious that ink does not get into your eye or make a contact with your skin.

When ink gets into your eye or make a contact with your skin, wash with water immediately. If left as it is, it may cause red eye or light inflammation. If it is necessary, please see your doctor immediately.



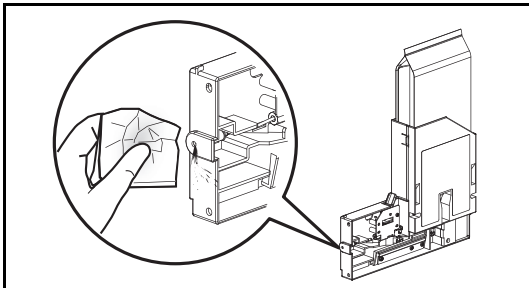
Steps

[1]



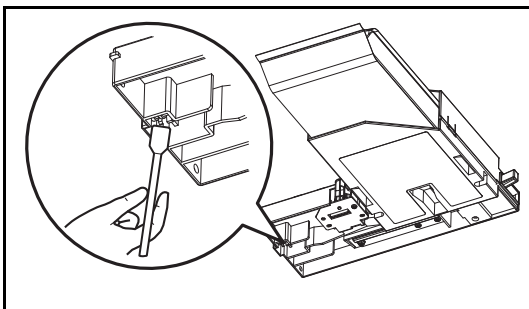
Remove high-capacity ink pack adapters from the ink slots.

[2]



Using the paper towel provided with the printer to wipe off the ink attached to the insertion point for high-capacity ink pack adapters.

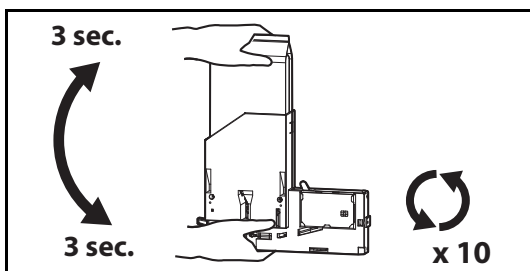
[3]



Tilt high-capacity ink pack adapters, use cleaning stick provided with the printer, and absorb the ink collected around the tube connectors.

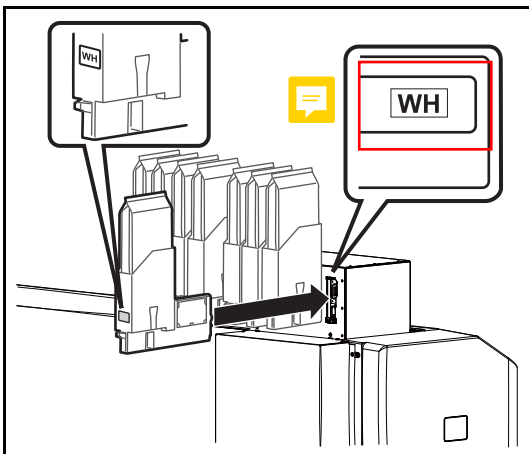
- Tilt high-capacity ink pack adapter so that the caution label is facing down.
- Tilt high-capacity ink pack adapter so that the insertion point is lowered a little.

[4]



- To prevent the ink bag and the high-capacity ink pack adapter from separating, hold one hand against the top of the ink bag. Rotate the plug of the ink bag vertically and hold for 3 seconds.
- Then, invert the ink bag with the adapter and hold for 3 seconds.
- Repeat that 10 times.

[5]



Re-insert the high-capacity ink pack adapters into Ink slots.

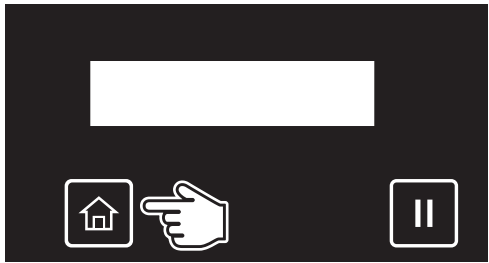






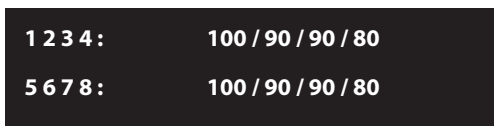

- Make sure to match the ink pack color with the label of this printer.
- Insert all the way to the end.

Important!

Make sure you insert the high-capacity ink pack adapters into the original slots. Even when you have the same color ink packs, do not switch and insert them into different slots.

Checking ink and replacing ink bag

Checking ink level

- [1]  Tap  (Home).
- [2]  Tap .
- [3]  Tap  until the menu on the left appears.
• Tap .
- [4]  The ink level is displayed from 0% to 100%.
-  **Note**
- To identify the ink slots corresponding to the numbers shown here, see ["Main components of your printer" P. 9](#).



1	K (Black)	2	C (Cyan)	3	M (Magenta)	4	Y (Yellow)
5	Lc (Light Cyan)	6	Lm (Light Magenta)	7	Wh (White)	8	Wh (White)

 **Note**

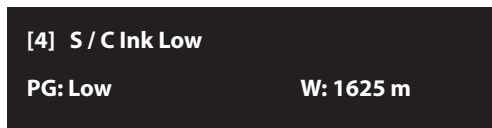
If it is blinking at 10%, smartchip recovery is being performed on the corresponding S/C card.

 ["Smartchip recovery" P. 162](#)

When it becomes time to replace ink bag

When the ink level becomes low, the error LED of the front panel flashes and a buzzer sounds.

[1]



Tap  (Enter).

- The buzzer stops.
- In the figure to the left, the slot 4 ink bag is nearing replacement.

[2] Prepare the replacement ink bag.

Replacing ink bag

When an ink bag runs out of ink, the error message [Ink End] or [S/C Ink End] appears on the panel with blinking error LED and beep sound. Replace an ink bag immediately. The printer will not resume printing until the ink bag is replaced.

CAUTION



Wear protective equipment (gloves, goggles or eye protection, protective mask, protective clothing) when handling ink.

Be cautious that ink does not get into your eye or make a contact with your skin.

When ink gets into your eye or make a contact with your skin, wash with water immediately. If left as it is, it may cause red eye or light inflammation. If it is necessary, please see your doctor immediately.

Important!



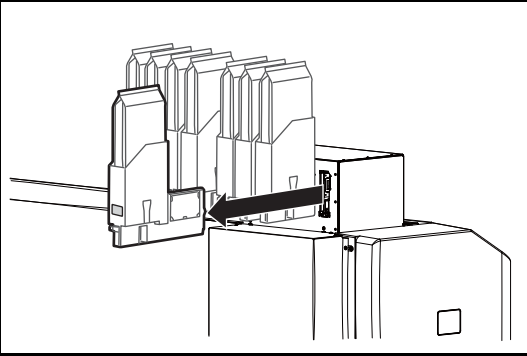
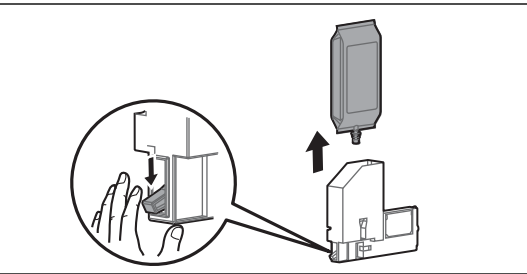

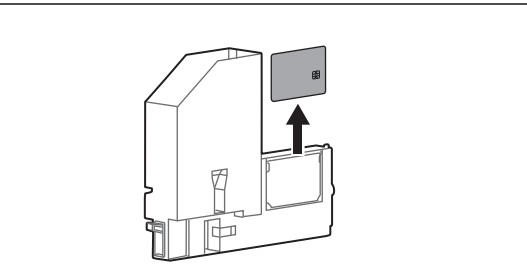
When replacing ink bags,

- make sure to remove the high-capacity ink pack adapter from the ink slot and then replace with a new ink bag.
- also replace the S/C card with a new one supplied with an ink bag. Otherwise ink level in an ink bag will not be detected correctly.

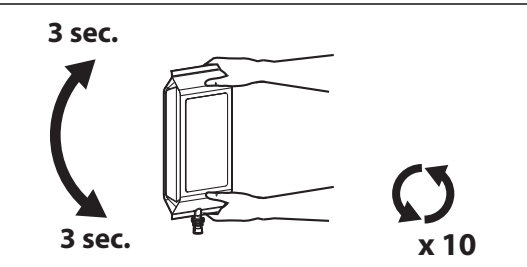
If ink bag is moved from cold to warm place, leave it in the room temperature at least three hours.

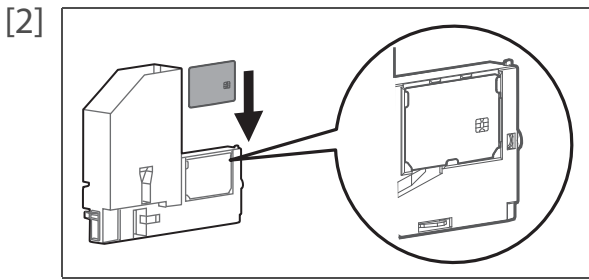
If you do not have any replacement ink bag, do not remove the empty ink bag from the printer. This may cause the nozzle clogs.

1. Removing the high-capacity ink pack adapter

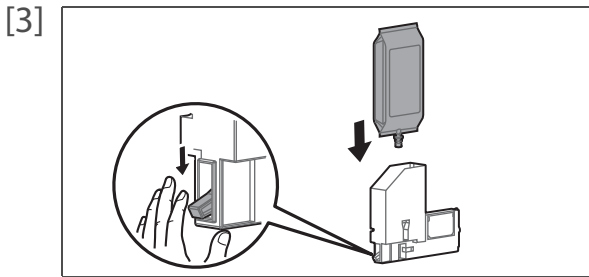
- [1]  Tap  (Enter).
- The buzzer stops.
 - In the figure to the left, the slot 8 ink bag must be replaced.
- [2]  Wear the plastic gloves, and then remove high-capacity ink pack adapters from the ink slots.
- [3]  Lower the lock lever on the high-capacity ink pack adapter and detach the empty ink bag.
-  **Note**
Place the used ink bag in a plastic bag or the like and dispose of it in accordance with local ordinances and municipal instructions.
- [4]  Remove the S/C card from the high-capacity ink pack adapter.

2. Attaching ink bag

- [1]  Prepare the new ink bag, and agitate it as instructed below.
- Turn the ink plug upward and wait for three seconds.
 - Next, turn the ink plug downward and wait for three seconds.
 - Repeat that 10 times.

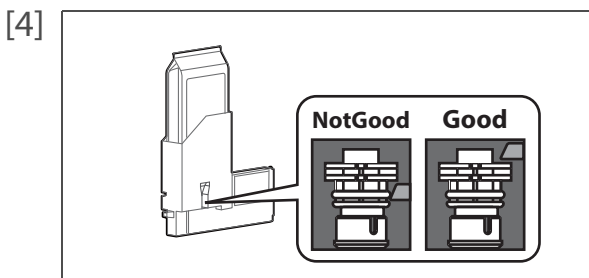


Slide the S/C card into the tabs of the adapter.

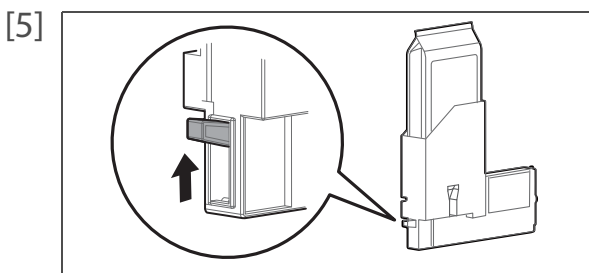


While lowering the lock lever of the high-capacity ink pack adapter, insert an ink bag.

- Make sure to fully insert the ink bag into the high-capacity ink pack adapter.



Confirm ink bag is fully seated by checking the lock mechanism is at the top of the ink delivery neck through the observation window, see proper placement in illustration left.



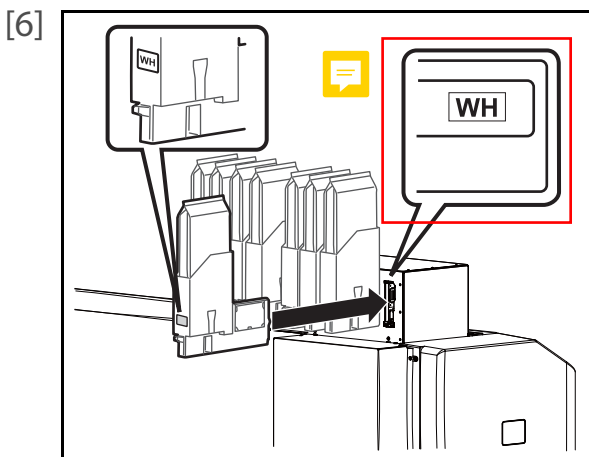
Make sure that the lock lever of the high-capacity ink pack adapter is back to its original position.

Important!

If Lock lever does not return to its original position and is left that way, it may cause ink leakage.

Note

After inserting an Ink bag to high-capacity ink pack adapter, if Lock lever does not return to its original position, push up the lever with your finger. If it still does not return, insert the Ink bag again.



Re-insert the high-capacity ink pack adapters into Ink slots.

- Make sure to match the ink color with the label of this printer.
- Insert all the way to the end.

Important!

Make sure you insert the high-capacity ink pack adapters into the original slots. Even when you have the same color ink packs, do not switch and insert them into different slots.

Emptying waste ink tank

Emptying waste ink tank

In the following cases, drain waste ink in the waste ink tank into a container to empty the tank.

- When the waste ink tank is more than half full.
- When "Full WasteInkTank" is displayed on the front panel.

Display messages

Full Waste Ink Tank

The waste ink tank is full. Empty the tank immediately.

- The printer will stop operation until you empty the waste ink tank.

1. Drain waste ink into a container

⚠ WARNING



Waste ink collected from this product is classified as industrial waste. Dispose of waste ink according to the local waste disposal regulations.

⚠ CAUTION



Wear protective equipment (gloves, goggles or eye protection, protective mask, protective clothing) when handling ink.

Be cautious that ink does not get into your eye or make a contact with your skin.

When ink gets into your eye or make a contact with your skin, wash with water immediately. If left as it is, it may cause red eye or light inflammation. If it is necessary, please see your doctor immediately.



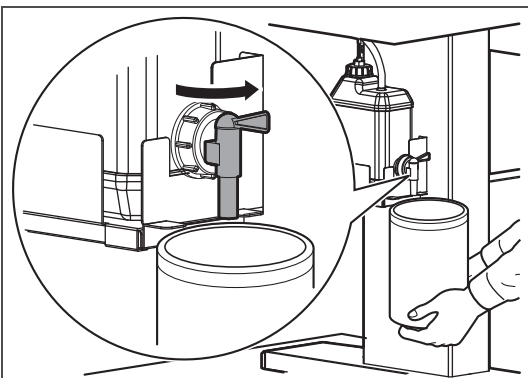
- [1] Prepare a container to collect waste ink.

📢 Important!

The capacity of the waste ink tank is 2,000 ml. Make sure to prepare a container with at least 2,000 ml capacity.

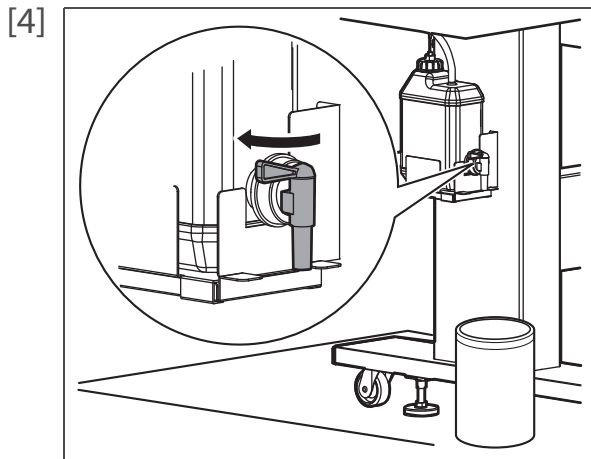
- [2] Cover the floor just under the waste ink tank using a paper that you do not use.

- [3] Open the waste ink valve and drain waste ink into the container.



 **Important!**

To avoid ink splash, move the container closer to the waste ink valve while draining waste ink.



Once you empty the tank, close the waste ink valve securely.

- Wipe the opening of the valve with a cloth.

[5] Dispose of waste ink according to the local waste disposal regulations.



Cleaning

To maintain your printer in the best condition, cleaning must be performed as instructed.

Head cleaning

If you find missing or thin lines on your print or nozzle check print, perform head cleaning.

Following cleaning modes are available:

Short cleaning	Consumes less ink than Normal cleaning.
Normal cleaning	If nozzle missing is found on the nozzle check print, perform Normal cleaning.
Long cleaning	If nozzle missing still persists after Normal cleaning, perform Long cleaning. It consumes more ink than Normal cleaning.
Little Charge	Little Charge gives higher cleaning than Long cleaning, but consumes large amount of ink. To access to this menu, go to "Menu 3 Cleaning" > "Select Print Head" > "Cleaning Type".  "Menu 3: Cleaning" P. 98
Initial Charge	Initial Charge offers more powerful cleaning than Little Charge, but consumes large amount of ink. To access to this menu, go to "Menu 3 Cleaning" > "Select Print Head" > "Cleaning Type".  "Menu 3: Cleaning" P. 98

Important!

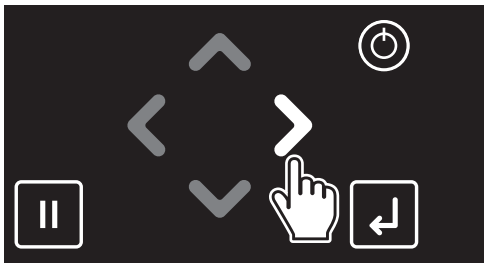
When you perform "Little Charge" or "Initial Charge";

- **Do not power off the printer.**
- **Do not disconnect the power cords.**
- **Do not open the front cover and maintenance cover during cleaning.**
- **Do not release the pressure rollers.**
- **Do not remove high-capacity ink pack adapters from the printer.**
- **Be sure that remaining ink in the ink bag is enough to perform cleaning.**

If cleaning is interrupted, it may consume more amount of ink.

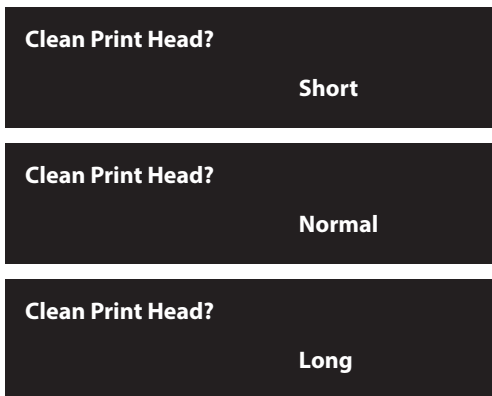
1. Performing Head cleaning



[1]



Tap .

[2]



Use  or  to choose the cleaning mode.

Tap  (Enter).

- The printer will start cleaning.

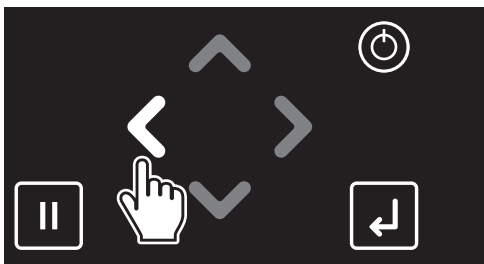
[3] Run a nozzle check.

2. Performing Nozzle check

[1] Load a roll media to print the nozzle check pattern.

 ["Loading a roll media" P. 22](#)

[2]



Tap .

[3]

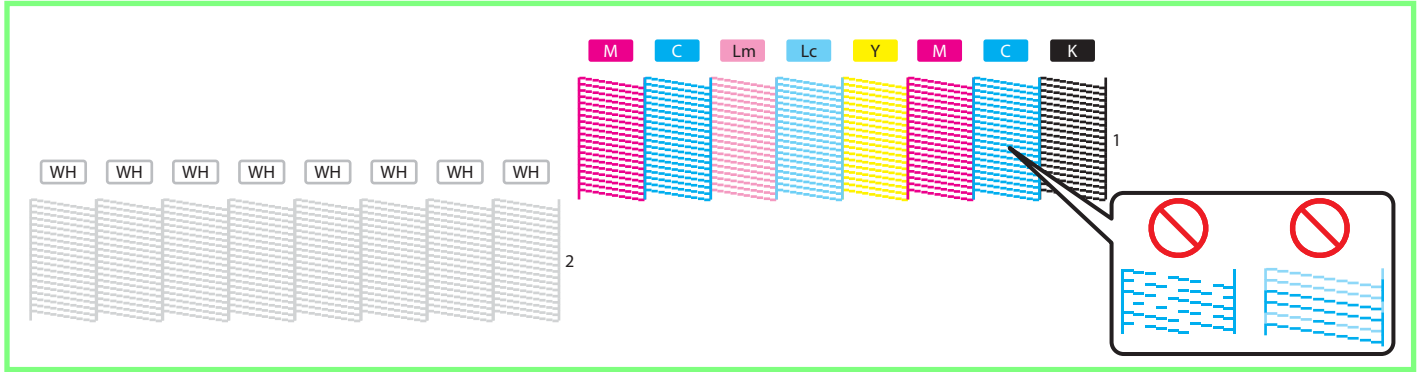


Tap  (Enter).


- The printer will print the nozzle check pattern.

[4] Check the print result.

- If you find missing or thin lines on the print, go to **"Performing Head cleaning" P. 124**.
- If all lines are clearly printed, you can start printing.



 Note

- If nozzle missing persists after repeating normal cleaning several times, perform Long cleaning.
- If several Long cleaning does not help to recover nozzles, perform **"Cleaning of cleaning wiper" P. 126** or **"Cleaning around the print head" P. 131**.
- If nozzle missing still persists, perform Little Charge from "Menu 3 Cleaning" > "Select Print Head" > "Cleaning Type".  **"Menu3: Cleaning" P. 98**

Cleaning of cleaning wiper

Cleaning period:

- Weekly
- When print blurring and dot missing remain after head cleaning is done.

Preparation:

- Cleaning stick

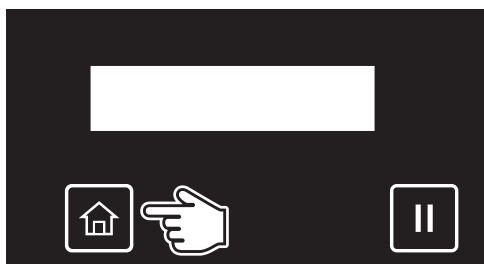
Important!

During cleaning, please note the followings.

- If it is hard to remove the stain, perform “Short” Head cleaning, and then clean again.
- Use a dry cleaning stick. A damp stick can cause damage to the print head.
- Do not touch the tip of a cleaning stick with fingers. Skin oil will damage the print head.
- Do not reuse a cleaning stick. Dust on the stick will damage the print head.
- This cleaning takes about 5 minutes. If it takes longer, the stick will get dry causing damage to the print head.

1. Putting the printer into the CR maintenance mode

[1]



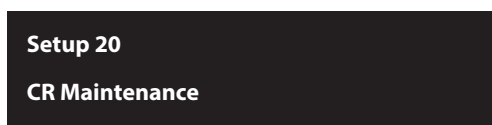
Tap  (Home).



[2]



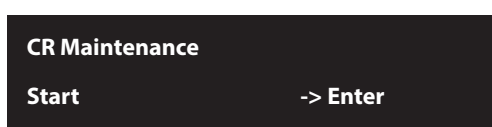
Tap .


[3]



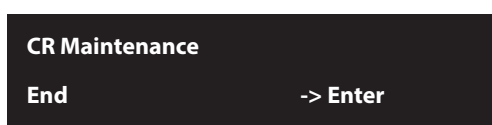
Tap  until the menu on the left appears.
• Tap .

[4]




Tap  (Enter).
• The carriage will move to the left side of the printer.
• The cleaning wiper will move upward.

[5]

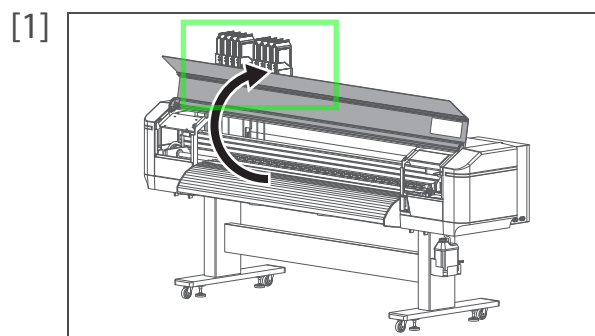


The message on the left will appear.
• The printer will start cleaning.

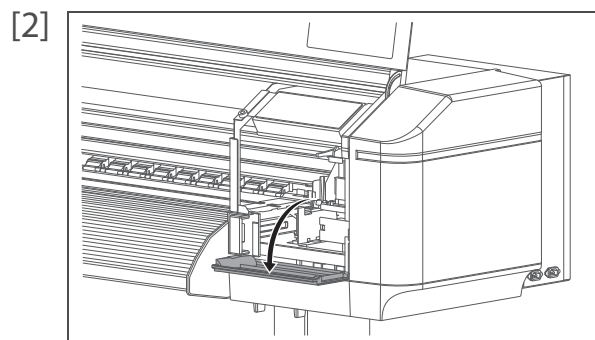
Note

If you tap the  key while “CR Maintenance End -> Enter” is displayed, the pump is activated, sucking up the ink in the cap.

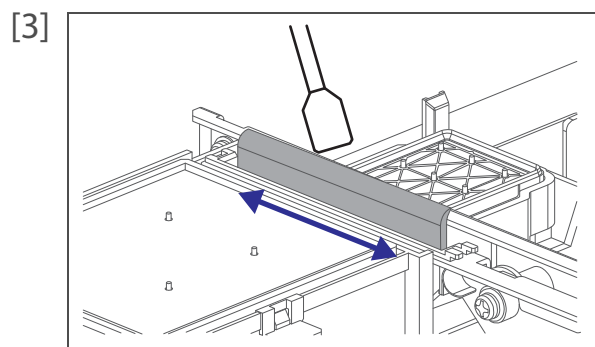
2. Cleaning the cleaning wiper



Open the front cover.



Open the maintenance cover on the right side.

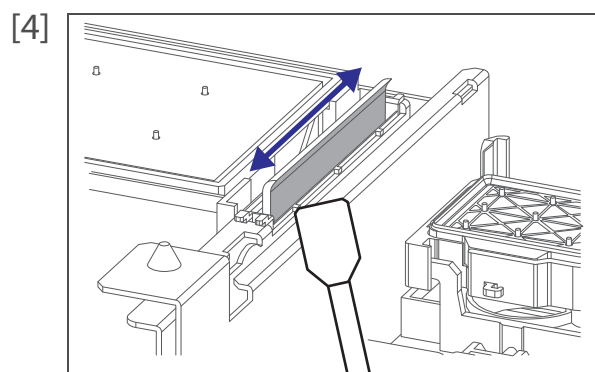


Wipe the cleaning wiper with a cleaning stick.

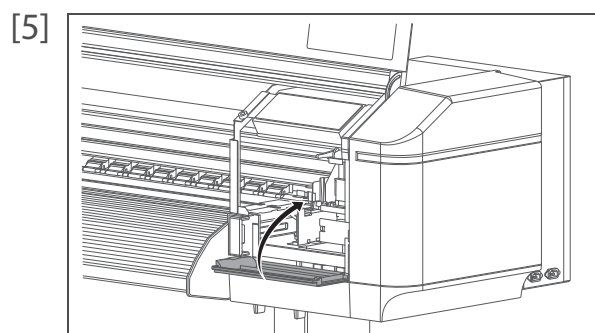
- Wipe the left side of the wiper back and forth.

 **Important!**

If it is hard to remove the stain, perform "Short" Head cleaning, and then clean again.

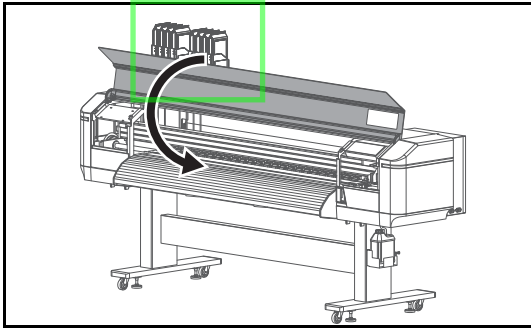


Wipe the right side of the wiper back and forth.



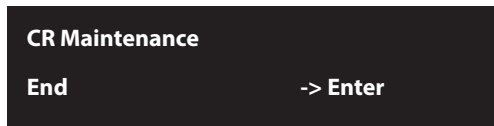
Close the maintenance cover.

[6]



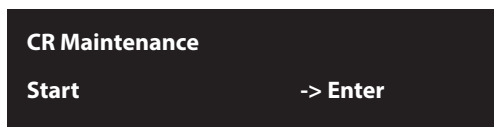
Close the front cover.


[7]



Tap  (Enter).

[8]



Tap  (Home) to end the cleaning process.

 Note

Used cleaning stick should be put in a plastic bag, etc, and dispose of it in compliance with local ordinance and instructions of local authorities.

Cleaning around the capping unit

Cleaning period:

- Weekly

Preparation:

- Cleaning stick



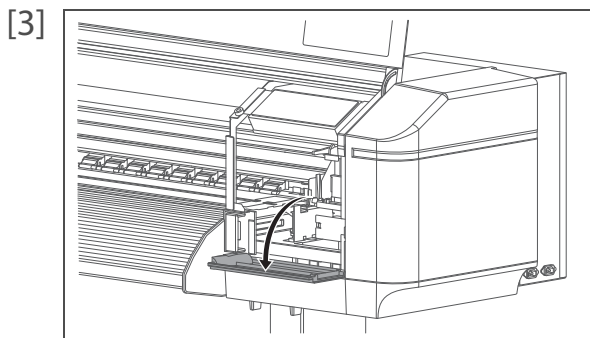
During cleaning, please note the followings.

- Use a dry cleaning stick. A damp stick can cause damage to the print head.
- Do not touch the tip of a cleaning stick with fingers. Skin oil will damage the print head.
- Do not reuse a cleaning stick. Dust on the stick will damage the print head.
- This cleaning takes about 5 minutes. If it takes longer, the stick will get dry causing damage to the print head.

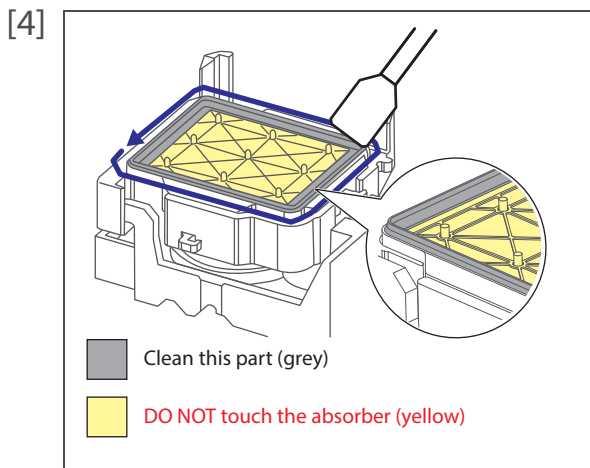
[1] Put the printer into the CR maintenance mode.

["Putting the printer into the CR maintenance mode" P. 126](#)

[2] Open the front cover.



Open the maintenance cover on the right side.

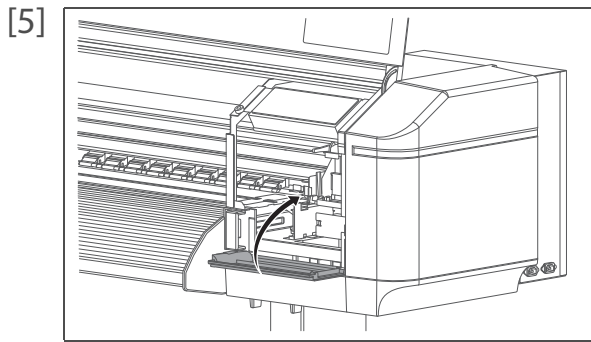


Use the cleaning stick to clean around the rubber part of the capping unit to remove the ink deposits and dust.

Capping unit: 2

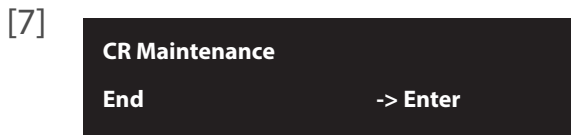


If it is hard to remove the stain, perform "Short" Head cleaning, and then clean again.

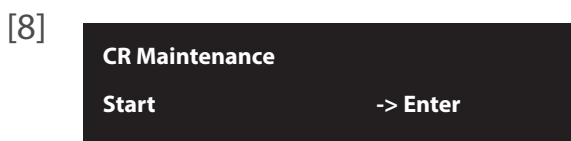



Close the maintenance cover.

[6] Close the front cover.



Tap  (Enter).



Tap  (Home) to end the cleaning process.

 Note

Used cleaning stick should be put in a plastic bag, etc, and dispose of it in compliance with local ordinance and instructions of local authorities.

Cleaning around the print head

Cleaning period:

- When print blurring and dot missing remain after head cleaning is done.

Preparation:

- Cleaning stick

Important!

During cleaning, please note the followings.

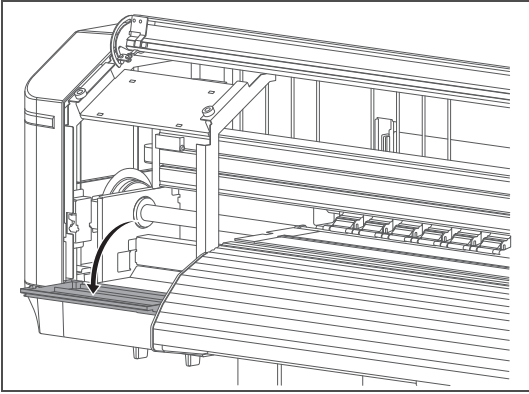
- Use a dry cleaning stick. A damp stick can cause damage to the print head.
- Do not touch the tip of a cleaning stick with fingers. Skin oil will damage the print head.
- Do not reuse a cleaning stick. Dust on the stick will damage the print head.
- This cleaning takes about 5 minutes. If it takes longer, the stick will get dry causing damage to the print head.

[1] Put the printer into the CR maintenance mode.

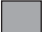
 ["Putting the printer into the CR maintenance mode" P. 126](#)

[2] Open the front cover.

[3]  Open the maintenance cover on the left side.



[4] Use the cleaning stick to remove the ink deposits or dust on the bottom of the carriage.

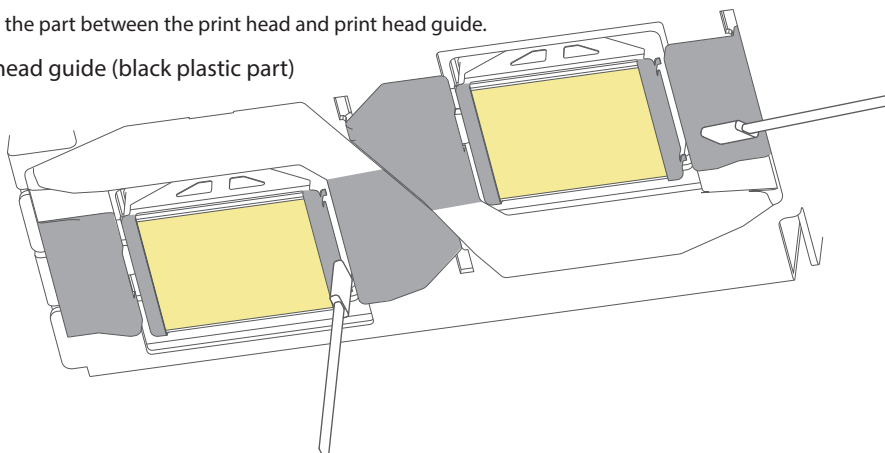
 Clean this part (grey)

 DO NOT touch the surface of a print head (yellow)

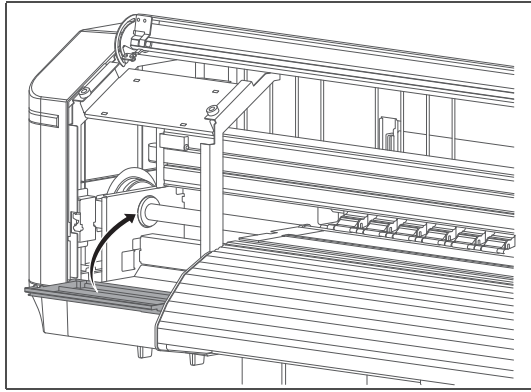
• Surface around print head (silver metal part)

※Clean the part between the print head and print head guide.

• Print head guide (black plastic part)



[5]

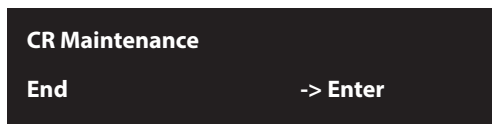


Close the maintenance cover.

[6]

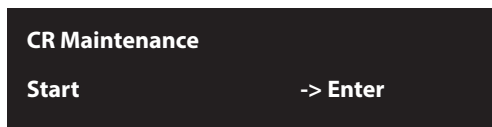
Close the front cover.


[7]



Tap  (Enter).

[8]



Tap  (Home) to end the cleaning process.

 Note

Used cleaning stick should be put in a plastic bag, etc, and dispose of it in compliance with local ordinance and instructions of local authorities.

Cleaning the color sensor

Cleaning period:

- If you repeatedly failed to perform an auto print quality calibration (Adjust Print 3 Auto).

Preparation:

- Cleaning stick
- Ethanol (commercially available item: Use one with a concentration of 50% or higher.)

Important!

During cleaning, please note the followings.

- Do not push the glass on the color sensor too hard with a cleaning stick. This will damage the glass.
- Do not reuse a cleaning stick. Dust may adhere to the color sensor causing malfunction.
- This cleaning takes about 5 minutes. If it takes longer, the stick will get dry causing damage to the print head.


[1] Put the printer into the CR maintenance mode.

 ["Putting the printer into the CR maintenance mode" P. 126](#)

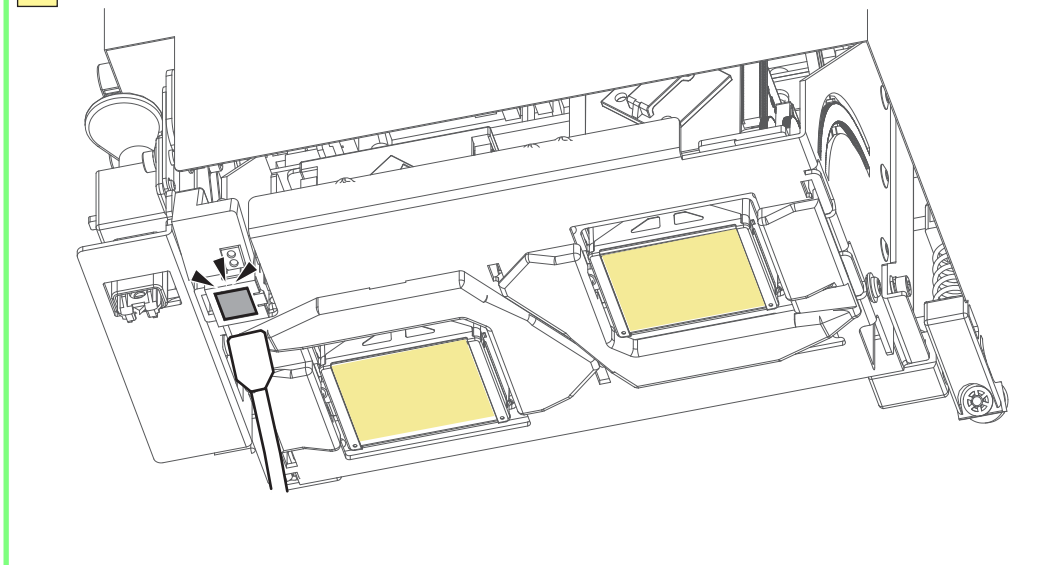
[2] Open the front cover.

[3]  Open the maintenance cover on the left side.

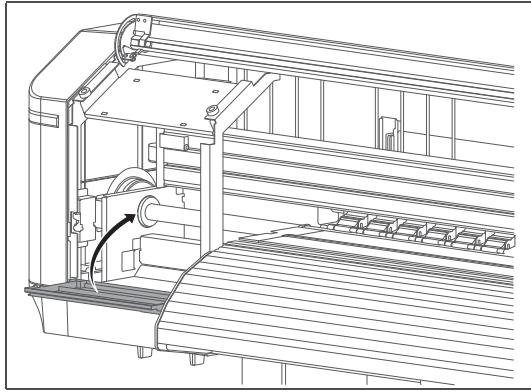
[4] Using a cleaning stick slightly dampened with ethanol, gently clean the glass on the color sensor located at the bottom of the carriage to remove ink and dust.

 Clean this part (Do not push the glass too hard.)

 DO NOT touch the surface of a print head (yellow)



[5]

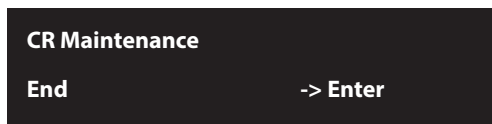


Close the maintenance cover.

[6]

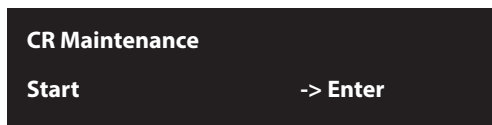
Close the front cover.


[7]



Tap  (Enter).

[8]



Tap  (Home) to end the cleaning process.

 Important!

If the problem still persists, contact your local MUTOH dealer or MUTOH customer support.

 Note

Used cleaning stick should be put in a plastic bag, etc, and dispose of it in compliance with local ordinance and instructions of local authorities.

Inside cleaning

Cleaning period:

- Monthly
- When dust or ink stains are visible

Preparation:

- Soft brush
- Paper towel or Soft cloth
- Ethanol (commercially available item: Use one with a concentration of 50% or higher.)
- Gloves

CAUTION



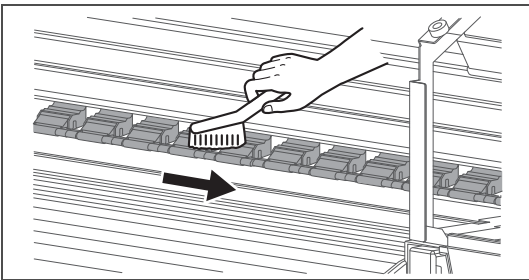
Unplug the power cable with the power OFF, before cleaning the inside of the printer.

Steps

- [1] Remove the media.
- [2] Make sure that the printer is turned OFF.
- [3] Open the front cover.

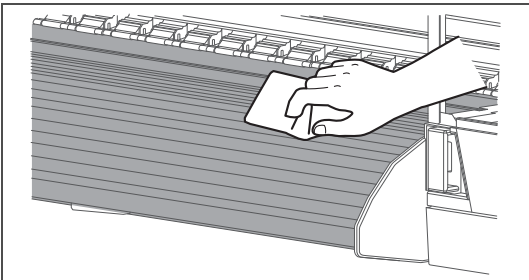
Important!

Immediately after turning off the power, the temperature of the heater in this product is very high. Touch the platen or media guide and if it is too hot, allow it to cool before cleaning.

- [4]  Brush off dusts on the pressure rollers with a soft brush.

Important!

Do not blow off dusts inside the product with a gas duster. Dust can attach to moving parts, causing abnormal sound or malfunctions.

- [5]  Use a soft cloth or paper towel slightly dampened with ethanol to clean off the ink on the platen, media guide and edge holder.

Important!

Wear protective gloves while cleaning.

- [6] Close the front cover.

Replacing consumable parts

Replacing absorption material for the flushing box

The flushing box is a part that keeps receiving ink discharged from the print head. Please replace the absorption material for the flushing box periodically. If used without replacing, it can cause damage to the print head.

Replacing period:

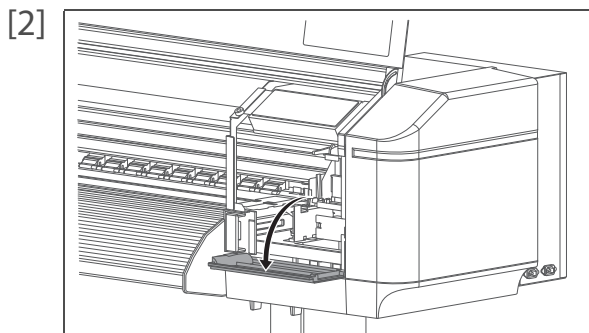
- When there are lumps of ink rise from the frame of the flushing box (Approx. every two months).
*Since it differs depending on usage frequency, please check periodically.

Preparation:

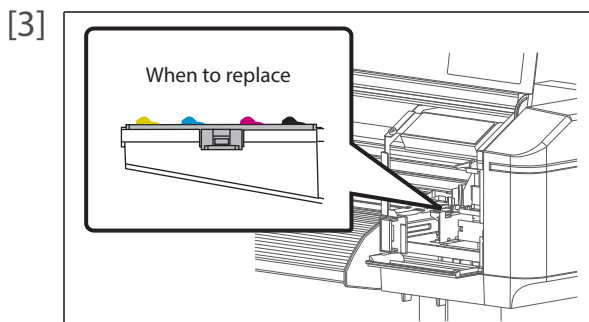
- Absorption material for the flushing box
- Paper you can get dirty (paper which ink will not bleed through)

1. Checking steps

[1] Open the front cover.

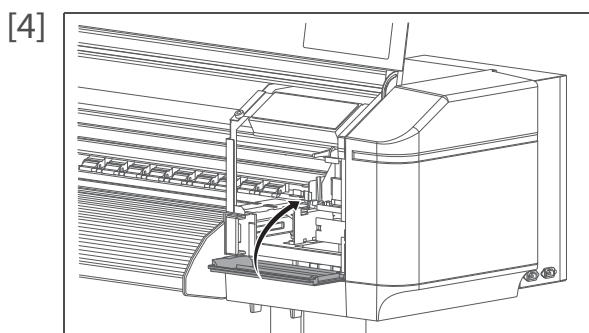


Open the maintenance cover on the right side.



Check the absorption material for the flushing box.

- When there are lumps of ink rise from the frame of the flushing box, it is time to replace.



Close the maintenance cover.

[5] Close the front cover.

2. Replacing steps

- [1] Put the printer into the CR maintenance mode.

 **"Putting the printer into the CR maintenance mode" P. 126**

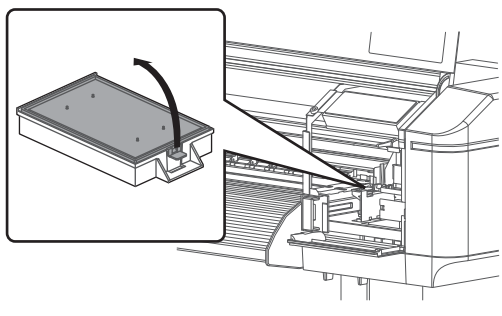
- [2] Open the front cover.

- [3]  Open the maintenance cover on the right side.

- [4] Cover the platen with the paper you can get dirty.

Important!

**Ink may drip from the absorption material for the flushing box.
We recommend covering the floor with paper as well.**

- [5]  Pull the tab up of the absorption material for the flushing box, and release the hook.
Then remove the absorption material for the flushing box.

Important!

When removing the absorption material for the flushing box, be cautious of ink drops.

Note

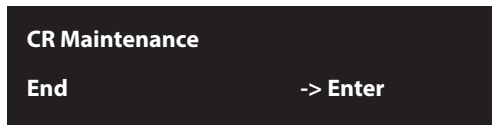
Used absorption material for the flushing box should be put in a plastic bag, etc, and dispose of it in compliance with local ordinance and instructions of local authorities.

- [6]  Attach new absorption material for the flushing box.

- [7]  Close the maintenance cover.

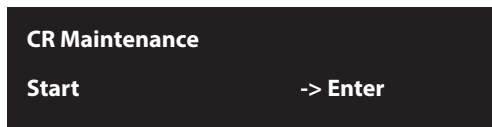
[8] Close the front cover.


[9]



Tap  (Enter).

[10]



Tap  (Home) to end the cleaning process.

Replacing Cutter

Replacing period:

- When the media is not cut smoothly
- When the cut surface is feathered, etc

Preparation:

- Cutter replacement blade

CAUTION



- **Do not push the knob of cutter or release suddenly.**
Because there is a spring under the cutter, the cutter can jump out.
- **Do not touch the cutter blade.**
It may cause injury.

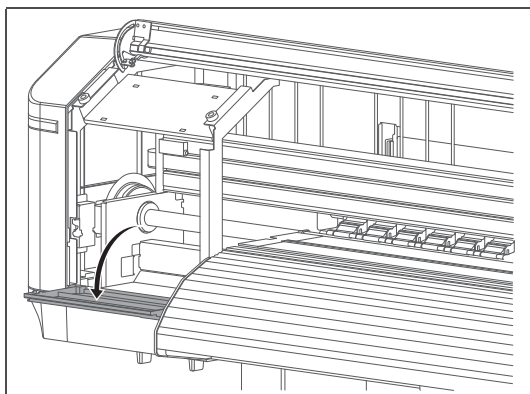
Steps

[1] Put the printer into the CR maintenance mode.

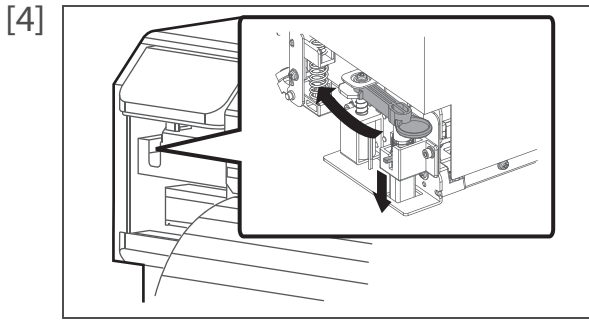
 ["Putting the printer into the CR maintenance mode" P. 126](#)

[2] Open the front cover.

[3]



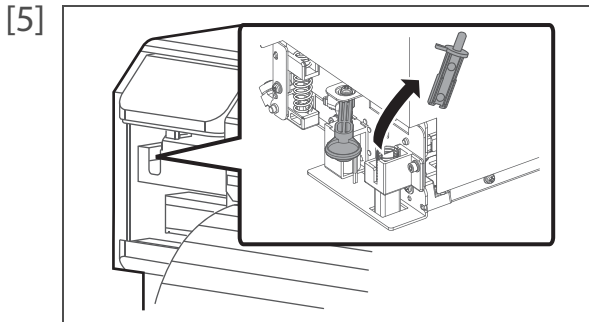
Open the maintenance cover on the left side.



Press the cutter cap lightly, turn Cutter holder in the direction as illustrated below.

Important!

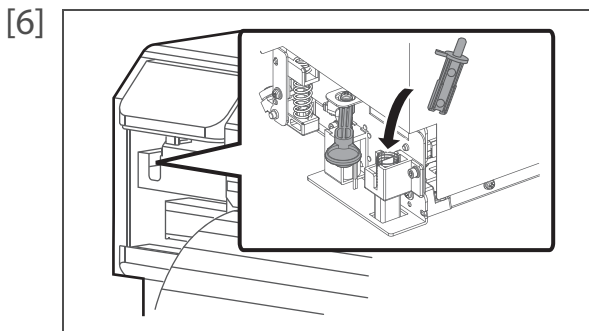
**Do not push down the cutter cap.
It may damage the part.**



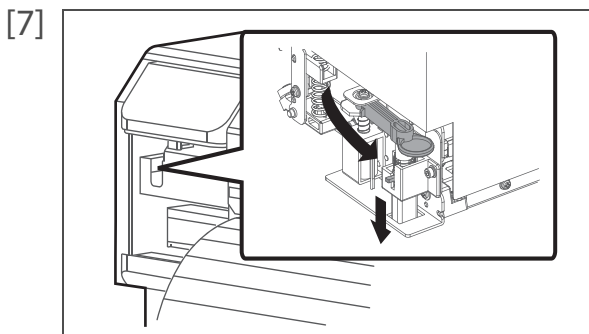
Remove the Cutter.

Note

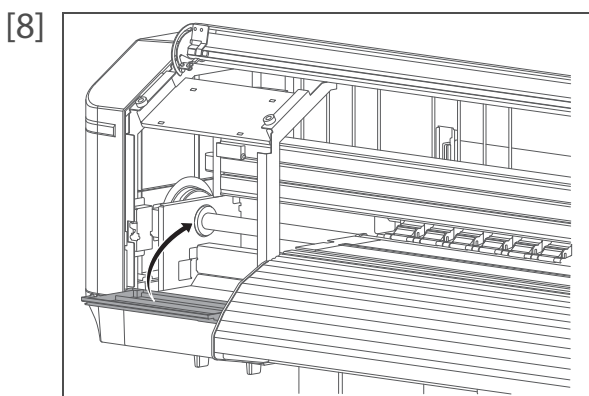
Used Cutter should be put in a plastic bag, etc, and dispose of it in compliance with local ordinance and instructions of local authorities.



Attach a new cutter.

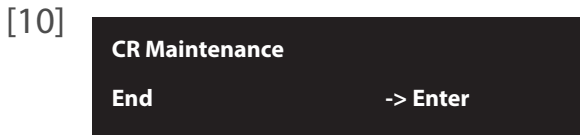


Press the cutter cap lightly, return Cutter holder to its initial position.

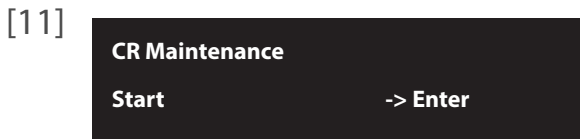



Close the maintenance cover.

[9] Close the front cover.



Tap  (Enter).



Tap  (Home) to end the cleaning process.

Replacing the cleaning wiper

The cleaning wiper is an essential part to make printing consistent. Please replace it periodically.

Replacing period:

- Approx. every six months

Preparation

- Plastic gloves, glasses, mask
- Absorption material for the flushing box
- Paper you can get dirty (paper which ink will not bleed through)

CAUTION



Wear protective equipment (gloves, goggles or eye protection, protective mask, protective clothing) when handling ink.

Be cautious that ink does not get into your eye or make a contact with your skin.

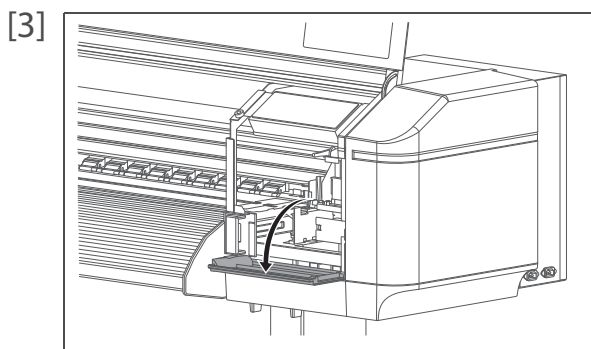
When ink gets into your eye or make a contact with your skin, wash with water immediately. If left as it is, it may cause red eye or light inflammation. If it is necessary, please see your doctor immediately.

Steps

- [1] Put the printer into the CR maintenance mode.

 ["Putting the printer into the CR maintenance mode" P. 126](#)

- [2] Open the front cover.

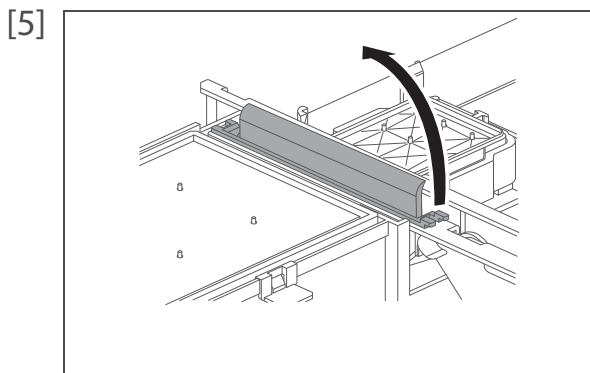


Open the maintenance cover on the right side.

[4] Cover the platen with the paper you can get dirty.

Important!

**Ink may drip from the cleaning wiper.
We recommend covering the floor with paper as well.**



Remove the cleaning wiper.

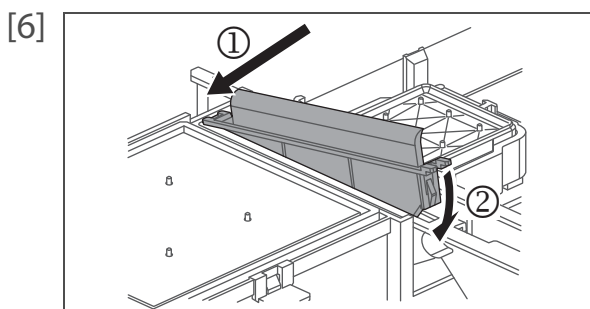
- Lift the cleaning wiper hook and release the hook. Then, remove the cleaning wiper.

Important!

When removing the cleaning wiper, be cautious of ink drops.

Note

Used cleaning wiper should be put in a plastic bag, etc, and dispose of it in compliance with local ordinance and instructions of local authorities.

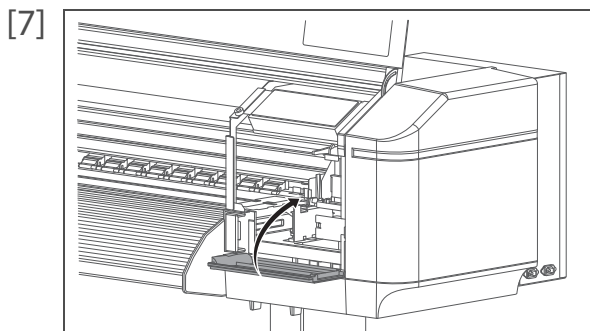


Follow the steps below to install new cleaning wiper.

- Slide the front side of the new cleaning wiper into its slot.
- Press the wiper hook down until it clicks into place.

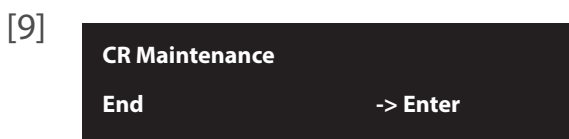
Important!

**Do NOT touch the cleaning wiper rubber with your bare hand.
If finger oil gets on the rubber, it will damage the print head.**

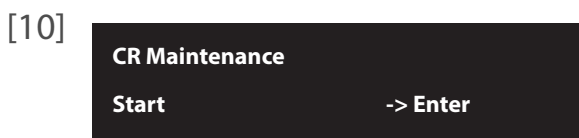



Close the maintenance cover.

[8] Close the front cover.



Tap  (Enter).



Tap  (Home) to end the cleaning process.

Replacing Adapter's plug

Replacing period:

- When "[*****] Change Plug" is displayed on the Operation panel.

Preparation

- Plastic gloves, glasses, mask
- Cleaning stick
- Paper towel or Soft cloth
- Adapter's plug
- Fine-tipped tool (such as precision screwdrivers)
- High-capacity ink pack adapter sealing jig

CAUTION



Wear protective equipment (gloves, goggles or eye protection, protective mask, protective clothing) when handling ink.

Be cautious that ink does not get into your eye or make a contact with your skin.

When ink gets into your eye or make a contact with your skin, wash with water immediately. If left as it is, it may cause red eye or light inflammation. If it is necessary, please see your doctor immediately.



Important!

Using the printer without replacing adapter's plug can cause ink leakage.

Note

- [*****] on the message indicates the ink slot number that the adapter's plug of the installed high-capacity ink pack adapter needs to be replaced.
- If you do not have a spare adapter's plug, keep the high-capacity ink pack adapter inserted in the printer, but replace the plug as soon as possible. Leaving the printer without high-capacity ink pack adapter can clog the Head.
- When the included adapter's plugs have run out, contact your local MUTOH dealer.

When the plug life ends, the status LED turns on red and a message is displayed.

Follow the procedure below to replace the plug.

[1]

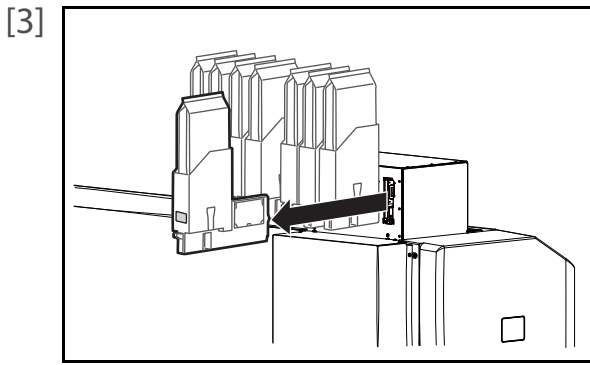


Tap [Enter].

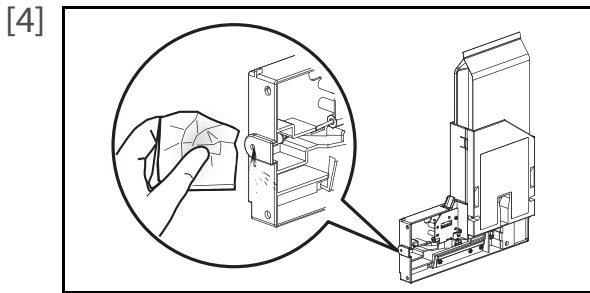
[2]



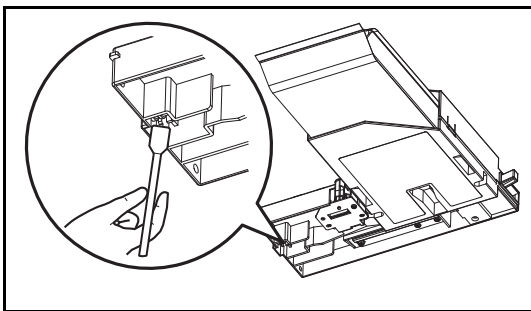
The message on the left will appear.



Wear the plastic gloves, and then remove high-capacity ink pack adapters to be replaced from the ink slots.

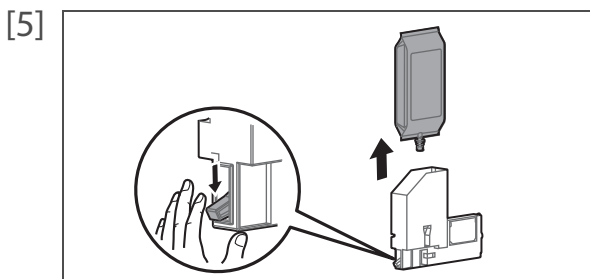


Using the paper towel provided with the printer to wipe off the ink attached to the insertion point for high-capacity ink pack adapters.

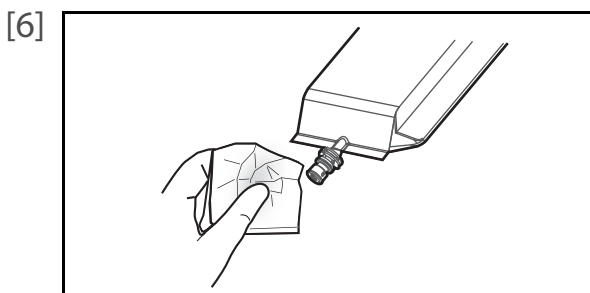


Tilt high-capacity ink pack adapters, use cleaning stick provided with the printer, and absorb the ink collected around the tube connectors.

- Tilt high-capacity ink pack adapter so that the caution label is facing down.
- Tilt high-capacity ink pack adapter so that the insertion point is lowered a little.

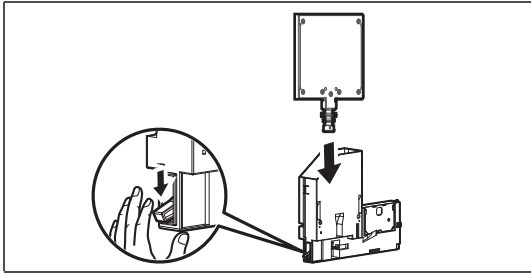


Lower the lock lever on the high-capacity ink pack adapter and detach the ink bag.



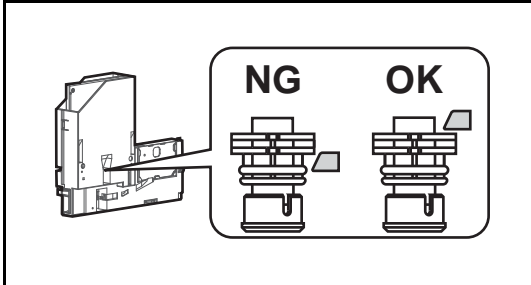
Using the paper towel provided with the printer to wipe off the ink adhering around the inlet of ink bag.

[7]



While lowering the lock lever of the high-capacity ink pack adapter, insert the sealing jig.

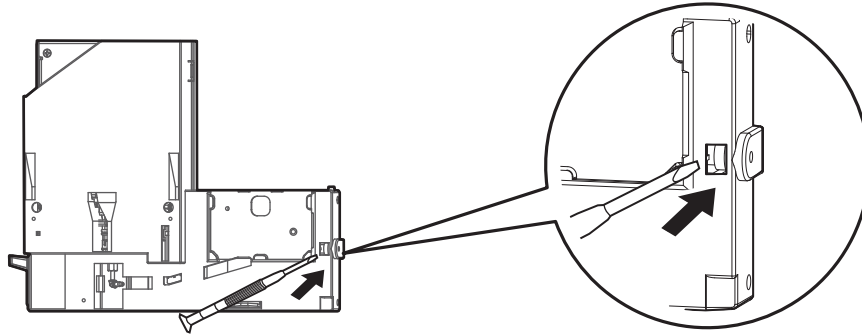
- Make sure to fully insert the sealing jig into the high-capacity ink pack adapter.



- Confirm the sealing jig is fully seated by checking the lock mechanism is at the top of the ink delivery neck through the observation window, see proper placement in image below.

[8]

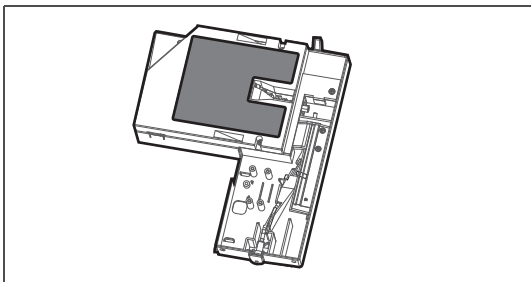
Use a fine-tipped tool to push out the tube connector from the left gap of the high-capacity ink pack adapter.



 Note

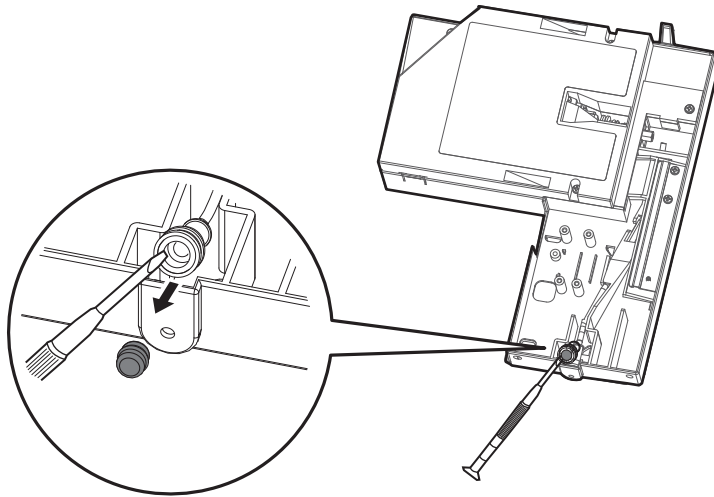
- When replacing the adapter's plug, make sure that the sealing jig is properly inserted to the adapter. If not inserted, ink remained in the tube may spill out from the connector.
- When pushing the tube connector, be careful not to damage it with the tool.

[9]



Lay the high-capacity ink pack adapter sideways gently with the caution label side up.

[10] Use a fine-tipped tool to remove the adapter's plug from the tube connector.

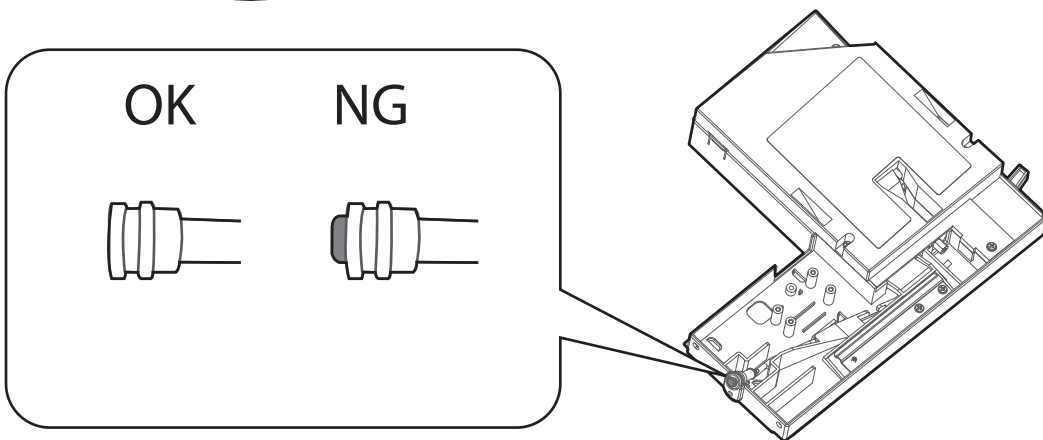
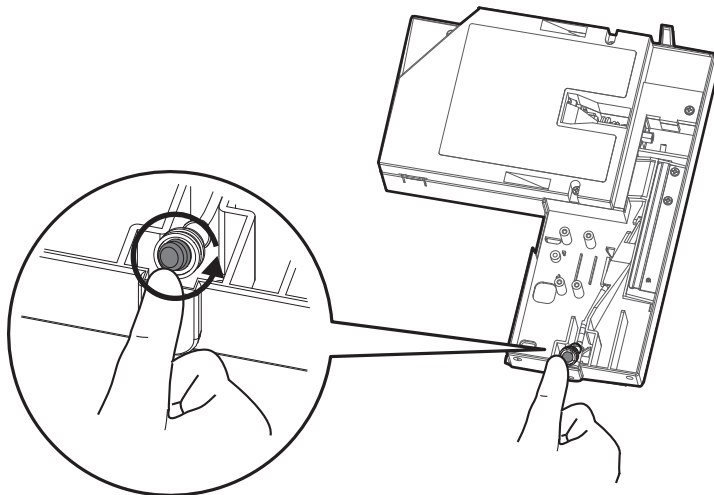


 Note

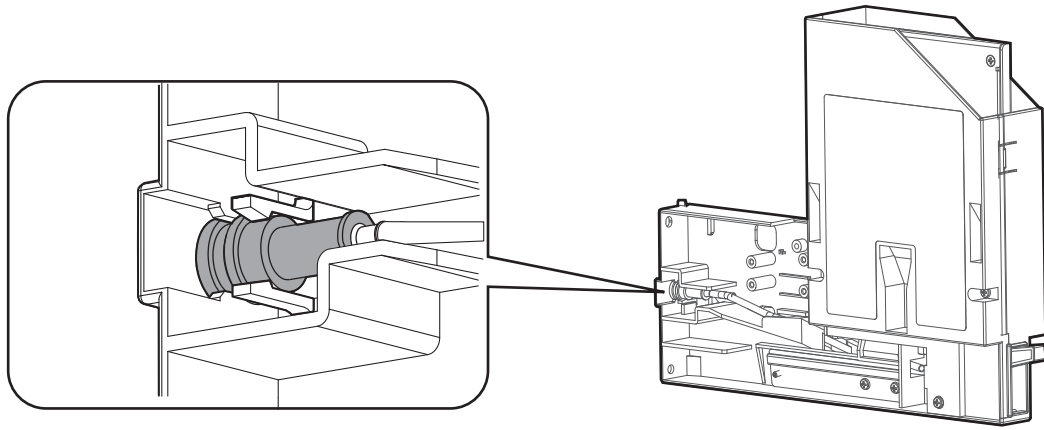
- Do not bend the tube connected to the tube connector as much as possible. The tube may be broken.
- When removing the adapter's plug, do not face the opening of tube connector downward. The remaining ink in the tube may leak.

[11] Push a new adapter's plug into the tube connector about a half way.

- Push the adapter's plug into the tube connector completely.
(If difficult, push while turning the adapter's plug with one finger to fully insert it into the connector.)

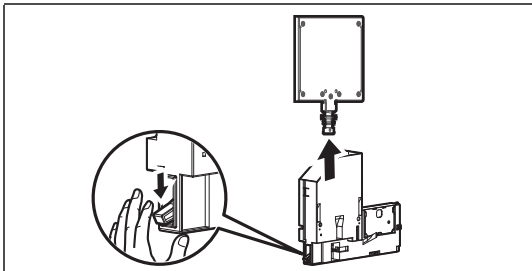


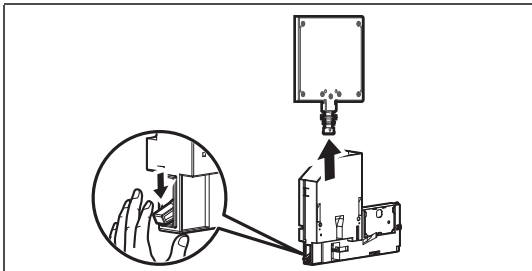
[12] Install the tube connector back to the tabs of high-capacity ink pack adapter securely.

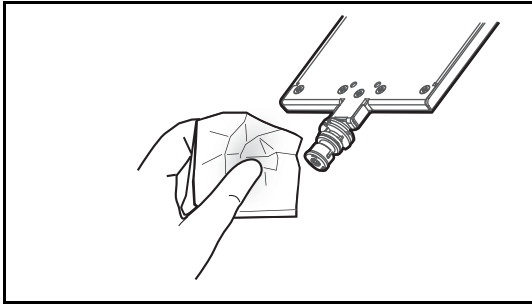


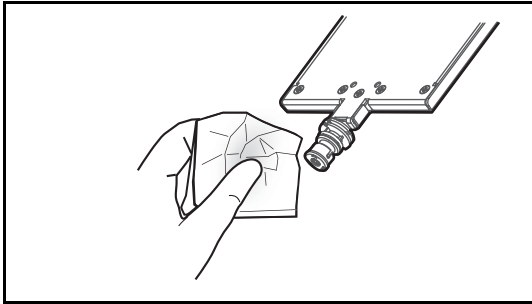
 Note

If the tube connector is not securely installed to the tabs, the high-capacity ink pack adapter may not be installed to the printer correctly.

[13]  Remove the sealing jig from the high-capacity ink pack adapter.



[14]  Using the paper towel provided with the printer to wipe off the ink adhering around the inlet of the sealing jig.

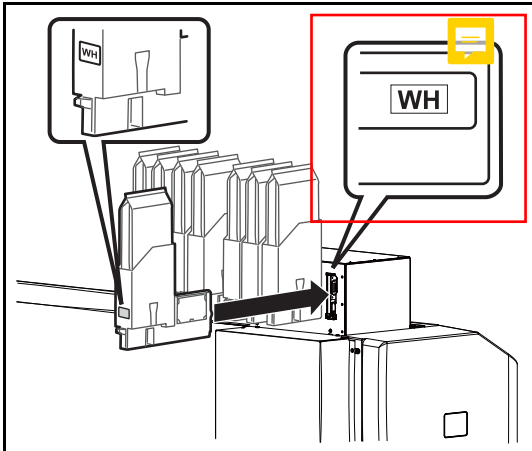


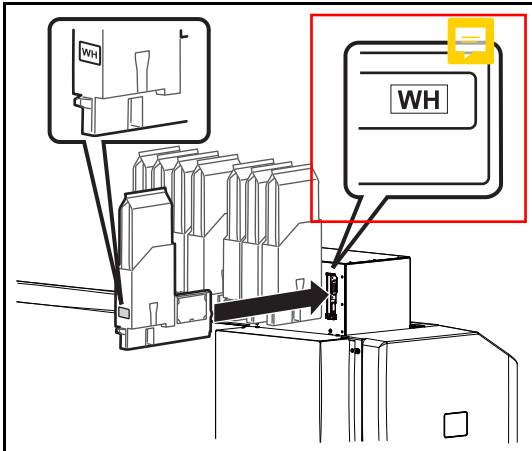
 Note

The sealing jig is required when replacing an adapter's plug. Keep it for the next use.

[15] Install the ink bag to the high-capacity ink pack adapter.

 ["Attaching ink bag" P. 119](#)

[16]  Re-insert the high-capacity ink pack adapters into Ink slots.



- Make sure to match the ink color with the label of this printer.
- Insert all the way to the end.

 Important!

Make sure you insert the high-capacity ink pack adapters into the original slots. Even when you have the same color ink packs, do not switch and insert them into different slots.

[17] [8] Plug Changed ? No

When inserting the replaced adapter, the message on the left will appear.

- Tap .

[18] [8] Plug Changed ? Yes

Tap [Enter].

- The adapter's plug lifetime counter will be reset.

 Important!

- **If the adapter's plug is not replaced, do not choose "Yes".**
- **Ink leakage may occur by continuing to use such adapter's plug.**

Moving or transporting the printer

This section describes how to move or transport the printer.


Moving the printer

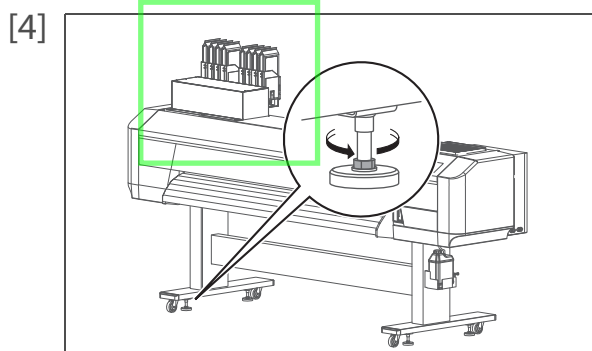
This section describes how to move the printer.

Important!

- **When moving the printer, make sure to maintain a horizontal position.**
- **Do not tilt, set against something or place this product upside down.**
Otherwise the ink may leak or the handling mentioned above may cause abnormality.

1. Preparation before moving




- [1] Make sure that the printer is turned OFF.
- [2] Dispose of waste fluid.
 ["Emptying waste ink tank" P. 121](#)
- [3] Remove all the cables, such as Power cord set.



Loosen the four adjusters of Stand as shown in the left.

- [5] Move the printer.

2. Reinstalling

- [1] Select a suitable place for installation.
 [Startup Guide](#)
- [2] Move and install the printer to the location.
- [3] Attach Cables, such as Power cord set.
- [4] Perform Nozzle check, and then confirm that there is no clogging in Print head.
 ["Nozzle check F steps" P. 31](#)
- [5] Perform print quality adjustment.
 ["Print quality calibration steps" P. 36](#)

Transporting the printer

When transporting the printer, make sure to pack it in the same condition as purchased, using protective and packing materials to protect the printer from vibration and shocks.



When transporting the printer, consult the MUTOH product dealer at your point of purchase.

Long-term storage

If not using the printer for a long time, execute [Longstore].

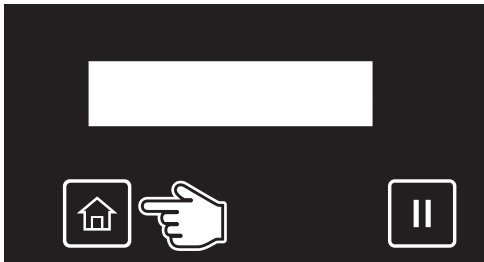
Preparation:

- Cleaning bag: 8

[1] Empty the waste ink tank.

 ["Emptying waste ink tank" P. 121](#)

[2]



Tap  (Home).


[3]



Tap .

[4]



Tap  until the menu on the left appears.

• Tap .

[5]

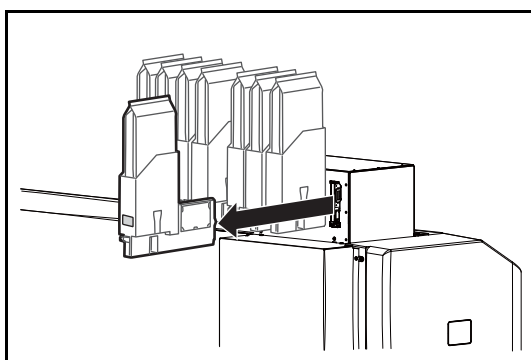


Tap  (Enter).

The message on the left will appear.

Remove Cartridges

[6]



Remove all high-capacity ink pack adapters from the ink slots.

- Store the ink bag together with the corresponding S/C card.

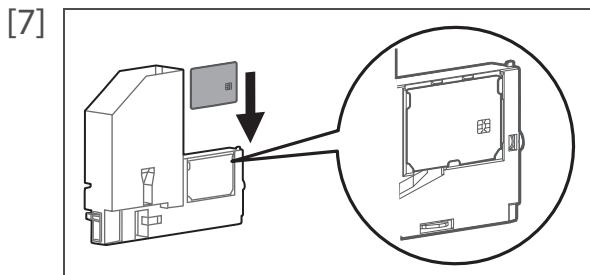
Discharging

The message on the left will appear.

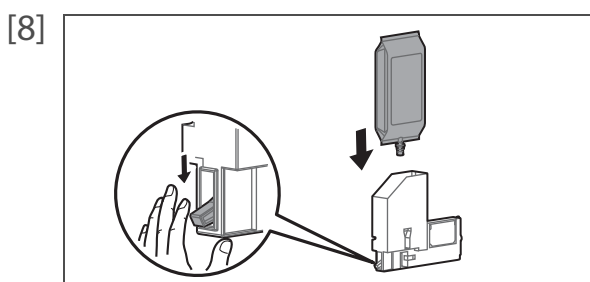
- Ink discharging begins.

Insert CleaningCart.

When the discharge is complete, the message to the left is displayed.

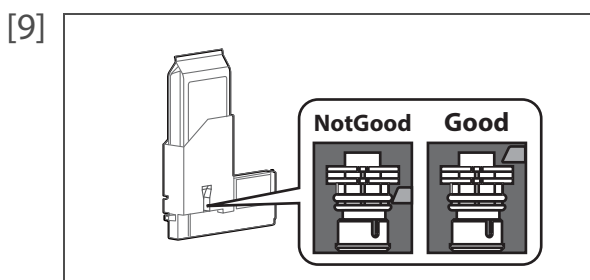


Slide the S/C card into the tabs of the adapter.

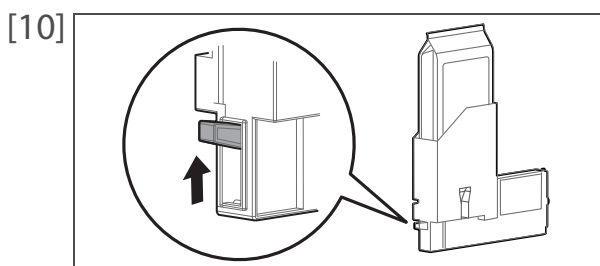


While lowering the lock lever of the high-capacity ink pack adapter, insert a cleaning bag.

- Make sure to fully insert the cleaning bag into the high-capacity ink pack adapter.



Confirm cleaning bag is fully seated by checking the lock mechanism is at the top of the ink delivery neck through the observation window, see proper placement in illustration left.



Make sure that the lock lever of the high-capacity ink pack adapter is back to its original position.

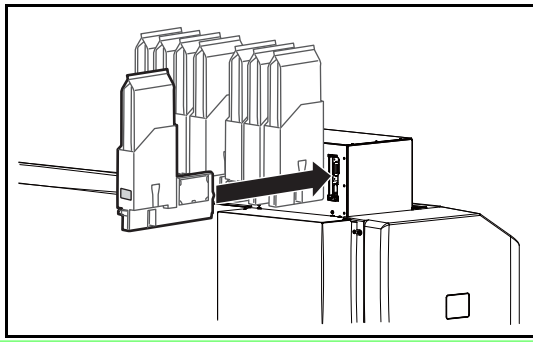
Important!

If Lock lever does not return to its original position and is left that way, it may cause cleaner leakage.

Note

After inserting a cleaning bag to high-capacity ink pack adapter, if Lock lever does not return to its original position, push up the lever with your finger. If it still does not return, insert the cleaning bag again.

[11]



Re-insert the high-capacity ink pack adapters into Ink slots.

- Insert all the way to the end.

Washing Head

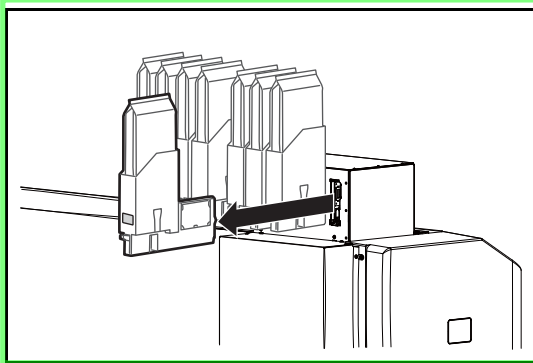
The message on the left will appear.

- Charging of the cleaner begins.

Remove Cartridges

When charging of the cleaner is complete, the message to the left is displayed.

[12]



Remove all high-capacity ink pack adapters from the ink slots.

Washing Head

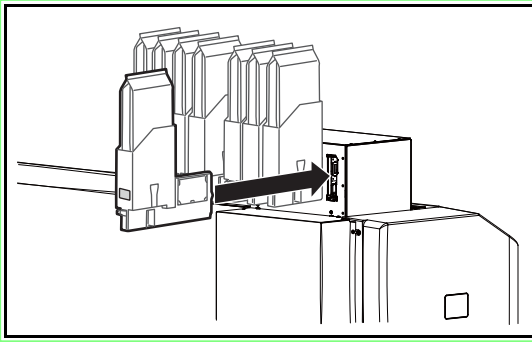
The message on the left will appear.

- Cleaner discharging begins.

Insert CleaningCart.

When the discharge is complete, the message to the left is displayed.

[13]



Re-insert the high-capacity ink pack adapters into Ink slots.

- Insert all the way to the end.

Washing Head

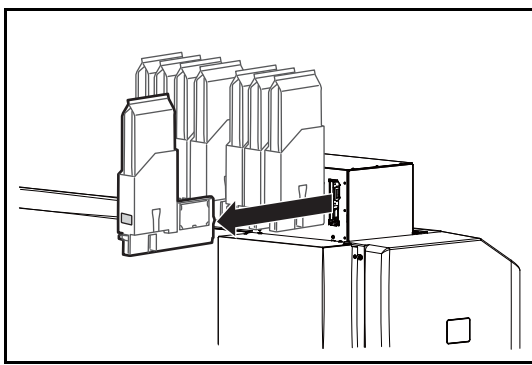
The message on the left will appear.

- Charging of the cleaner begins.

Remove Cartridges

When charging of the cleaner is complete, the message to the left is displayed.

[14]



Remove all high-capacity ink pack adapters from the ink slots.

Washing Head

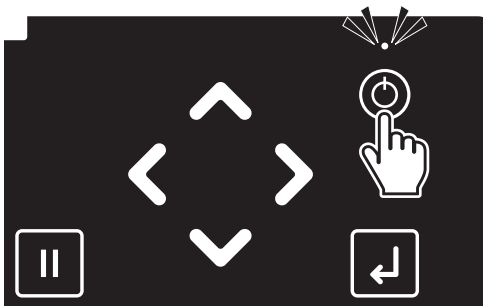
The message on the left will appear.

- Cleaner discharging begins.

[ALL] Discharged

When discharging is complete, the message to the left is displayed.

[15]

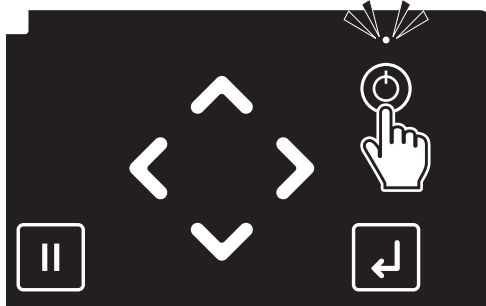


Long press the Power button.

- This product starts its powering off operations.
- When the message "Power Off" appears on the panel, release the Power button.
- The Power LED lights off.

Performing initial charging after head cleaning

[1]



Long press the Power button.


- The Power LED (above the Power button) lights up.
- This product starts its initialization operations.

Note

Once the Power LED lights up, release the Power button.


[2]





When the message to the left is displayed, tap  (Enter).

[3]



When the message to the left is displayed, tap  (Enter).

Note

If you need to perform a head cleaning and "Wash retry? No" is displayed, tap the  key to change the display to "Wash retry? Yes" and tap  (Enter).

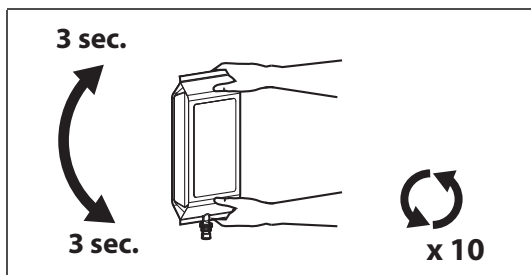
After that, follow the instructions displayed on the front panel.

When cleaning is complete, "Insert InkCartridges" is displayed. Proceed to step 4 in this section.

Insert InkCartridges

The message on the left will appear.

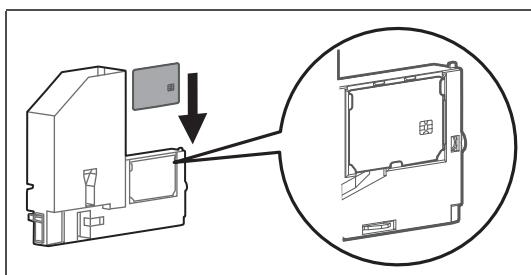
[4]



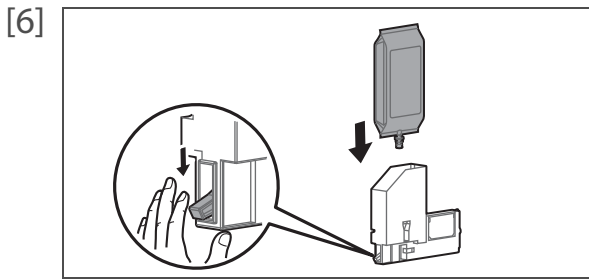
Prepare the new ink bag, and agitate it as instructed below.

- Turn the ink plug upward and wait for three seconds.
- Next, turn the ink plug downward and wait for three seconds.
- Repeat that 10 times.

[5]

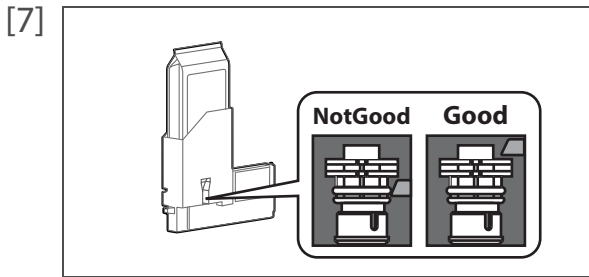


Slide the S/C card into the tabs of the adapter.

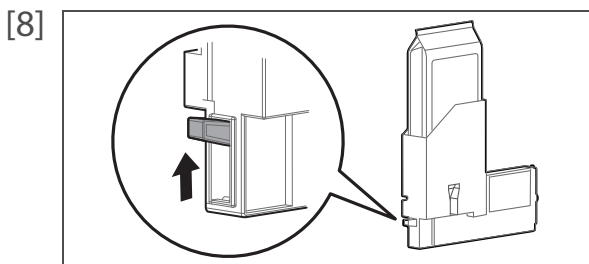


While lowering the lock lever of the high-capacity ink pack adapter, insert an ink bag.

- Make sure to fully insert the ink bag into the high-capacity ink pack adapter.



Confirm ink bag is fully seated by checking the lock mechanism is at the top of the ink delivery neck through the observation window, see proper placement in illustration left.



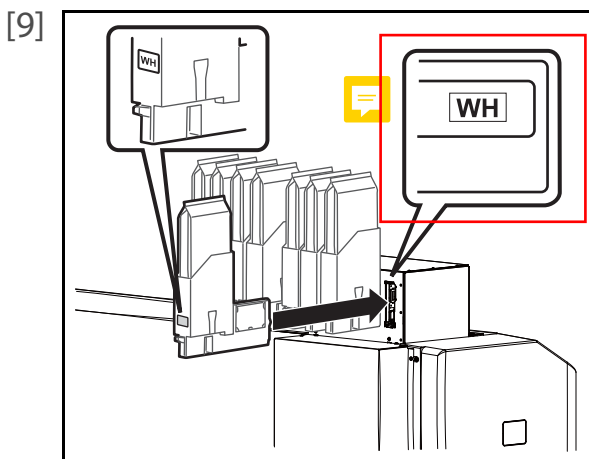
Make sure that the lock lever of the high-capacity ink pack adapter is back to its original position.

Important!

If Lock lever does not return to its original position and is left that way, it may cause ink leakage.

Note

After inserting an Ink bag to high-capacity ink pack adapter, if Lock lever does not return to its original position, push up the lever with your finger. If it still does not return, insert the Ink bag again.



Re-insert the high-capacity ink pack adapters into Ink slots.

- Make sure to match the ink color with the label of this printer.
- Insert all the way to the end.

Important!

Make sure you insert the high-capacity ink pack adapters into the original slots. Even when you have the same color ink packs, do not switch and insert them into different slots.



The message on the left will appear.

- Ink charging begins.

 **CAUTION**



During ink charging, make sure:

- Not to turn OFF the printer.
- Not to unplug the power cable of the printer.
- Not to open the front cover.
- Not to open the maintenance cover.
- Not to release the pressure rollers.

Media End

PG: Low

When ink charging is complete, the message to the left is displayed.

 **Important!**

If the printer perform the nozzle check printing immediately after the initial ink charge is complete, the following results may occur.

- Printed lines become blurred.
- The data is partially not printed.

In such cases, follow "[Menu 3: Cleaning](#)" P. 98 and perform "Little Charge". Then, check the print result.

If there is no improvement in the print result even after performing "Little Charge", leave the printer unused for an hour or more.

Then perform "Little Charge" again and check the print result.

If there is still no improvement, contact your local MUTOH dealer.

Chapter 4 Appendix





Messages and Error Messages	158
Status messages	158
Error message display and remedies	160
Error requiring restart	163
Troubleshooting	164
Installation and initial setup troubleshooting	164
Boot-up troubleshooting	165
Media-related troubleshooting	166
Printing-related troubleshooting	168
The media is jammed	172
Specifications of this product	175
List of specifications	175
Options / Supply list	178
Revision History	179




Messages and Error Messages

This section describes messages displayed during normal printer operation or when errors occur, and solutions to the messages.

Status messages

This section describes messages displayed during printer normal operation. When the product is operating correctly, each operation status is displayed on the front panel as below.

Display	Description
Ready to Print PG: Low W: XXXX mm	Standby (Media is loaded).
Media End PG: Low	Standby (Media is not loaded).  "Loading a roll media" P. 22
Receiving PG: Low W: XXXX mm	Receiving data.
Converting PG: Low W: XXXX mm	Analyzing data.
Printing PG: Low W: XXXX mm	Under printing.
Remain: XXX.Xm	Displays the length of the data that has not been printed in meters for the data currently being printed.
Remain Time: XXX.Xmin	Displays the time remaining to print in minutes for the data currently being printed.
Media Remain: XXX m	Displays the remaining length of the media currently set in meters.
Pausing Print Cancel Print -> Enter	Pausing printing. <ul style="list-style-type: none"> • Tap  (Cancel) to resume printing. • Tap  (Enter) to cancel the print job.
Warming Up	Warming up Heater.
Warming Up Skip -> Enter	Received the printing data while Heater is warming up. To start printing before Heater is warmed up, press the  (Enter) key.
Cleaning **%	Cleaning. Please wait a while.
Ink Refill **%	Charging the ink. Please wait a while.
Busy-Washing	<ul style="list-style-type: none"> • Initial charging, ejecting filler fluid. • Washing the print head by cleaning fluid. Please wait a while.

Display	Description
During discharge	Flushing ink from the print head in the head cleaning process. Please wait a while.
User: Type ** OK?	Initializing the media. Please wait a while.
Media Initial	(** represents the set User type.)
Move To Origin Position	The print head is moving to the print start position to check the print origin Please wait a while.
Confirm Position End -> Enter	The print head has moved to the print start position. If it shows the intended position, tap  (Enter).
Power Off	Turning OFF the printer. Wait for a while.
Insert InkCartridges	Charging the ink. Insert high-capacity ink pack adapters.
Insert CleaningCart.	Washing Print head. Install cleaning bags.
Remove Cartridges	Washing Print head or discharging ink. Remove high-capacity ink pack adapters.
S/C Reading	Reading the S/C card.
*** Remote Mode *** End -> Enter	The remote panel mode is running, via MSM or similar. In the remote panel mode, operations via the front panel are not possible. To terminate the remote panel mode, press the  (Enter) key for more than two seconds.
Roll Remain Error	The remaining roll paper count has become 0. (Printing stops)
Roll Near End: *m	The remaining roll paper count is almost 0. The remaining roll paper is *m.
Color: * color	Choose the ink configuration you want to use.
Life Times [Pump]	The operational life of the pump motor has almost expired. (Continues operation) Contact your local MUTOH dealer.
Life Times [CR Motor]	The operation life CR motor has almost expired. (Continues operation) Contact your local MUTOH dealer.
Life Times [PF Motor]	The operational life of the PF motor has almost expired. (Continues operation) Contact your local MUTOH dealer.
Life Times [C Pump]	The operational life of Circulation pump motor is almost expired. (Continues operation) Contact your local MUTOH dealer.
Nozzle Check F Start -> Enter	The printer has been in sleep mode for one week. Press the [Enter] key to return the printer to Normal operation. Agitate ink cartridges (ink bags), and then perform Nozzle Check.
[*] Change Plug OK -> Enter	Connector rubber for High-capacity ink pack adapter is at the end of its life. Replace Connector rubber of High-capacity ink pack adapter.  "Replacing Adapter's plug" P. 142
Ink Circulation	Ink is circulating inside the printer.
Shake W Cartridge	Agitate the White (Wh) ink.





















Error message display and remedies

This section describes error messages and remedies.

Error messages are displayed when certain failures occur during printer operation.

If an error that can be displayed occurs, the printer may display the following error messages on the front panel and stop operation.

Display	Description
Cover Open	Any or all of covers (front cover, maintenance cover right, maintenance cover left) are open. Close the cover.
Put Lever Back	The pressure rollers is released. Lower the pressure rollers.
Hold Media	The media is not loaded. Load the media.  "Loading a roll media" P. 22
Undefined Media	Media detection has failed. (Stops operation) Reload the media.
Media Slant	Media is fed obliquely. (Stops operation) Reload the media.
Media Cut Error	The media was not cut. (Stops operation)
Change Head Gap *** PG: *** W: ****mm	The head height on the printer does not match with the one specified on the print data.  "Changing the Head Height" P. 39
End Of Roll	The Media has run out. (Stops operation) Load a new media.  "Loading a roll media" P. 22
[*****] No Cart.	High-capacity ink pack adapter is not inserted. (Stops operation) Insert high-capacity ink pack adapter.
[*****] Ink Low	Slot * ink is low. Get a replacement bag ready.
[*****] Ink End	The ink bag has run out of ink. (Stops operation) Replace both the ink bag and the S/C card with new ones.  "Replacing ink bag" P. 118
[*****] Discharged	Ink is not filled. Perform initial ink charging.  "Performing initial charging after head cleaning" P. 154
Full WasteInkTank	The waste ink tank is full. (Stops operation) Immediately empty the tank.  "Emptying waste ink tank" P. 121
[*****] S/C ReadErr	Reading S/C Card has been failed. Insert S/C Card again.
[*****] S/C Col.Err	High-capacity ink pack adapters are inserted in wrong slots. Insert high-capacity ink pack adapters correctly again.
[*] S/C Ink Err	The ink bag cannot be used for this printer. Contact your local MUTOH dealer.
[*] S/C CodeErr	Inserted ink bag is not a proper one. Contact your local MUTOH dealer.

Display	Description
[*] S/C Ink Low	Slot * ink is low. Get a replacement bag ready.
[*] Broken Chip	S/C Card has been broken. Insert new ink bag.
[*****] Check Ink	High-capacity ink pack adapter is not correctly detected. Insert high-capacity ink pack adapter again. If there is still no improvement, contact your local MUTOH dealer.
Cannot Operate Outside Print Area	The printer is unable to print because there is not enough printable width on the media. Adjust printable width by changing CR origin and side margin (left and right side margin) settings.  "Setup 5: Media Width" P. 77 , "Setup 8: Origin" P. 80 , "Setup 3: Side Margin" P. 76 Printable width needed varies depending on the types of test print. Adjust the above settings to secure enough width.  "***>2: Adjust Print>" P. 62 (at least 550 mm)  "***>3: PF Adjust" P. 68 (at least 400 mm)  "Test Print 5: Adjust Head" P. 95 (at least 550 mm)  "Roll Length Manage1: Print" P. 106 , "Roll Length Manage2: Simple Print" P. 106 (at least 400 mm)
Cannot Operate Media Initial - Off	The printer is unable to display the "Roll Length Manage" menu because Media Initial is set to "Off".  "Setup 4: Media Initial" P. 77 Switch Media Initial to "Top&Width" or "Width" and then select "Menu 9 Roll Length Manage".  "Menu9: Roll Length Manage" P. 105
Cannot Operate No Media	The media is not loaded. Load the media.  "Loading a roll media" P. 22
Cannot Operate Roll Length - Off	The printer is unable to print because the "Roll Length" setting is set to "Off".  "Setup 17: Roll Length" P. 84 Specify the "Roll Length" settings and then select Print or Simple Print.  "Roll Length Manage1: Print" P. 106 , "Roll Length Manage2: Simple Print" P. 106
Cannot Operate Output Mode - Take Up	The printer is unable to scan because Output Mode is set to "Take Up".  "Setup 6: Output Mode" P. 77 Switch Output Mode to "Off" and then select the Scan menu.  "Roll Length Manage3: Scan" P. 107

 **Note**

- "***" in the message "Change Head Gap ***" represents the head height (High, Mid, or Low).
- [*****] in the error message indicates the target ink slot.
- If "Ink End" or "No S/C Card" and "No Cart" occur at the same time, "No Cart" message has priority to be displayed.


Smartchip recovery

When the following message is prompted on the operation panel, a smartchip error such as broken chip may have occurred in the S/C card.

Check that the correct color is inserted in the slot and perform smartchip recovery.

This will allow you to continue to print.

To perform smartchip recovery, do one of the followings according to the message appeared.

Display	Description
[*****] S/C Recog. E	The S/C card that needs smartchip recovery may have been installed. Remove the S/C card and insert it again. If the printer is still unable to read it, insert a new S/C card. <ul style="list-style-type: none">• If a message "[**] Check Color OK ->Enter" appears after the S/C card is reinserted, follow the message "[**] Check Color OK ->Enter" to operate.
[**] Check Color OK ->Enter	The S/C card that needs smartchip recovery may have been installed. Check that the ink color of the S/C card inserted is correct. <ul style="list-style-type: none">• In case of wrong color insertion, insert a correct S/C card.• If color is correct, tap  (Enter). The printer will perform smart chip recovery and will continue to print.
[*] Chg. S/C Card	The ink bag that smartchip recovery was performed has run out of ink. Replace with a new S/C card.

Note

- [*] in the error message indicates the target ink slot.
- During smartchip recovery execution, the ink slot being recovered blinks in the ink status menu.

 ["Setup 16: Ink Status" P. 84](#)

Error requiring restart

An error requiring restart is displayed if a fatal operational failure such as the following occurs.

- When an obstacle that prevents printing occurs.
- When a problem occurs with the electrical circuit (PCB, motor, sensor, etc.) of the printer.
- When a failure in the printer control program occurs.

If an error requiring restart occurs, the printer stops operating after performing the following operations.

1. The drive power automatically shuts down.
2. All lamps on the front panel blink, and the buzzer rings continuously.
3. The error message is displayed on the front panel.

Pressing any key on the front panel stops the beeping.

For an error requiring restart, operation will return to normal after removing the cause of the error and restarting the printer.

If the same error continues to be displayed, contact the your local MUTOH dealer.

Be sure to tell us the code no. of the error message when you contact us.

Display	Description
E***Err []	<p>A problem that does not have a remedy has occurred.</p> <ol style="list-style-type: none">1. Remove obstacles such as paper scraps in the drive system.2. Confirm that the replaced items are correctly attached.3. Turn the power button off. Wait a short while, then turn the power button on, to restart the printer.


Note

- "****" in the error message is the code no. that indicates what type of error occurred.
- The command code representing the error occurred may be indicated in [].





Troubleshooting

This section describes undisplayed malfunctions and failures of the printer, possible causes and countermeasures.

Note

- The current status and error information of your printer can be checked from the Printer Status tab > Status Information on MSM.
If your printer is not operating correctly, check this Status Information first.
- Make sure to use the latest version of MSM.
To check the latest available version, go to Help > Version > Check for updates on MSM.
If old version is installed in your computer, download the latest version from MUTOH Club.
 MUTOH Status Monitor Operation Manual






Installation and initial setup troubleshooting

Description	Possible cause and Remedy
Cannot perform the initial inkcharging.	Is the front cover, or the maintenance cover open? <ul style="list-style-type: none"> • Close the front cover, or the maintenance cover.
	Is the media loading lever raised? <ul style="list-style-type: none"> • Lower the media loading lever.
	Are high-capacity ink pack adapters inserted all the way into the printer? <ul style="list-style-type: none"> • Make sure high-capacity ink pack adapters are all inserted properly.  "Replacing ink bag" P. 118
Ink does not come out after ink charging.	Is the ink bag too cold? <ul style="list-style-type: none"> • Leave the ink bag at room temperature for at least three hours, and perform cleaning several times.  "Head cleaning" P. 123
	Is the power turned OFF during ink charging? <ul style="list-style-type: none"> • Turn the power ON again and continue ink charging.
Nozzle missing occurs after initial ink charging.	Did you perform head cleaning? <ul style="list-style-type: none"> • Perform cleaning, then, check the print result.  "Head cleaning" P. 123 • If there is no improvement in the print result even after performing cleaning, leave the printer unused for an hour or more. Then perform cleaning or "Little Charge" again and check the print result. • If the problem still persists, contact your local Mutoh dealer.
MSM or RIP cannot access to the printer.	Is Ethernet cable connected correctly? <ul style="list-style-type: none"> • Securely connect the Ethernet cable to the Ethernet Port.
	Are the network settings configured correctly? <ul style="list-style-type: none"> • Configure the network settings correctly.
	Do the printer's network settings match the computer's settings? <ul style="list-style-type: none"> • Match this product's network settings with the computer side environment.  "Connecting to a Computer" P. 12, "Setup 23: IP Address" P. 88, "Setup 24: Subnet Mask" P. 88, "Setup 25: Gateway" P. 89

Boot-up troubleshooting

Symptom	Possible cause and Remedy
<p>Does not work at all after power activation /after loading the media.</p>	<p>Is the power cable connected to the plug?</p> <ul style="list-style-type: none"> • Connect the power cable.
	<p>Does the AC power supply provide the specified voltage?</p> <ul style="list-style-type: none"> • Connect the cable to another outlet.
	<p>Is the front cover, or the maintenance cover open?</p> <ul style="list-style-type: none"> • Close the front cover, or the maintenance cover.
	<p>Is the pressure rollers released?</p> <ul style="list-style-type: none"> • Lock the pressure rollers.
	<p>Is the media loaded correctly?</p> <ul style="list-style-type: none"> • Load the media correctly. 👉 "Loading a roll media" P. 22
	<p>Is the high-capacity ink pack adapter inserted?</p> <ul style="list-style-type: none"> • Insert the high-capacity ink pack adapter.
	<p>Do you use the printer within recommended environmental conditions?</p> <ul style="list-style-type: none"> • Make sure to use the printer within the specification range. 👉 "Ensuring a suitable place for installation" of the "Startup Guide"
	<p>Is there any error message displayed on MSM?</p> <ul style="list-style-type: none"> • Go to the Printer Status tab in MSM and check that if any error message is displayed in the Status Information.




Media-related troubleshooting



Symptom	Possible cause and Remedy
The media slips, is torn /crumpled during initialization.	Is the media loaded correctly? <ul style="list-style-type: none"> Load the media correctly.  "Loading a roll media" P. 22
	Are there any foreign materials such as torn paper attached to Pressure rollers? <ul style="list-style-type: none"> Clean Pressure rollers.  "Inside cleaning" P. 135
	Do you use the printer within recommended environmental conditions? <ul style="list-style-type: none"> Make sure to use the printer within the specification range.  "Ensuring a suitable place for installation" of the "Startup Guide"
	Are any curls or warps present on your media? <ul style="list-style-type: none"> Set the edge holder at both edges of the media. Check that you select the appropriate vacuum fan setting.  "After loading the media..." P. 29 , "7: Vacuum Fan" P. 74
	Are you using creased, damaged, torn or curled media? <ul style="list-style-type: none"> Replace the media.
	Is holddown pressure adequate for the roll media? <ul style="list-style-type: none"> Use the slide lock lever on the individual pressure rollers to reduce or cancel the pressure.  "Canceling or reducing pressure rollers individually" P. 41



Note

If the media is jammed or torn, remove it according to ["The media is jammed" P. 172](#)


Symptom	Possible cause and Remedy
The printer does not detect the media.	Is the media loaded correctly? <ul style="list-style-type: none"> Load the media correctly.  "Loading a roll media" P. 22
	Is the media loaded at an angle? <ul style="list-style-type: none"> Load the media straight.  "Loading a roll media" P. 22
	Do you use the printer within recommended environmental conditions? <ul style="list-style-type: none"> Make sure to use the printer within the specification range.  "Ensuring a suitable place for installation" of the "Startup Guide"
	Did you load the media which has been printed before? <ul style="list-style-type: none"> Use a new media.

Symptom	Possible cause and Remedy
Media jams frequently occur.	<p>Do you use the printer within recommended environmental conditions?</p> <ul style="list-style-type: none"> • Make sure to use the printer within the specification range. <p> "Ensuring a suitable place for installation" of the "Startup Guide"</p>
	<p>Are any curls or warps present on your media?</p> <ul style="list-style-type: none"> • Set the edge holder at both edges of the media. • Check that you select the appropriate vacuum fan setting. <p> "After loading the media..." P. 29, "Vacuum Fan" P. 74</p>
	<p>Are you using creased, damaged, torn or curled media?</p> <ul style="list-style-type: none"> • Replace the media.
















Note









If the media is jammed or torn, remove it according to ["The media is jammed" P. 172](#)

Symptom	Possible cause and Remedy
The media skews during printing.	<p>Is the media loaded correctly?</p> <ul style="list-style-type: none"> • Load the media correctly. <p> "Loading a roll media" P. 22</p>

Printing-related troubleshooting

Symptom	Possible cause and Remedy
The printer does not print.	<p>Is Ethernet cable connected correctly?</p> <ul style="list-style-type: none"> Securely connect the Ethernet cable to the Ethernet Port. <p> "Connecting to a Computer" P. 12</p>
	<p>Is there any error message displayed on MSM?</p> <ul style="list-style-type: none"> Go to the Printer Status tab in MSM and check that if any error message is displayed in the Status Information.
The carriage pauses at either side of the printer while printing.	<p>Does your computer meet the following requirements?</p> <ul style="list-style-type: none"> OS: Windows 11, Windows 10, Windows 8.1 CPU: Intel (R) Core (TM) i5 / i7 Memory: No less than 8G byte Network: <ul style="list-style-type: none"> Use a network port that supports Gigabit Ethernet, and an Ethernet cable that supports Category 6 Gigabit Ethernet or later.
	<p>Do you use a Gigabit Ethernet cable?</p> <ul style="list-style-type: none"> To connect your printer to your computer, use a Gigabit Ethernet cable Category 6 or later.
	<p>Is MPS enabled?</p> <ul style="list-style-type: none"> Check the status of MPS. <p> "Menu 8: MPS" P. 50</p> <p>When set to "On": Check that your computer (specification, CPU load), Ethernet cable (specification, connectivity) and network environment meet the requirements.</p> <p>When set to "Off": In MSM, the checkbox "MUTOH Print Server (MPS)" is unchecked or "MPS Optimization" is set to "Disable". Try enabling MPS in MSM.</p> <p> Note</p> <ul style="list-style-type: none"> MPS settings can be changed in MSM.
Smears or missing area partially appears on the prints.	<p>Are any curls or warps present on your media?</p> <ul style="list-style-type: none"> Set the edge holder at both edges of the media. Check that you select the appropriate vacuum fan setting. <p> "After loading the media..." P. 29, "*>7: Vacuum Fan" P. 74</p>
	<p>Does the printer heater deform your media?</p> <ul style="list-style-type: none"> If the heater deforms the media loaded to the printer before printing, go to the "Start Feed" menu to increase the media feeding amount. <p> "Setup 28: Start Feed" P. 90</p>
	<p>Does the media contain moisture or are you using the creased or wrinkled media?</p> <ul style="list-style-type: none"> Replace it with the new media.

Symptom	Possible cause and Remedy
The printing position is incorrect (some parts of the media cannot be printed on).	Is the media loaded correctly? <ul style="list-style-type: none"> Load the media correctly.  "Loading a roll media" P. 22
	Did you set up the origin? <ul style="list-style-type: none"> Cancel or reset the settings of the origin.  "Setup 8: Origin" P. 80
Printing is blurred.	Is the media printed on the printing surface? <ul style="list-style-type: none"> Check the printing surface of the media and set it correctly.
	Did you perform Print quality adjustment? <ul style="list-style-type: none"> Perform Print quality adjustment.  "***>2: Adjust Print>" P. 62
	Did you perform Media feed adjustment? <ul style="list-style-type: none"> Perform Media feed adjustment.  "***>3: PF Adjust" P. 68
White or black lines appear on printed media.	Is the media loaded correctly? <ul style="list-style-type: none"> Load the media correctly.  "Loading a roll media" P. 22
	Does the media contain moisture or are you using the creased or wrinkled media? <ul style="list-style-type: none"> Replace it with the new media.
	Are Nozzles in good condition? <ul style="list-style-type: none"> Perform Nozzle check. Then if nozzle missing is found, conduct cleaning.  "Nozzle check and cleaning" P. 31
	Did you perform Print quality adjustment? <ul style="list-style-type: none"> Perform Print quality adjustment.  "***>2: Adjust Print>" P. 62
	Did you perform Media feed adjustment? <ul style="list-style-type: none"> Perform Media feed adjustment.  "***>3: PF Adjust" P. 68

Symptom	Possible cause and Remedy
<p>Printing lines are not straight/ are duplicated or patchy.</p>	<p>Did you agitate ink in the bag?</p> <ul style="list-style-type: none"> When "Shake XX Cartridge" message appears on the operation panel, agitate ink in the bag.
	<p>Is Ink bag within the validity period?</p> <ul style="list-style-type: none"> Use a non-expired ink bag.
	<p>Are Nozzles in good condition?</p> <ul style="list-style-type: none"> Perform Nozzle check. Then if nozzle missing is found, conduct cleaning. <p> "Nozzle check and cleaning" P. 31</p>
	<p>Did you perform Print quality adjustment?</p> <ul style="list-style-type: none"> Perform Print quality adjustment. <p> "***>2: Adjust Print>" P. 62</p>
	<p>Did you perform Media feed adjustment?</p> <ul style="list-style-type: none"> Perform Media feed adjustment. <p> "***>3: PF Adjust" P. 68</p>
<p>Printed color is not accurate.</p>	<p>Did you agitate ink in the bag?</p> <ul style="list-style-type: none"> When "Shake XX Cartridge" message appears on the operation panel, agitate ink in the bag.
	<p>Did you install an ink bag on each high-capacity ink pack adapter with correct ink color of S/C card?</p> <ul style="list-style-type: none"> Check that the ink color written on S/C card matches the ink color of ink bag installed on each high-capacity ink pack adapter. If it does not match, perform "Longstore" to clean the print head and then perform initial ink charging.
	<p>Are Nozzles in good condition?</p> <ul style="list-style-type: none"> Perform Nozzle check. Then if nozzle missing is found, conduct cleaning. <p> "Nozzle check and cleaning" P. 31</p>
<p>Nozzle missing remains afterhead cleaning.</p>	<p>Is there any ink stains or deposits on the cleaning wiper or circumference of the print head?</p> <ul style="list-style-type: none"> Clean the cleaning wiper and circumference of the print head. <p> "Cleaning of cleaning wiper" P. 126, "Cleaning around the print head" P. 131</p>
	<p>Did you select an appropriate cleaning setting?</p> <ul style="list-style-type: none"> Cleaning Mode: If nozzle missing still persists after attempting Normal Cleaning or Long Cleaning two or three times, perform "Little Charge". <p> "Menu3: Cleaning" P. 98</p>
<p>Printed area does not dry completely.</p>	<p>Do you use the heaters of the printer?</p> <ul style="list-style-type: none"> Check the settings of heaters. <p> "***>5: Platen Heater" P. 73, "***>6: Dryer" P. 73</p>
	<p>Did you select an appropriate print mode?</p> <ul style="list-style-type: none"> Check that the print mode is set to the appropriate mode. <p> "***>1: Print Mode" P. 61</p>

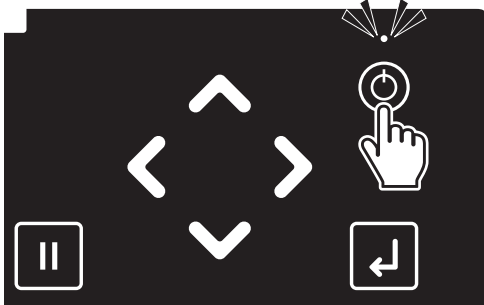
 Note

- If an image contains high ink density area, the area may not dry easily.
- Depending on the media being used, printed area may not dry easily.

The media is jammed

When the media is jammed in the printer, follow the procedure below to remove it.

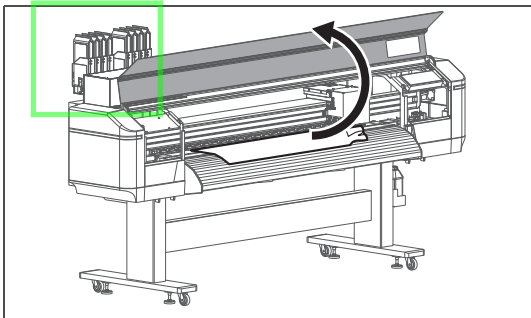
[1]



Long press the Power button.

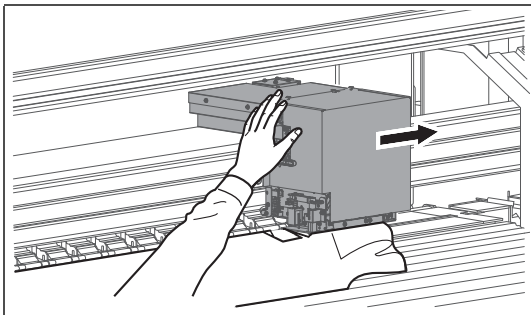
- This product starts its powering off operations.
- When the message "Power Off" appears on the panel, release the Power button.
- The Power LED lights off.

[2]



Open the front cover.

[3]



Move the carriage from the top of the media to the right.

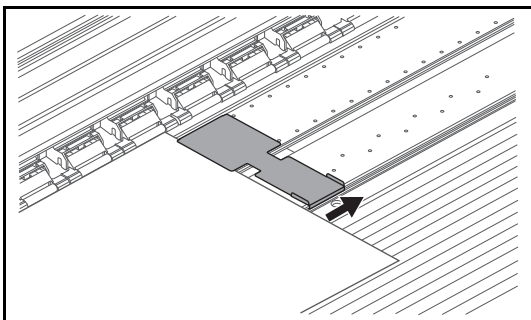
 **Important!**

When the head height is set to Low, change it to High and then shift Head.

After shifting Head, change the setting back to Low.

 ["Changing the Head Height" P. 39](#)

[4]

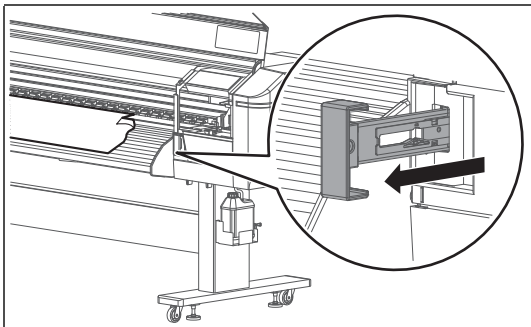


Slide the edge holder to the right to remove it from the media.

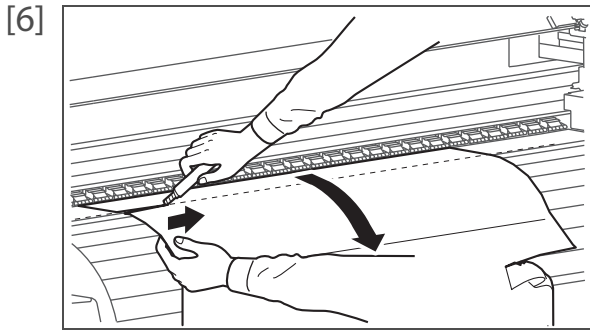
 **Important!**

If any deformation is found on the media holder, stop using it and contact your local MUTOH dealer.

[5]

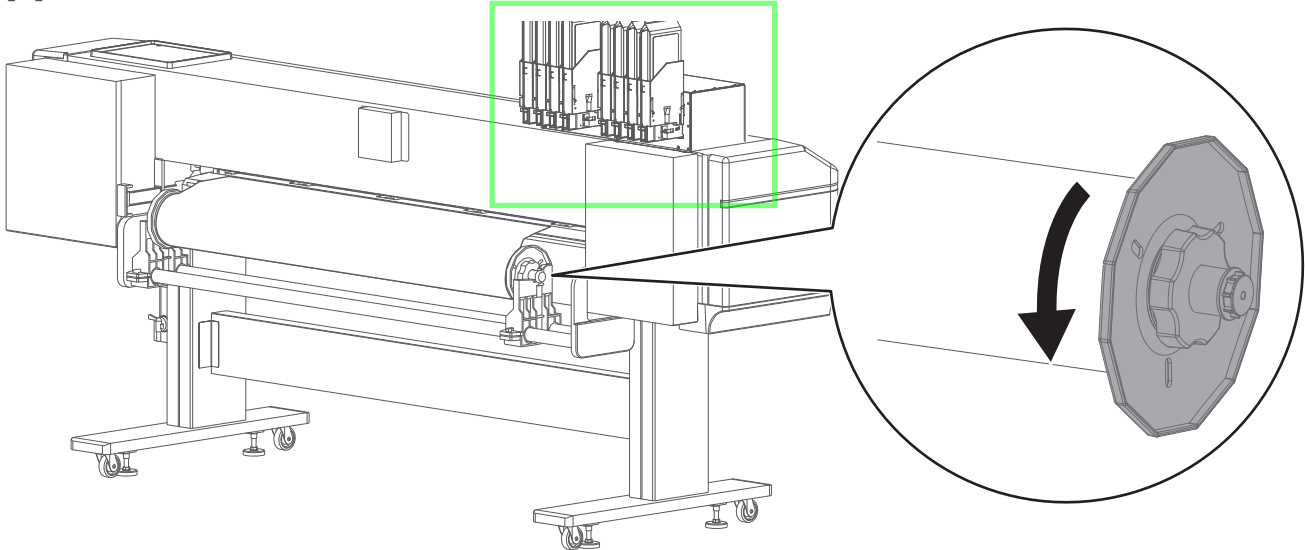


From the front side of the printer, pull the media feed lever towards you to release the pressure rollers.



[6] Pull the media towards you and use a cutter to cut the torn part of the media along the groove.

[7] Rewind the media a little by rolling Flange on the media holder.

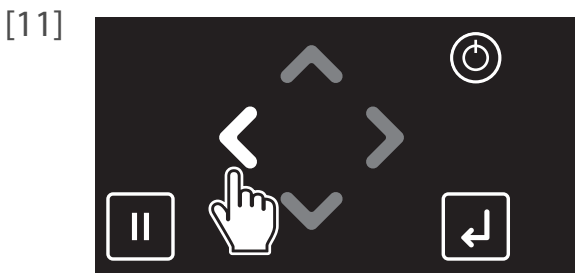


[8] If paper dust or pieces of paper remain inside the printer, remove them.

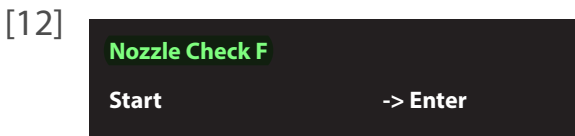
[9] Turn the printer ON.

[10] Load a roll media for Nozzle check.

["Loading a roll media" P. 22](#)



Tap .



Tap (Enter).

• The printer will print the nozzle check pattern.

[13] Check the nozzle check print to see all nozzles are clear.

- If you find missing or thin lines on the print, go to ["Cleaning steps" P. 32](#).
- If all lines are clearly printed, you can start printing.

Note



Specifications of this product

List of specifications

Model Name		XPJ-1682D
Print method		On demand piezo method
Drive method		Firmware servo/DC motor drive
Media feed method		Multipoint pressurizing Grid roller system
Media hold down system		Pressure roller down system by manual lever
Conditions of usable media	Media outer diameter	Φ150 mm or less
	Media core diameter	2 inches or 3 inches
	Weight	30 kg or less
	Width	500 mm to 1,625 mm
	Maximum thickness	0.3 mm (when the head height is set to Low) 1.3 mm (when the head height is set to Mid) 2.8 mm (when the head height is set to High)
Maximum Printable Width		1,615 mm
Maximum print length		1,500 m
Head height adjustment		Three-level adjustment of Low, Mid, and High
Interface		Gb-Ethernet (1000BASE-T)
Waste ink tank		2,000 ml tank is attached to the printer. Empty the tank when needed.
Ink	Color	7 colors (Black, Cyan, Magenta, Yellow, Light Cyan, Light Magenta, White)
	Type	300 ml / 1,000 ml ink bag

Environmental conditions	Printer Operation Environment	Temperature 20 to 32 °C, humidity 40 to 60% No condensation
	Recommended Printing Environment	Temperature 22 to 30 °C, humidity 40 to 60% No condensation
	Change rate	Temperature: No more than 2 °C per 1 hour Humidity: No more than 5% per 1 hour
	Printer Storage Environment	Storage without ink charging: up to 6 months Temperature -20 to +60 °C, humidity 20 to 80% No condensation Storage with ink charging: up to 1 week Temperature -10 to 40 °C, humidity 20 to 80% No condensation Storage up to 4 days maximum when stored between 32°C to 40°C.
Ink Storage Environment	<ul style="list-style-type: none"> • Black, Cyan, Magenta, Yellow, Light Cyan, Light Magenta, White (300 ml or 1,000 ml each) Temperature -20 to 40 °C Humidity 5 to 85%, No condensation Keep the product in a cool, dark and well ventilated area. Keep the product away from inflammable materials or heat source. Storage under 40°C should be within one month. <ul style="list-style-type: none"> • Cleaning bag (300 ml) Temperature -5 to 40 °C Humidity: up to 80%, No condensation Storage up to 6 months maximum when stored between -5 °C to 5 °C or 30 °C to 40 °C .	
Power supply specifications	Printer	Voltage: AC 100V to AC 120V ±10% / AC 200V to 240V ±10% Frequency: 50/ 60Hz ±1Hz Capacity: AC 100V to AC 120V: No less than 9 A AC 200V to AC 240V: No less than 6 A
	Heater	Voltage: AC 100V to AC 120V ±10% / AC 200V to 240V ±10% Frequency: 50/ 60Hz ±1Hz Capacity: AC 100V to AC 120V: No less than 10 A AC 200V to AC 240V: No less than 5 A
Power consumption	Power off	AC100V to 120V, 1.0 W or below AC200V to 240V, 3.8 W or below
	Standby	45 W or below
	Sleep Mode	30 W or below
	Operation	<ul style="list-style-type: none"> • Printer: 1100 W or below • Heater: 1200W or below

Current consumption	100V to 120V	<ul style="list-style-type: none"> • Printer: 9 A or below • Heater: 10 A or below
	200V to 240V	<ul style="list-style-type: none"> • Printer: 6 A or below • Heater: 5 A or below
Dimensions	Height	1,504 mm
	Width	2,770 mm
	Depth	895 mm
Weight	Main body	144 kg
	Stand	32 kg

Options / Supply list

For more information about the options and the supply items, contact your local MUTOH dealer.



**MUTOH strongly recommends to use genuine ink bags.
This printer is designed to bring out the best performance when using with the MUTOH genuine ink.
Non-MUTOH ink may cause print defects or damage to the printer.**

Revision History



Date	Version	Manual code	Supported Firmware
2022.3	ES	XPJ1682DE-A-ES	V.x.xx or later

MUTOH